

Universal Lighted License Plate Bracket Installation Instructions

Congratulations on your purchase of a high quality PUTCO product. Should you need any application or technical assistance feel free to call us at: 1-800-357-9261
Monday-Friday 8:00 a.m. - 5:00 p.m. (Central Standard Time)
Contact your PUTCO dealer for other quality accessories.

Please read all instructions before installation and to check to see that all parts are included.

KIT CONTENTS:	
Description	Qty.
Lighted License Plate Bracket	1
10" Luminix Bar	1
Switch	1
Wiring Harness	1
Luminix Wiring Instructions	1

Tools Needed:

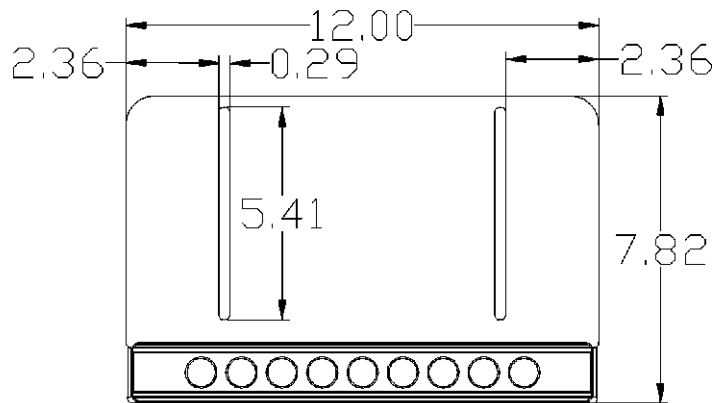
- Phillips or straight screwdriver

Light License Plate Bracket Installation

Verify that Lighted License Plate Bracket will fit on your vehicle before installation.

1. Remove lighted license plate bracket from packaging. Check to see if all parts from above table are included.
2. Remove license plate from vehicle using a screwdriver. Keep factory hardware, this will be used to reinstall license plate and bracket.
3. Place license plate on top of bracket with the light at the bottom of the license plate. Insert factory hardware through holes in license plate and lighted bracket. Mount back in factory hole on vehicle.

Refer to Wiring Installation on Light Bar Installation Instructions for wiring installation.



LIMITED 2 YEAR WARRANTY

Putco guarantees its Stainless Steel and Aluminum products against defects in workmanship and material for as long as you own your vehicle. All painted products have a 90 day warranty on the painted surface. Any defects resulting from faulty material or workmanship will be warranted by Putco and repaired or replaced at our discretion. Putco assumes no extra labor costs. Damages caused by freight carriers, improper installation, misuse, collision, or neglect will not be warranted by Putco.