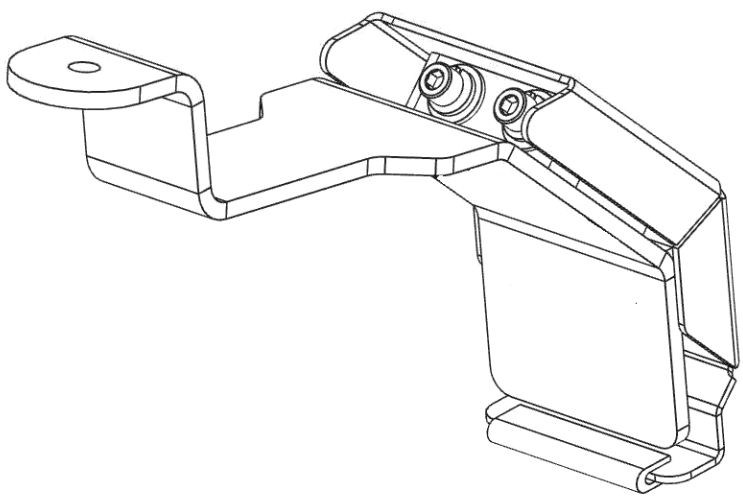


GO RHINO®

INSTALLATION INSTRUCTIONS

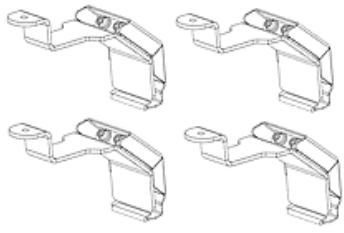
PRODUCT DESCRIPTION:

- SRM GUTTER MOUNT KIT

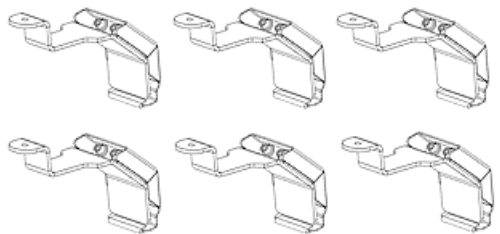


PART NO.

- 5910010T - (4) PIECES SRM GUTTER MOUNT KIT

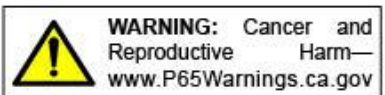


- 5910011T - (6) PIECES SRM GUTTER MOUNT KIT



PRODUCT SAFETY & LEGAL DISCLAIMER

- **IMPORTANT READ ALL INSTRUCTIONS CAREFULLY BEFORE INSTALLING, FAILURE TO DO SO MAY CAUSE PERSONAL INJURY OR DAMAGE TO PRODUCT AND/OR PROPERTY.**
- **Review the product package and contents prior to beginning the installation.** Take care when opening the packaging and removing items. If a return is needed you will want to return the product in its original packaging if possible.
- This instruction guide is provided as a GENERAL installation guide, some vehicles vary dimensionally and may require additional steps.
- Test fit the product on the vehicle prior to any third party modifications and or finishing. The manufacturer and/or distributors do not accept responsibility for third party charges, labor and or third part replacement modifications. Some modifications may void the factory warranty.
- Exercise due-diligence when installing this product. The manufacturer and distributors of this product do not accept any responsibility for vehicle damage or personal injury resulting from the installation of this product. Careless installation and operation can result in serious injury or equipment damage.
- This product is for general off-road use. All liability for installation and use rests with the owner/operator.
- **INSTALLER:** Once installation is complete, please return this guide along with other documentation included in this product back to the consumer for future reference. The manufacturer/distributors of this product do not guarantee this particular version will be available at a later date.



© 2016 Go Rhino Products. All rights reserved

www.gorhino.com 589 W. Apollo St., Brea, CA 92821 P: 888 427 4466



INSTALLATION INSTRUCTIONS

INJURY HAZARD

Please complete a shop and tool inspection prior to beginning the installation.

- Always make sure you have a clean, dry and well lit work area.
- Always remove jewelry, loose fitting clothing and wear protective gloves and eye protection.
- Always use extreme caution when jacking or raising a vehicle for work. Set the emergency brake and use tire/wheel blocks and jack stands. Refer to the vehicle manufacturer hand book. Utilize the vehicle manufacturers designated lifting points.
- Always use appropriate and adequate care in lifting parts during disassembly and installation. Seek help in lifting heavy or large items into place. Utilize jacks and or lifting devices when available.
- Always insure products are secure during disassembly and installation.
- Always wear eye protection and take steps to protect any exposed skin during the installations. Drilling, cutting and grinding plastic and metal may create flying particles that can cause injury.
- Always use extreme caution when drilling, cutting and or grinding on a vehicle. Thoroughly inspect the area to be drilled, on both sides of material, prior to modification and relocate any objects that may become damaged.
- Always assemble and tighten all fasteners per the installation instructions.
- Always route electrical cables carefully. Avoid moving parts, parts that may become hot and rough or sharp edges.
- Always insulate and protect all exposed wiring and electrical connections.

MAINTENANCE AND CARE

- Always perform regular inspections and maintenance on mounts and related fasteners.
- Periodically check and tighten all fasteners.
- Stripped, fractured, or bent fasteners must be replaced.
- After washing the vehicle make sure to fully dry all surfaces.
- In areas with cold temperatures make sure to wash the product often to remove harmful materials used on road ways.
- Never use abrasive cleaners or polish compounds. Clean with a gentle soap and water. If you use wax use a non-abrasive automotive wax such as pure carnauba wax.

WARNING

Some products have been designed to work together with factory rear sensor systems, factory forward facing sensor systems and factory air bags.

- Installation of some of these products may alter the factory sensor system performance.
- Factory sensors may read shackles or hooks protruding from the fairlead and or tow hooks.
- All sensor testing is completed by Go Rhino Products and or third party testing labs on modified vehicles.
- Sensor sensitivity, factory sensor housing, orientation, and operating conditions are all variables that will influence functionality of the sensors.
- Installation of some product may effect the factory air bag systems.
- Some products allow the use of third party products such as winches, shackles, hooks, etc. Follow the respective manufacturers operating instructions for use with our products.
- Make sure to fully understand the product, it's intended use and operation prior to use.
- Above all... be safe!

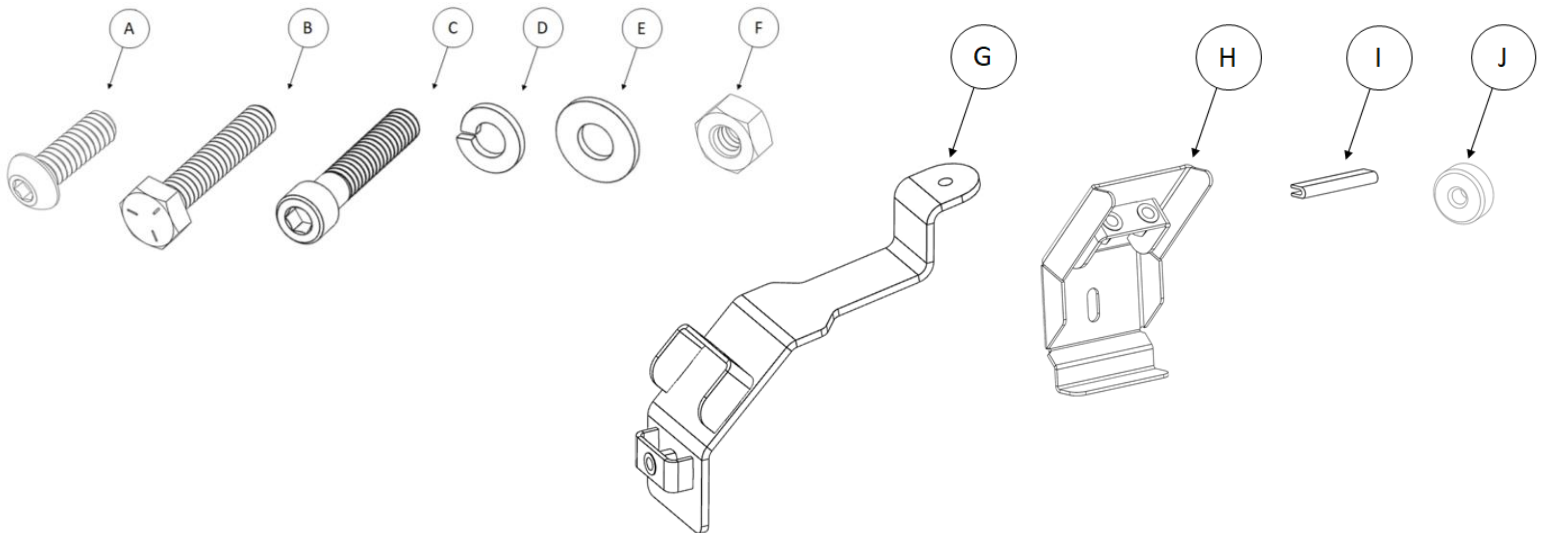
GO RHINO®

INSTALLATION INSTRUCTIONS

PARTS INCLUDED IN THIS LIST:

ITEM	QTY.	PART #	DESCRIPTION	ITEM	QTY.	PART #	DESCRIPTION
A	4	AST-T835G4	1/4" x 3/4" Button Head Screw	F	4	AST-TU119G4	1/4" Hex Nut
B	4	AST-T589G4	1/4" x 1 1/4" Hex Head Screw	G	4	59100100AA	Gutter Mount Bracket
C	8	AST-T916G4	1/4" x 1 1/4" Socket Head Screw	H	4	59100100BA	Clamp Bracket
D	16	AST-RPR70G4	1/4" Lock Washer	I	4	ASH-E192	Edge Trim
E	16	AST-RP1117G4	1/4" Flat Washer	J	4	ASM-59100108AA	Spacer
5910010T							

ITEM	QTY.	PART #	DESCRIPTION	ITEM	QTY.	PART #	DESCRIPTION
A	6	AST-T835G4	1/4" x 3/4" Button Head Screw	F	6	AST-TU119G4	1/4" Hex Nut
B	6	AST-T589G4	1/4" x 1 1/4" Hex Head Screw	G	6	59100100AA	Gutter Mount Bracket
C	12	AST-T916G4	1/4" x 1 1/4" Socket Head Screw	H	6	59100100BA	Clamp Bracket
D	24	AST-RPR70G4	1/4" Lock Washer	I	6	ASH-E192	Edge Trim
E	24	AST-RP1117G4	1/4" Flat Washer	J	6	ASM-59100108AA	Spacer



Go Rhino recommends you, the installer, read this installation instruction manual from front to back before installing the product. You may also [click here](http://www.gorhino.com/Installation-Videos) to view an installation video or visit <http://www.gorhino.com/Installation-Videos>.

TOOLS NEEDED FOR INSTALLATION:

- 5/32" & 3/16" Hex Key
- 7/16" Socket
- 7/16" Wrench
- Ratchet
- Tape Measure

ESTIMATED TIME FOR INSTALLATION:

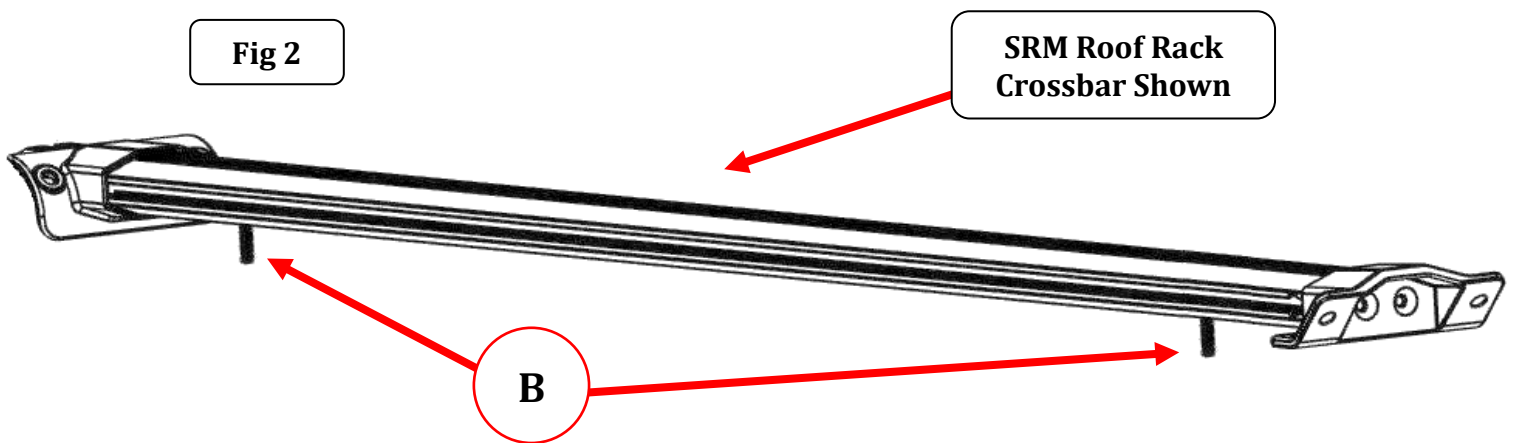
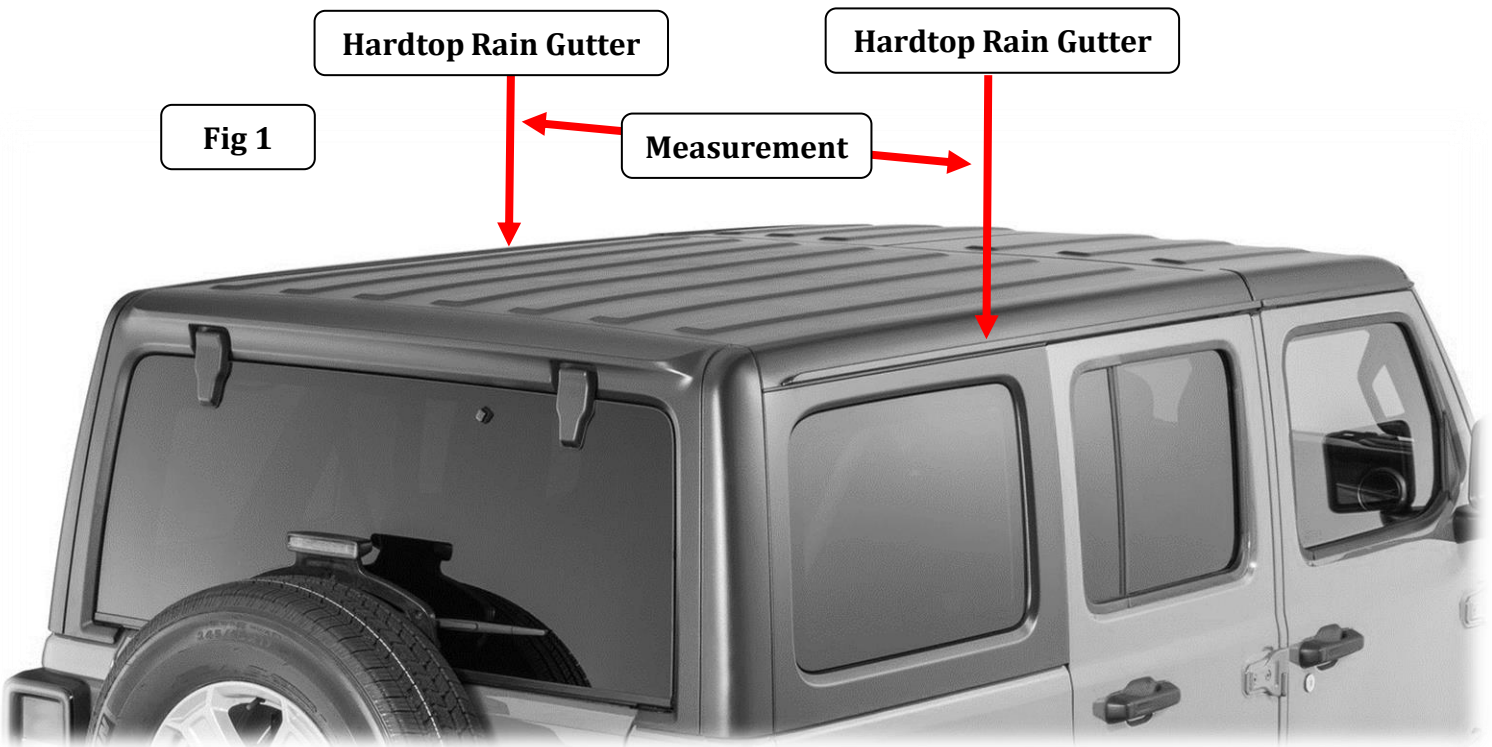
1 Hour

If you need installation service for your new product, call the authorized distributor from whom you purchased the product or an authorized installation service company which can be found by calling toll free 1-888-427-4466

GO RHINO®

INSTALLATION INSTRUCTIONS

Step-1 Measure the distance between the center of the hardtop rain gutters and subtract $7\frac{3}{4}$ " from the measurement for each side, (Fig 1). Reference the difference measurement and position (2) $1\frac{1}{4}$ " x $1\frac{1}{4}$ " hex head screws in the channel side of the SRM Roof Rack crossbars that will be facing down and align with each gutter mount bracket, (Fig 2).



Step-2 Fully assemble the SRM Roof Rack.

GO RHINO®

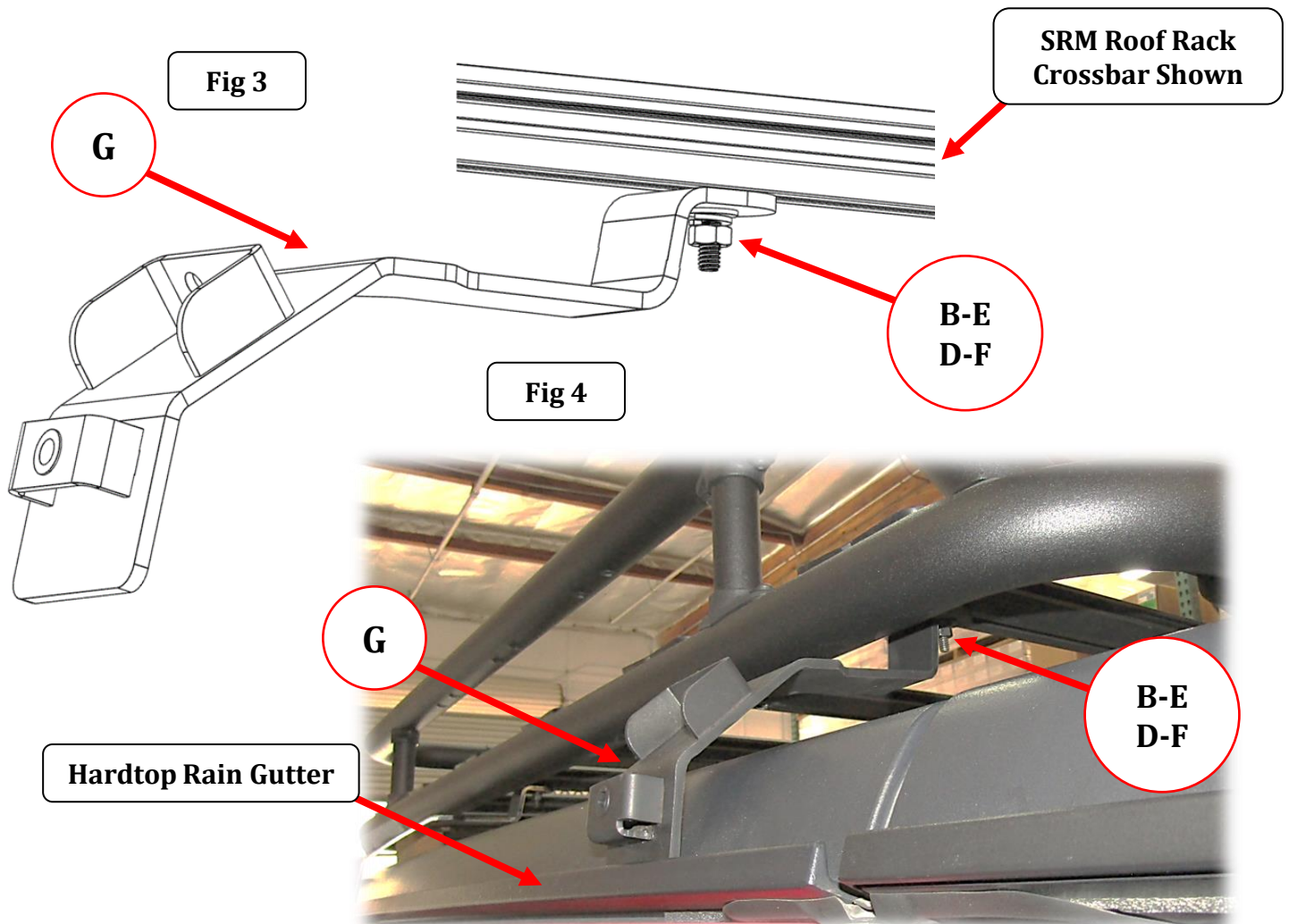
INSTALLATION INSTRUCTIONS

Step-3 With assistance, place the SRM Roof Rack in the desired position on the vehicle hardtop and use wooden blocks (or similar) to space the SRM Roof Rack off of the hardtop at the approximate height of the gutter mount brackets. Warning: To prevent bodily injury or damage to the vehicle, ensure the SRM Roof Rack will remain securely in place during the gutter mount bracket installation process. Note: When positioning the SRM Roof Rack, leave adequate room for removal of the hardtop Freedom Panels.

Step-4 With the SRM Roof Rack in place, position each gutter mount bracket over the rain gutter and attach the gutter mount brackets to the SRM Roof Rack crossbars using the previously installed 1/4" x 1 1/4" hex bolts in the crossbars, together with 1/4" flat washers, 1/4" lock washers and 1/4" hex nuts, (Fig 3). Snug but do not tighten the hex nuts.

Note: Installation is optional of Item (J) spacer, between the crossbars and gutter mount brackets to increase the SRM Roof Rack height.

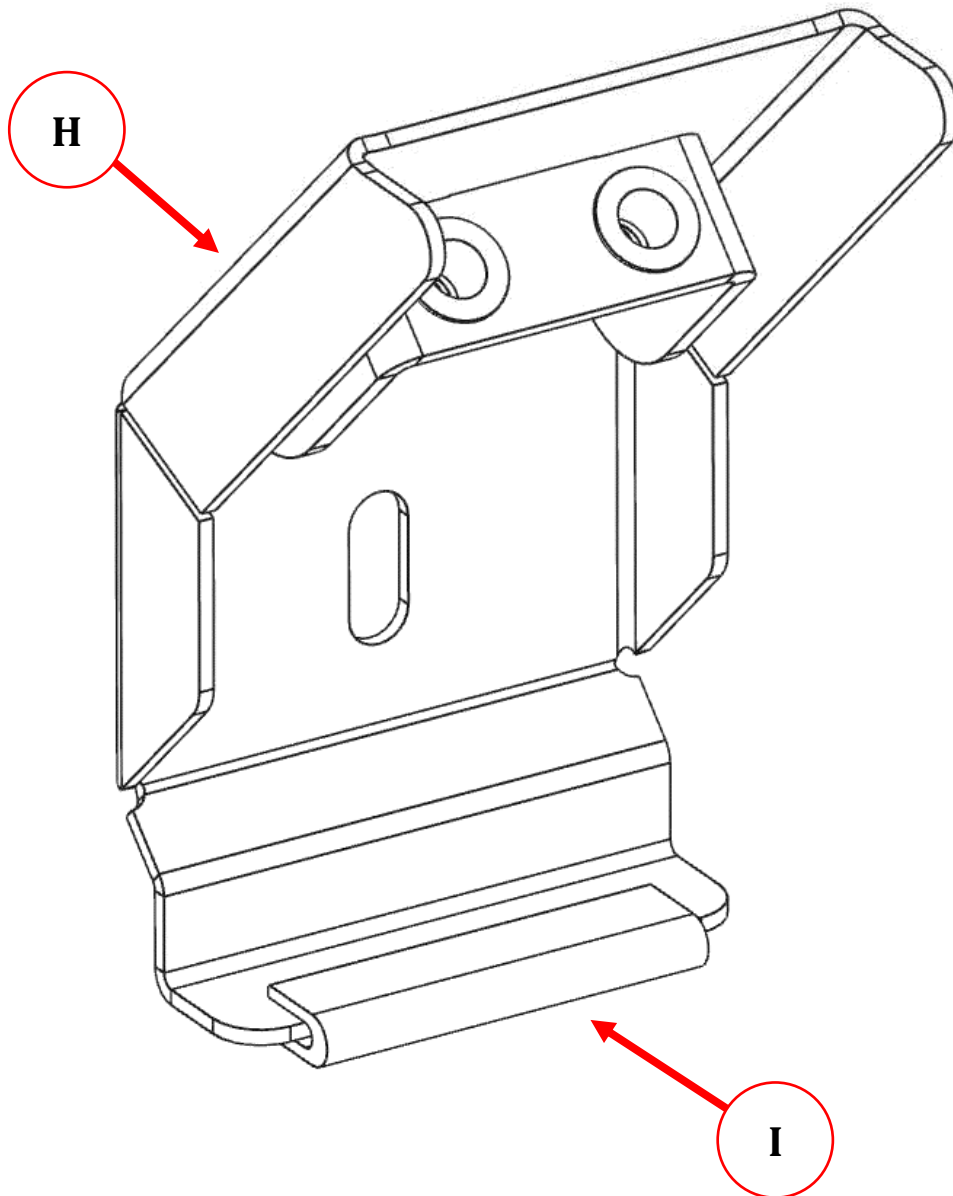
Step-5 With assistance remove the blocks, and lower the SRM Roof Rack so the base of the clamp brackets are positioned in the channel of hardtop rain gutter, (Fig 4).



GORRHINO[®]

INSTALLATION INSTRUCTIONS

Step-6 Apply the plastic edge trim to the bottom edge of the gutter mount brackets. Apply firm pressure on the edge trim for about 30 seconds, as the adhesive needs to bond with the mounting surface.

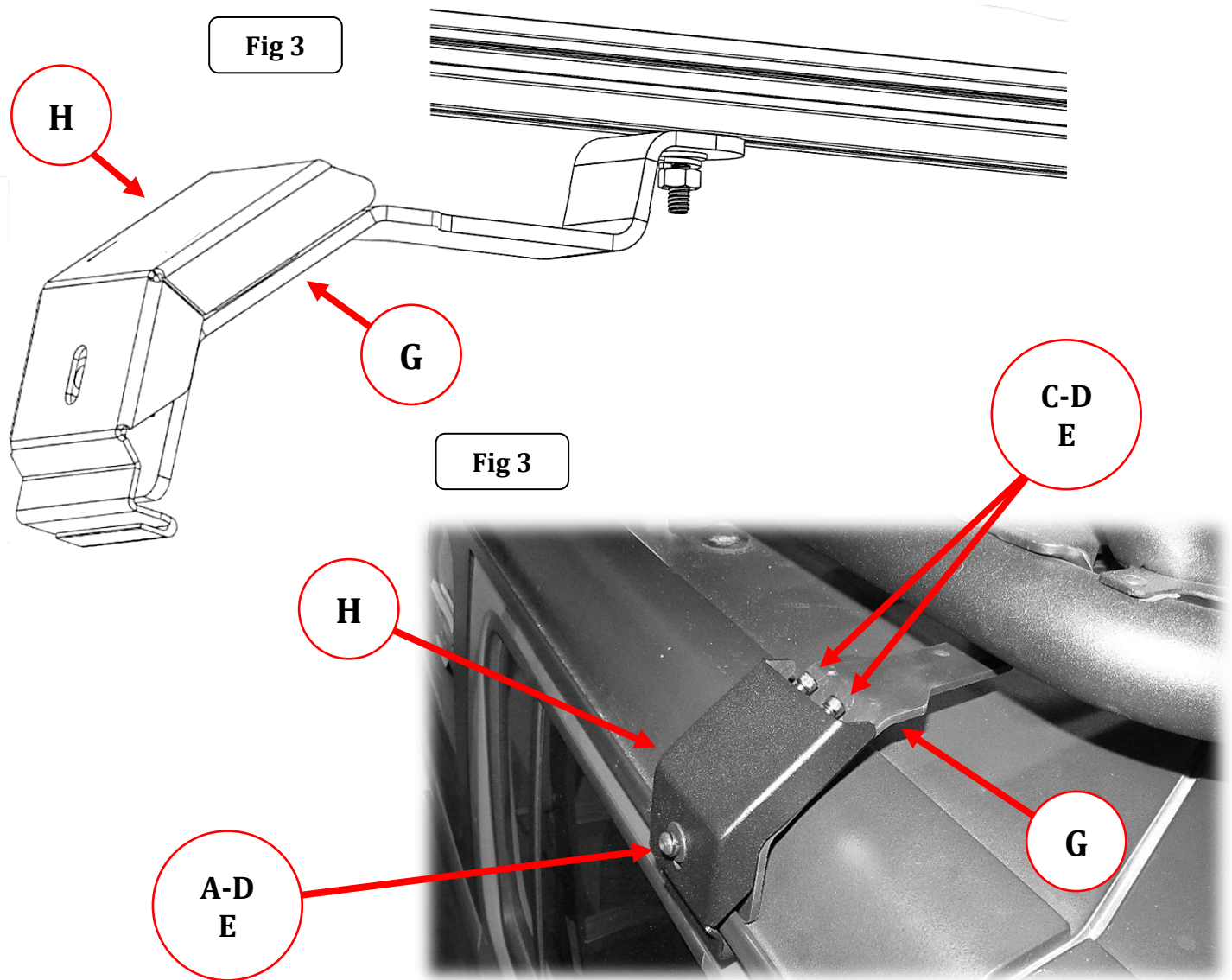


GORRHINO®

INSTALLATION INSTRUCTIONS

Step-7 Position the clamp bracket on the gutter mount bracket. Align the holes in the clamp bracket with the rive-nuts installed in the gutter mount bracket, and attach the top of clamp bracket to the gutter mount bracket using (2) 1/4" x 1 1/2" socket head screws, (2) 1/4" flat washers and (2) 1/4" lock washers. Attach the clamp bracket to the side of the gutter mount bracket using (1) 1/4" x 3/4" button head hex drive screw, (1) 1/4" flat washer and (1) 1/4" lock washer. Snug but do not tighten the screws.

Step-8 Tighten all nuts and screws securing the gutter mount brackets to the SRM Roof Rack then tighten all screws securing the clamp brackets to the gutter mount brackets.





INSTALLATION INSTRUCTIONS

LIMITED WARRANTY

Go Rhino warrants to Buyer that for a period of five (5) years from the date of shipment of the product(s) ("Warranty Period") for black finishes and chrome finishes, that such products will materially conform to the specifications set forth in Go Rhino's specifications in effect as of the date of shipment(s) and will be free from material defects in material workmanship.

Go Rhino warrants to Buyer that for the life of the product(s) from the date of shipment of the product(s) ("Warranty Period") for polished stainless steel finished products purchased after April 2004, that such products will materially conform to the specifications set forth in Go Rhino's specifications in effect as of the date of shipments and will be free from material defects in material workmanship.

Warranty claims must be accompanied with the original invoice and photos of the product. It is the customer's responsibility to clean regularly and protect finish with regular applications of a nonabrasive polish that is compatible with the product's finish.

This warranty covers the cost of the product only and does not include the cost of removal, installation, third party modifications or shipping of the product. In no event shall Go Rhino be liable to buyer or any third party for any damage or harm caused by the product or use thereof, regardless of weather such damages were foreseeable and whether or not Go Rhino has been advised of the possibility of such damages, not withstanding the failure of any agreed or other remedy of its essential purpose. This warranty is void if the product shows signs of alteration, misuse, mishandling, improper care, neglect, improper application and/or damage due to improper installation.

With respect to any such product(s) during the limited warranty period, Go Rhino shall, in its sole discretion, either: (i) provide a one-time repair or replacement of such products (or the defective part) or (ii) credit or refund the price of such products at the pro rata contract rate provided that, if Go Rhino so requests, Buyer shall, at Go Rhino's expense, return such product(s) to Go Rhino. The remedies shall be the Buyer's sole and exclusive remedy and Go Rhino's entire liability for any breach of the limited warrant(ies).

Go Rhino disclaims all other warranties except to the extent that any such warranty cannot be validly disclaimed under applicable law.

Finish Limited Warranty:

Limited lifetime on stainless steel products (after April 2004)
5 year warranty on black powder coat products
5 year warranty on chrome products
This warranty does not cover exposed welds

Finish warranty covers peeling, flaking, or cracking. Washing all finishes regularly with car wash soap and rinsing well with water is the best method for maintaining the finish on your products. You must also protect the finish with nonabrasive automotive wax on a regular basis. The use of any compound which contains abrasives becomes a self-defeating exercise as the compound scratches the finish and opens it to corrosion. The use of harsh chemicals used to remove bugs and tar may also cause the finish to fail and should be avoided.

If you are unsatisfied with your purchase please contact the establishment you purchased the product from.

If you need to place a warranty claim or need assistance, the Go Rhino customer service team will answer any questions you may have. Please contact the Go Rhino customer service team at 1-888-427-4466 during normal business hours Monday thru Friday 7 am to 5 pm PST. You may also email warranty@gorhino.com. In order to better serve you please provide a copy of the original invoice / receipt, a photo of the issue you are experiencing and a photo of the vehicle the product is installed on.

All warranty returns must have an approved RGA number. The RGA number must be clearly marked on the exterior of the return package. All approved warranty returns must be shipped to Go Rhino Products, 1002 Carriers Drive, Laredo, Texas 78045.

PRODUCT REGISTRATION

Please remember to register your new purchase. You may register your product at www.gorhino.com. Registering your product may help speed any future warranty or customer service inquiries.

Thank you again for purchasing from Go Rhino Products

Please take a few minutes to view additional products for your vehicle and more at GORRHINO.com
These installation instructions are available on the Go Rhino web site along with installation videos for many of our products.

www.gorhino.com

www.bigcountryauto.com

www.gorhinopd.com