

RFM1 Hardware Contents:

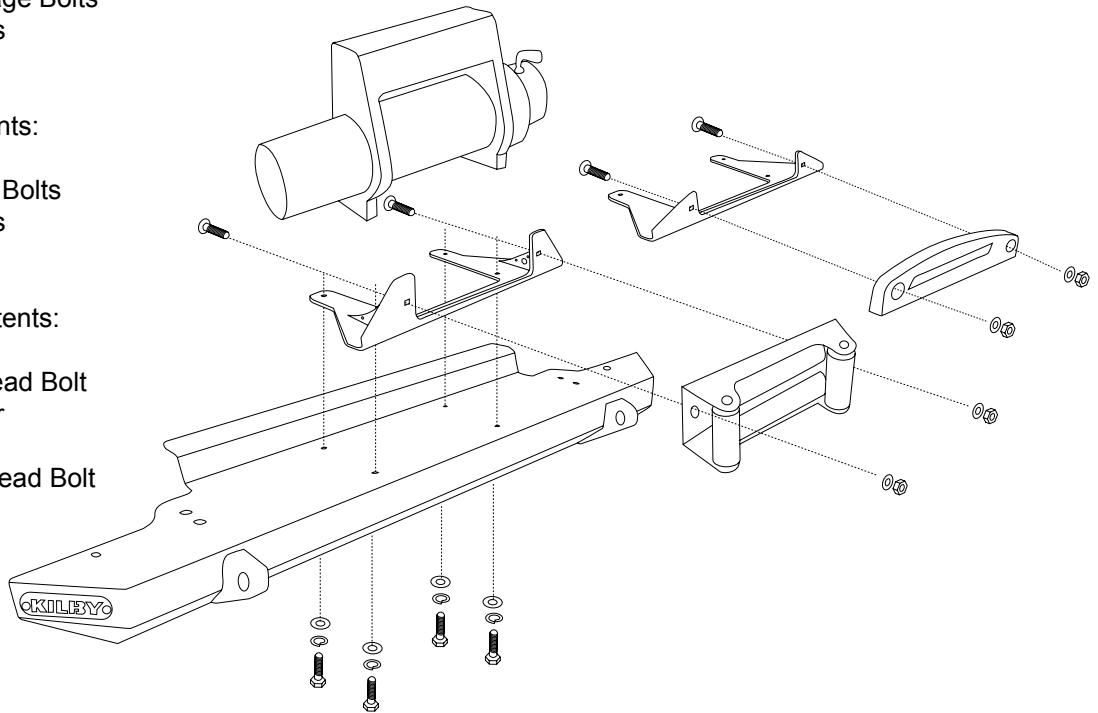
- (2) 1/2 x 1.25" Carriage Bolts
- (2) 1/2" Flat Washers
- (2) 1/2" Nut

RFM2 Hardware Contents:

- (2) 3/8 x 1" Carriage Bolts
- (2) 3/8" Flat Washers
- (2) 3/8" Nuts

Bumper Hardware Contents:

- (4) 3/8 x 1.5" Hex Head Bolt
- (4) 3/8" Lock Washer
- (4) 3/8" Flat Washer
- (6) 1/2" x 1.25" Hex Head Bolt
- (6) 1/2" Flat Washer



If mounting a winch using KE's RFM1 or RFM2 fairlead mounts, start with step 1. If you are not mounting a winch at this time, proceed to step 3.

- 1 The RFM1 and RFM2 mounts between the top of the bumper and the bottom of the winch. Insert the roller fairlead or hawse bolts through the RFM with the head of the bolt towards the winch. You can either hold the bolts with a nut or mount the fairlead or hawse at this time. The bolts should be provided with the RFM.
- 2 Set the RFM on the bumper and set the winch on the RFM.
3. Using the 3/8 x 1.5" bolts provided, install all 4 winch bolts, lock washers and flat washers finger tight. Securely tighten only the two FRONT bolts at this time and remove the rear two bolts.
4. Chose your routing method for the winch cables and set the bumper/RFM/Winch combo on the Jeep and secure with the six 1/2" bolts and flat washers provided. If installing our gear box skid plate, using the hardware provided with that unit, follow those directions for installation at this time.
5. Install the two rear winch bolts using the lock washers and flat washers and secure.
6. Route all winch cable away from sharp edges and moving parts and enjoy your new bumper.

Thanks for buying a Kilby Enterprises product!

