

1/10th SCALE READY-TO-RUN

SCX-10™ II JEEP GLADIATOR



INSTRUCTION MANUAL
BEDIENUNGSANLEITUNG
MANUEL D'UTILISATION
MANUALE DI ISTRUZIONI

NOTICE

All instructions, warranties and other collateral documents are subject to change at the sole discretion of Horizon Hobby, LLC. For up-to-date product literature, visit horizonhobby.com or towerhobbies.com and click on the support or resources tab for this product.


MEANING OF SPECIAL LANGUAGE

The following terms are used throughout the product literature to indicate various levels of potential harm when operating this product:

WARNING: Procedures, which if not properly followed, create the probability of property damage, collateral damage, and serious injury OR create a high probability of superficial injury.

CAUTION: Procedures, which if not properly followed, create the probability of physical property damage AND a possibility of serious injury.

NOTICE: Procedures, which if not properly followed, create a possibility of physical property damage AND a little or no possibility of injury.

 **WARNING:** Read the ENTIRE instruction manual to become familiar with the features of the product before operating. Failure to operate the product correctly can result in damage to the product, personal property and cause serious injury.

This is a sophisticated hobby product. It must be operated with caution and common sense and requires some basic mechanical ability. Failure to operate this Product in a safe and responsible manner could result in injury or damage to the product or other property. This product is not intended for use by children without direct adult supervision. Do not use with incompatible components or alter this product in any way outside of the instructions provided by Horizon Hobby, LLC. This manual contains instructions for safety, operation and maintenance. It is essential to read and follow all the instructions and warnings in the manual, prior to assembly, setup or use, in order to operate correctly and avoid damage or serious injury.

Age Recommendation: Not for children under 14 years. This is not a toy.

SAFETY PRECAUTIONS AND WARNINGS

As the user of this product, you are solely responsible for operating in a manner that does not endanger yourself and others or result in damage to the product or property of others.

This model is controlled by a radio signal subject to interference from many sources outside your control. This interference can cause momentary loss of control, so it is advisable to always keep a safe distance in all directions around your model as this margin will help avoid collisions or injury.

- Never operate your model with low transmitter batteries.
- Always operate your model in open spaces away from full-size vehicles, traffic and people.
- Never operate the model in the street or in populated areas for any reason.
- Carefully follow the directions and warnings for this and any optional support equipment (chargers, rechargeable battery packs, etc.) you use.
- Keep all chemicals, small parts and anything electrical out of the reach of children.
- Never lick or place any portion of the model in your mouth as it could cause serious injury or even death.
- Exercise caution when using tools and sharp instruments.
- Take care during maintenance as some parts may have sharp edges.
- Immediately after using your model, do NOT touch equipment such as the motor, electronic speed control and battery, because they generate high temperatures. You may burn yourself seriously touching them.
- Do not put fingers or any objects inside rotating and moving parts, as this may cause damage or serious injury.
- Always turn on your transmitter before you turn on the receiver in the car. Always turn off the receiver before turning your transmitter off.
- Keep the wheels of the model off the ground when checking the operation of the radio equipment.

 **WARNING AGAINST COUNTERFEIT PRODUCTS:** Always purchase from a Horizon Hobby, LLC authorized dealer to ensure authentic high-quality Spektrum product. Horizon Hobby, LLC disclaims all support and warranty with regards, but not limited to, compatibility and performance of counterfeit products or products claiming compatibility with DSM® or Spektrum technology.

TABLE OF CONTENTS


Water-Resistant Vehicle With Waterproof Electronics.....	3	Vehicle Maintenance	9
Box Contents.....	4	Spektrum Receiver/Esc Combo.....	10
Required Equipment	4	Gear Ratios.....	10
Recommended Tools	4	Troubleshooting.....	11
Getting Started Checklist.....	5	Limited Warranty.....	12
Vehicle Parts.....	5	Warranty And Service Contact Information.....	12
Charge The Vehicle Battery	6	FCC Information.....	13
Install The Transmitter Batteries.....	6	IC Information.....	13
Transmitter Functions.....	6	Compliance Information For The European Union	13
Adjusting The Vehicle Battery Tray.....	7	Exploded Views.....	50
Install The Vehicle Battery	7	Parts Lists.....	57
Binding.....	8	Optional Parts.....	60
Range-Checking The Radio System	8	Electronics	60
Using The Dig Transmission.....	8	Notes.....	60

WATER-RESISTANT VEHICLE WITH WATERPROOF ELECTRONICS

Your new Horizon Hobby vehicle has been designed and built with a combination of waterproof and water-resistant components to allow you to operate the product in many "wet conditions," including puddles, creeks, wet grass, snow and even rain.

While the entire vehicle is highly water-resistant, it is not completely waterproof and your vehicle should NOT be treated like a submarine. The various electronic components used in the vehicle, such as the Electronic Speed Control (ESC), servo(s) and receiver are waterproof, however, most of the mechanical components are water-resistant and should not be submerged.

Metal parts, including the bearings, hinge pins, screws and nuts, as well as the contacts in the electrical cables, will be susceptible to corrosion if additional maintenance is not performed after running in wet conditions. To maximize the long-term performance of your vehicle and to keep the warranty intact, the procedures described in the "Wet Conditions Maintenance" section below must be performed regularly if you choose to run in wet conditions. If you are not willing to perform the additional care and maintenance required, then you should not operate the vehicle in those conditions.

 **CAUTION:** Failure to exercise caution while using this product and complying with the following precautions could result in product malfunction and/or void the warranty.


GENERAL PRECAUTIONS

- Read through the wet conditions maintenance procedures and make sure that you have all the tools you will need to properly maintain your vehicle.
- Not all batteries can be used in wet conditions. Consult the battery manufacturer before use. Caution should be taken when using Li-Po batteries in wet conditions.
- Most transmitters are not water-resistant. Consult your transmitter's manual or the manufacturer before operation.
- Never operate your transmitter or vehicle where lightning may be present.
- Do not operate your vehicle where it could come in contact with salt water (ocean water or water on salt-covered roads), contaminated or polluted water. Salt water is very conductive and highly corrosive, so use caution.

- Even minimal water contact can reduce the life of your motor if it has not been certified as water-resistant or waterproof. If the motor becomes excessively wet, apply very light throttle until the water is mostly removed from the motor. Running a wet motor at high speeds may rapidly damage the motor.
- Driving in wet conditions can reduce the life of the motor. The additional resistance of operating in water causes excess strain. Alter the gear ratio by using a smaller pinion or larger spur gear. This will increase torque (and motor life) when running in mud, deeper puddles, or any wet conditions that will increase the load on the motor for an extended period of time.

WET CONDITIONS MAINTENANCE

- Drain any water that has collected in the tires by spinning them at high speed. With the body removed, place the vehicle upside down and pull full throttle for a few short bursts until the water has been removed.

 **CAUTION:** Always keep hands, fingers, tools and any loose or hanging objects away from rotating parts when performing the above drying technique.

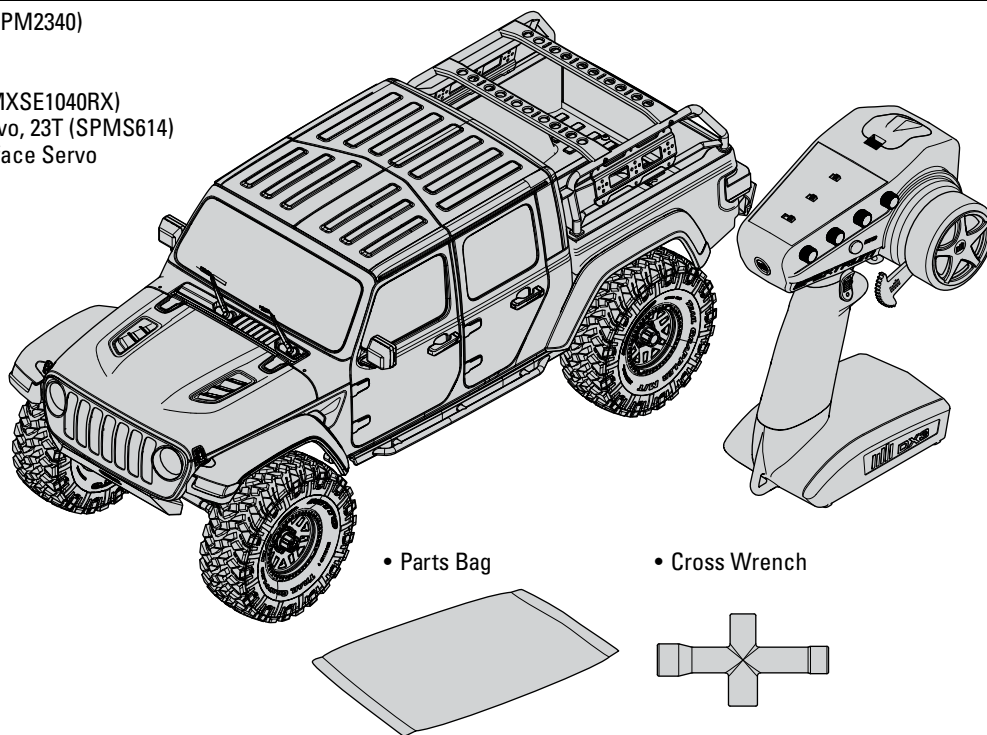
- Remove the battery pack(s) and dry the contacts. If you have an air compressor or a can of compressed air, blow out any water that may be inside the recessed connector housing.
- Remove the tires/wheels from the vehicle and gently rinse the mud and dirt off with a garden hose. Avoid rinsing the bearings and transmission.

NOTICE: Never use a pressure washer to clean your vehicle.

- Use an air compressor or a can of compressed air to dry the vehicle and help remove any water that may have gotten into small crevices or corners.
- Spray the bearings, drive train, fasteners and other metal parts with a water-displacing light oil. Do not spray the motor.
- Let the vehicle air dry before you store it. Water (and oil) may continue to drip for a few hours.
- Increase the frequency of disassembly, inspection and lubrication of the following:
 - Front and rear axle hub assembly bearings.
 - All transmission cases, gears and differentials.
 - Motor—clean with an aerosol motor cleaner and re-oil the bushings with lightweight motor oil.

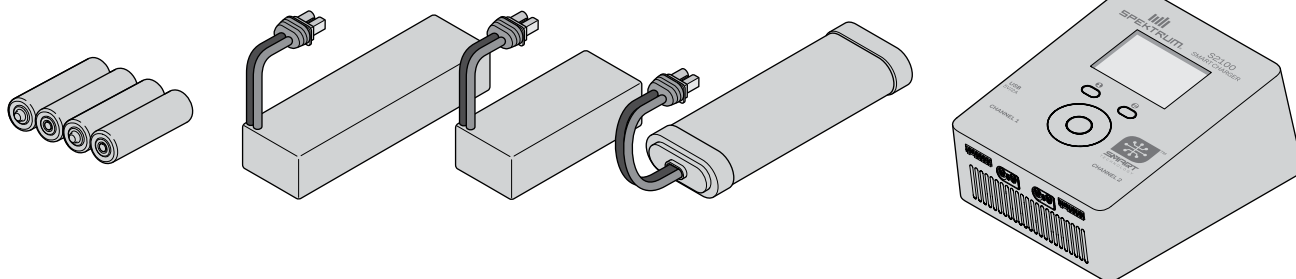
BOX CONTENTS

- Spektrum™ DX3™ 2.4GHz Transmitter (SPM2340)
- SCX10™ III Jeep Gladiator RTR
 - 35T Electric Motor (AX31312)
 - Spektrum Receiver/ESC Combo (SPMXSE1040RX)
 - Water Proof Metal Gear Surface Servo, 23T (SPMS614)
 - SX107 Micro Analog Metal Gear Surface Servo (For dig function) (SPMSSX107)

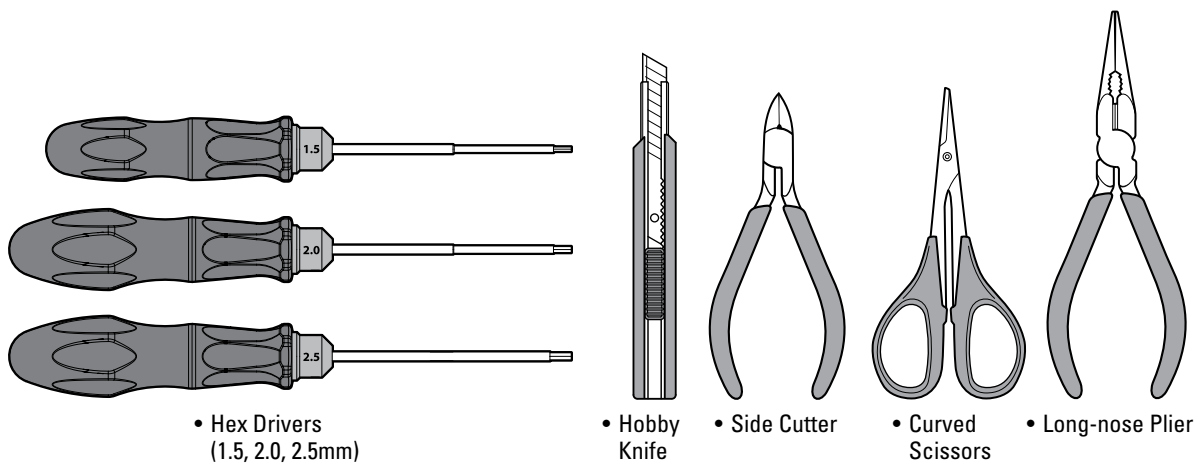


REQUIRED EQUIPMENT

- (4) AA Alkaline batteries
- 2-3S Standard or "Shorty" LiPo Battery
- OR
- 5-9 Cell NiMH/NiCd battery (IC3™ Connector Required)
- Battery charger compatible with the chosen vehicle battery type



RECOMMENDED TOOLS

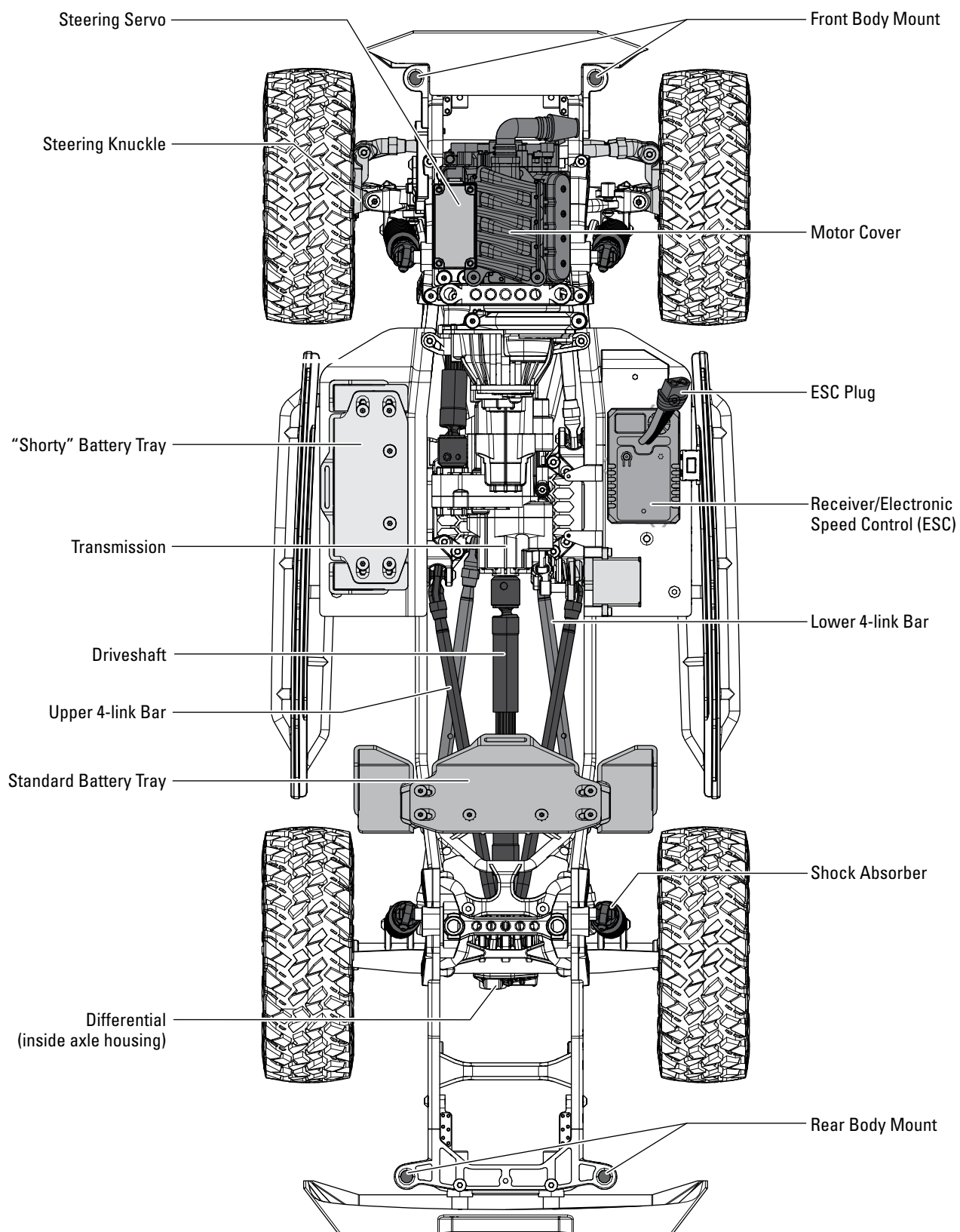


GETTING STARTED CHECKLIST

Read the manual
Familiarize yourself with the vehicle and its components
Check all screws, especially the driveshaft setscrews, for tightness from the factory
Charge the vehicle battery
Install 4 AA batteries in the transmitter

Power on the transmitter
Install the vehicle battery in the vehicle
Check for proper function of the throttle and steering
Range check the radio system
Drive the vehicle, challenge yourself and have FUN!
Perform any necessary vehicle maintenance

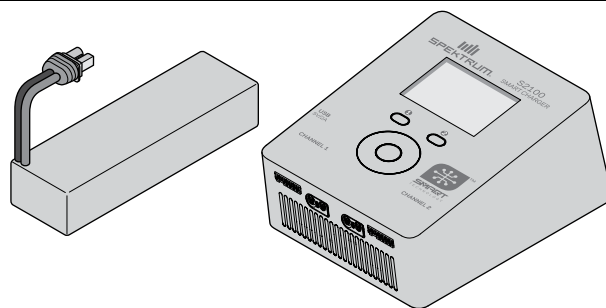
VEHICLE PARTS



CHARGE THE VEHICLE BATTERY

Follow the manufacturer's directions for your charger to properly charge the vehicle battery.

CAUTION: Only use chargers designed to charge the chosen battery type. Using an incorrect charger or incorrect charger settings could cause the battery to catch fire or explode.



INSTALL THE TRANSMITTER BATTERIES

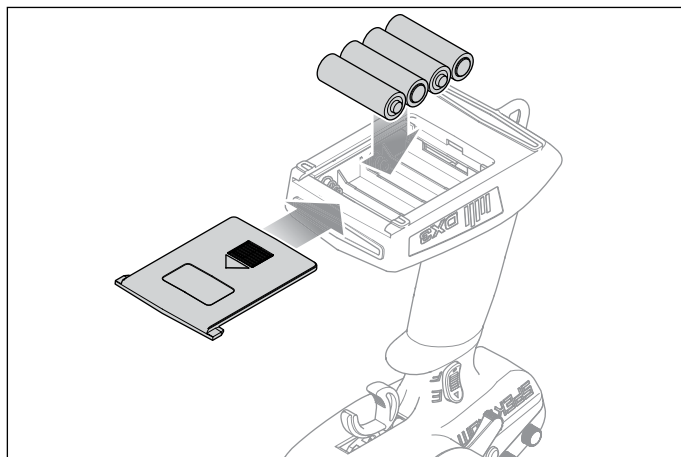
This transmitter requires 4 AA batteries.

1. Remove the battery cover from the transmitter.
2. Install the batteries as shown.
3. Install the battery cover.

CAUTION: NEVER remove the transmitter batteries while the model is powered on. Loss of model control, damage, or injury may occur.

CAUTION: If using rechargeable batteries, charge only rechargeable batteries. Charging non-rechargeable batteries may cause the batteries to burst, resulting in injury to persons and/or damage to property.

CAUTION: Risk of explosion if battery is replaced by an incorrect type. Dispose of used batteries according to national regulations.



TRANSMITTER FUNCTIONS

A/B. Channel 3 Button (Dig Function)

C. Throttle/Brake

D. Steering Wheel

E. Steering Rate

Adjusts the end point of the steering

F. Brake Rate

Adjusts the braking end point.

G. Steering Trim

Adjusts the steering center point. Normally, the steering trim is adjusted until the vehicle tracks straight.

H. Throttle Trim

Adjusts the throttle neutral point

I. SMART Battery Level Indicator

J. Servo Reversing

To reverse the Throttle (TH) or Steering (ST) channel, switch the position of the correlating switch—"N" is for normal, "R" is for reverse.

K. Throttle Limit

Limits throttle output to 50/75/100%

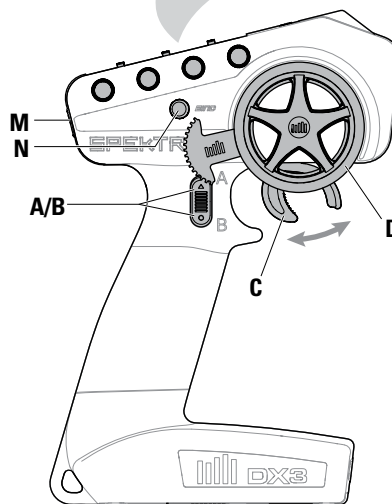
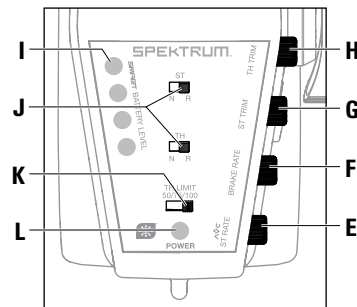
Select 50% or 75% for less experienced drivers or when you are driving the vehicle in a small area.

L. Power LED

- **Solid red lights:** Indicates radio connectivity and adequate battery power
- **Flashing red lights:** Indicates the battery voltage is critically low. Replace batteries

M. Power Button

N. Bind Button

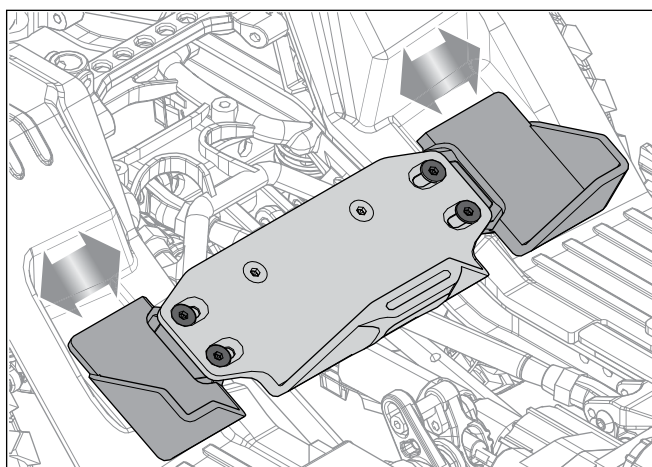


ADJUSTING THE VEHICLE BATTERY TRAY

The battery trays may be adjusted to fit a wide range of battery sizes. The rear battery tray is shown in the illustration. The side battery tray is adjustable in the same manner.

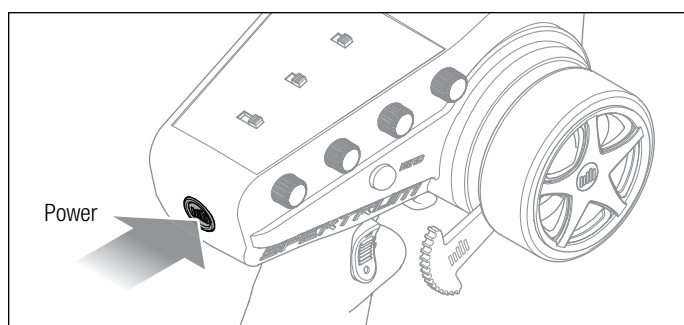
To adjust the battery tray:

1. Loosen the four flathead screws shown in the illustration.
2. Slide the ends of the battery tray in or out to fit the desired battery.
3. Tighten the four flathead screws. Do not over-tighten the screws.

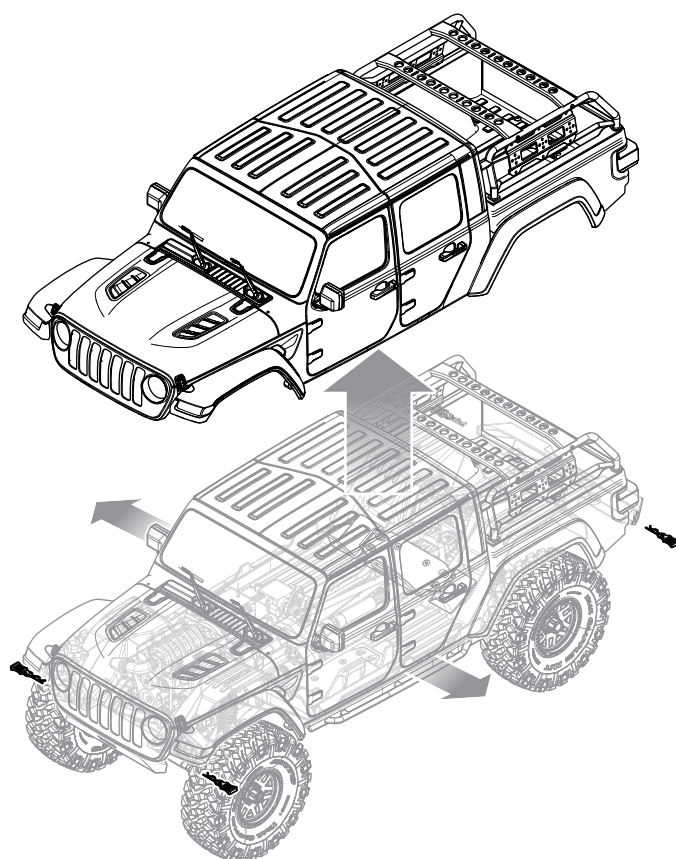
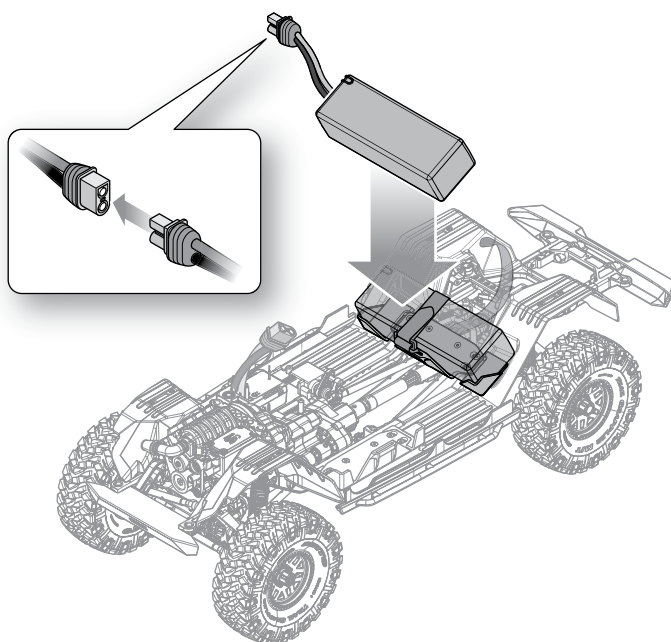


INSTALL THE VEHICLE BATTERY

The following steps show the installation of a standard size battery in the rear battery tray of the vehicle. If you wish to use a "shorty" style battery, it should be installed in the side battery tray location.



1. Power on the transmitter.
2. Remove the four body clips from under the body.
3. Pull out slightly on the bottom sides of the body while lifting it from the chassis.



4. Place the battery in the battery tray. The battery tray length may be adjusted to fit the battery as described in the previous section.
5. Secure the battery to the tray with the hook and loop strap.
6. Connect the battery to the ESC.
7. Power on the receiver/ESC.
8. Re-install the body and four body clips to the chassis.

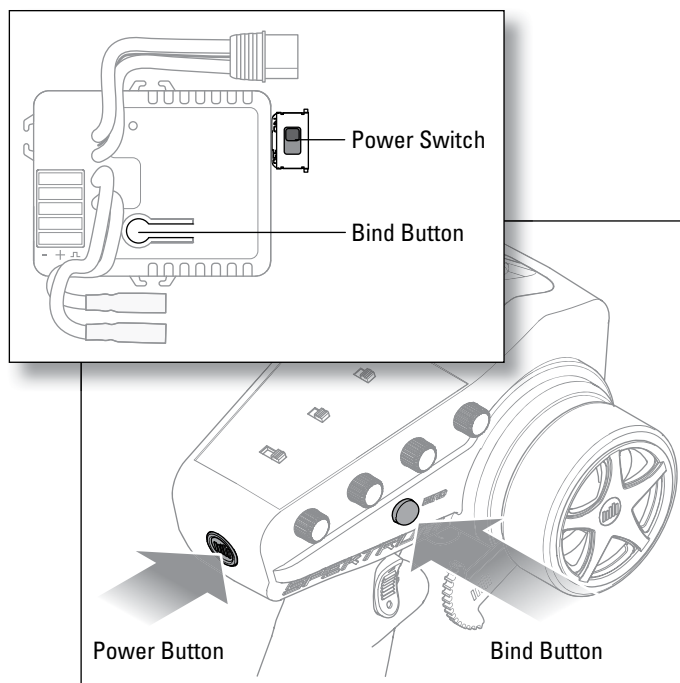
NOTICE: Always power off the ESC and disconnect the battery from the ESC before powering off the transmitter. Loss of vehicle control may result.

BINDING

Binding is the process of programming the receiver to recognize the GUID (Globally Unique Identifier) code of a single specific transmitter. The transmitter and receiver are bound at the factory. If you need to rebind, follow the instructions below.

1. Connect a fully charged battery pack to the ESC/receiver.
2. Disconnect the "Dig" servo lead from the receiver.
3. Press and hold the bind button on the receiver.
4. Power ON the receiver. The red LED flashes, indicating the receiver is in bind mode. Release the bind button after the red LED begins to flash. The motor will make continuous descending tones until binding is complete.
5. With the throttle trigger at neutral, press and hold the transmitter bind button while powering on to put the transmitter in bind mode. The throttle should be at neutral to set failsafe.
6. The bind process is complete when the green LED on the receiver remains lit.
7. Connect the "Dig" servo lead to the receiver.

You must rebind when different failsafe positions are needed e.g., when throttle or steering reversing has been changed.



RANGE-CHECKING THE RADIO SYSTEM

The radio system should be checked before operating the vehicle to ensure proper operation and adequate range.

1. Turn on the transmitter.
2. Connect the battery in the vehicle.
3. Have a friend hold the vehicle while keeping hands and loose clothing away from moving parts.
4. Walk away until you are at the maximum planned operating distance from the vehicle.
5. Turn the steering wheel side to side and operate the throttle, both forward and reverse, checking for any erratic behavior.
6. If any erratic behavior is exhibited, DO NOT operate the vehicle. Call customer service for assistance.

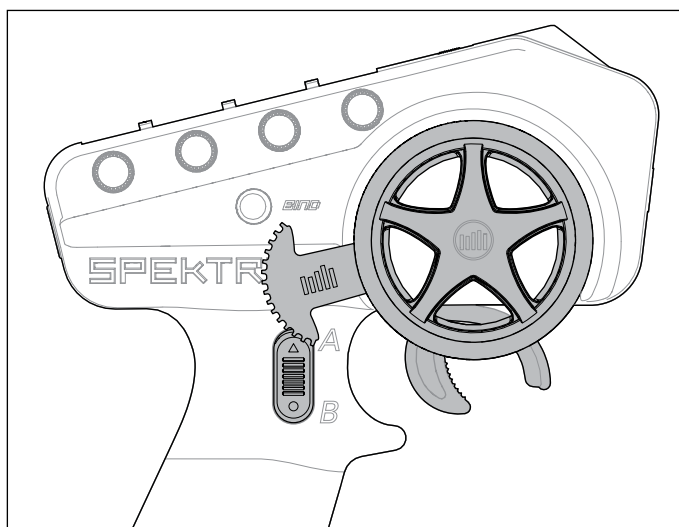


USING THE DIG TRANSMISSION

The vehicle includes a "Dig" transmission which allows the rear axle to lock while still allowing the front wheels to spin. Use this feature in close quarters to turn the vehicle tighter than is possible with normal 4 wheel drive or to preload the suspension when needed.

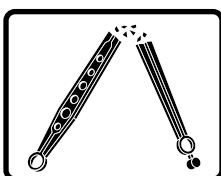
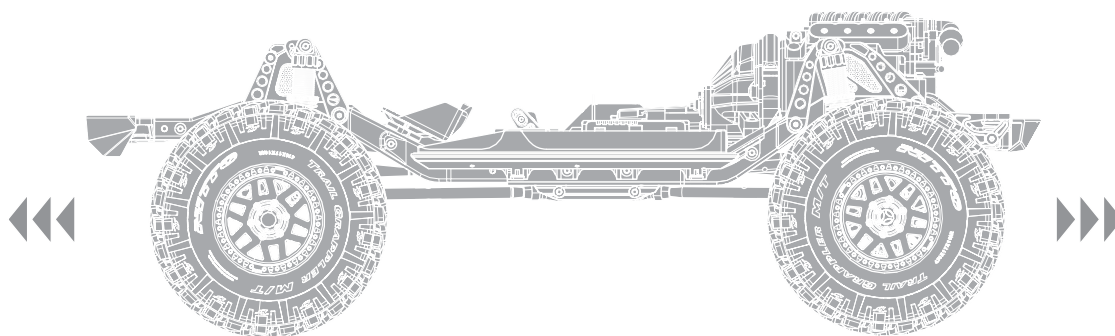
To use the Dig function:

1. Press and hold the channel 3 B button on the transmitter. The Dig function engages, locking the rear axle. Hold the B button as long as you want the dig function to be engaged.
2. Advance the throttle and turn the steering wheel left or right to tightly pivot the vehicle around.
3. Release the channel 3 B button to disengage the Dig function.

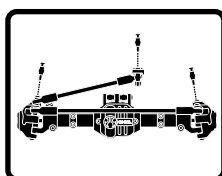


VEHICLE MAINTENANCE

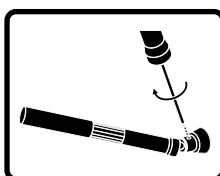
Just like a full size car or truck your RC vehicle must undergo periodic maintenance in order to ensure peak performance. Preventative maintenance will also help avoid needless breakages which could result in costly repairs. Below are some suggestions to properly maintain your vehicle.



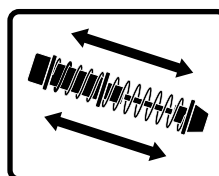
Replace any noticeable bent or broken parts



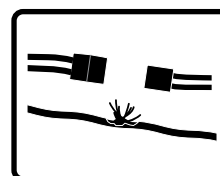
Check for wear on the ball joints in the steering and suspension links (replace if necessary)



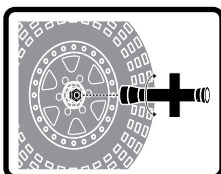
Check driveshaft set screws and apply thread locking compound if necessary



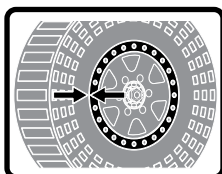
Inspect shock absorbers for smooth dampened operation



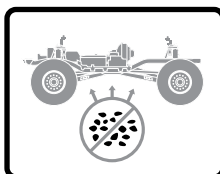
Check for any loose connections or frayed wiring



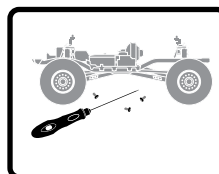
Check the wheel nuts for tightness



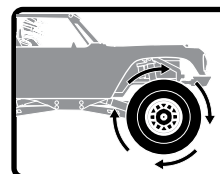
Ensure the wheel beads are still firmly bonded around the entire circumference of the rim



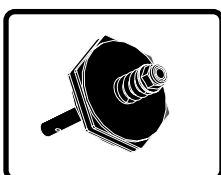
Keep the chassis free of dirt and debris



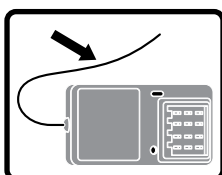
Check for loose screws on the chassis, especially the knuckle, C-hub and axle lockout screws



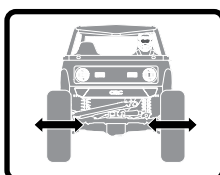
Check the driveline for smooth, bind free operation



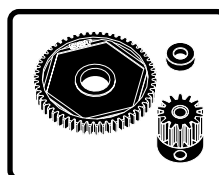
If applicable, check the slipper clutch for proper operation



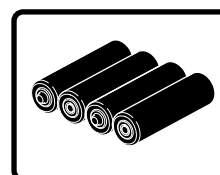
Check the receiver antenna for damage



Check the steering operation for any binding



Inspect the spur and pinion gears for damage



Replace the transmitter batteries when indicated by the transmitter, as described in the Transmitter Functions section

SPEKTRUM RECEIVER/ESC COMBO

OPERATION

1. Power on the transmitter.
2. Power on the receiver.
3. The green LED on the receiver will be illuminated when it is connected to your transmitter.
4. Disconnect the battery from the ESC/Receiver after operation.

FAILSAFE

In the unlikely event that the radio link is lost during use, the 2-in-1 will drive the throttle channel to the neutral (throttle off) position. If the 2-in-1 is powered on prior to turning on the transmitter, it will enter failsafe mode, leaving throttle off. When the transmitter is turned on, normal control will resume.

LED INDICATORS

Upon powering ON the ESC, the red LED will blink and the motor will emit a series of beeps to indicate its status. The number of tones indicates (1) the ESC is in operation (2) the battery mode detected and (3) the ESC is in a ready-to-use state.

FEATURE	RED LED STATUS	MOTOR SOUND
ESC Is In Operation	Rapid Blinking	4 Changing Tones
Ni-MH/Ni-CD Battery	1 Blink	1 Short Tone
2S Li-Po Battery	2 Blinks	2 Short Beeps
3S Li-Po Battery	3 Blinks	3 Short Beeps
ESC Ready, No Transmitter Signal	2 Short Blinks, Red Blink Repeating	2 Ascending Tones, Descending Tones Repeating

OPERATION	LED STATUS
Forward	
Partial Throttle	Green Solid, Red Blinks
Full Throttle	Green and Red Solid
Reverse	
Partial Throttle	Green Solid, Red Blinks
Full Throttle	Green and Red Solid
Brake	
Partial	Green Solid, Red Blinks
Full	Green and Red Solid
Stop	Green Solid
Battery Low Voltage or No Signal	Red Blinks
Overheat	Green Blinks
Over Current Protection	Green and Red Triple Blinks

ESC AND TRANSMITTER CALIBRATION

The included transmitter and ESC/receiver combo automatically calibrate when powered on. Follow the procedure below to ensure accurate calibration between the transmitter and ESC/receiver.

1. Connect a fully charged battery to the ESC/receiver. Ensure the power switch is in the OFF position.
2. Power the transmitter ON. Ensure the throttle is not reversed, the throttle trim is neutral and the throttle travel range is at 100%.
3. With the throttle at neutral, power ON the ESC/receiver.
4. Leave the throttle trigger and trims at neutral for at least 3 seconds. The ESC/Receiver automatically calibrates the throttle range after 3 seconds.
5. The LED will blink and the motor will beep to indicate the battery mode selection.
6. One long LED blink and one long beep indicates the ESC is ready to run.

GEAR RATIOS

SPUR/PINION GEAR RATIO CHART - LCX TRANSMISSION							
	12	13	14	15	16	17	18
Low Speed (standard)	58.1	49.2	45.6	42.6	39.4	37.6	35.5
High Speed (optional)	39.8	36.5	31.3	29.2	27.3	25.7	24.3

SPECIFICATIONS

Type	Waterproof DSMR ESC/Receiver 2-in-1 with SMART Telemetry
Dimensions (L x W x H)	54mm x 33.5mm x 20.5mm
Antenna Length	31mm
Channels	4 (No Throttle Servo Output)
Weight	68g
Band	2404 MHz – 2476 MHz
Servo Output Voltage	6V up to 3A, Shared with Auxillary Light Connectors
Telemetry Features	Battery Voltage, Current, ESC Temp, Battery Data (with SMART Battery)
Battery Input Connector	IC3™ (EC3™ Compatible)
Voltage Range	2–3S Li-Po*/5–9S NiMH
Max Current	40A Continuous/ 180A Burst
Motor Connectors	3.5mm Bullet

*Default setting for low voltage cutoff is Li-Po. Optional Dynamite Program Card (DYNS3005) required to change the Battery Type Setting.

TROUBLESHOOTING

PROBLEM	POSSIBLE CAUSE	SOLUTION
The system will not connect	Your transmitter and receiver are too close together	Move transmitter 8 to 12 feet away from receiver
	You are near metal objects	Move to an area with less metal
	The receiver is bound to a different model memory	Make sure the correct model memory is active in your transmitter
	Your transmitter was placed into bind mode and is no longer bound to your receiver	Rebind your transmitter and receiver, and then re-calibrate receiver
The receiver goes into failsafe a short distance away from the transmitter	Check for damage on the receiver antenna	Make sure your receiver antenna is protected and located as high as practical
		Replace the receiver or contact Horizon Product Support
The receiver stops responding during operation	Low receiver battery voltage. If the battery voltage is low, it may drop below 3.5V momentarily, causing the receiver to brown-out, then reconnect	Charge the receiver or vehicle battery. Spektrum receivers require at least 3.5V to operate
	Loose or damaged wires or connectors between battery and receiver	Check the wires and connection between the battery and receiver. Repair or replace wires and/or connectors
Vehicle does not move	Batteries are not installed properly in the transmitter	Ensure the transmitter batteries are properly installed
	Weak or no battery in the vehicle	Install a freshly charged vehicle battery
	Damaged motor	Replace the motor
	Frayed or broken wiring	Replace any damaged wiring
	ESC is shut down by heat protection circuit	Allow the ESC to cool down completely
Loss of vehicle control	Improper antenna placement	Ensure the transmitter antenna is not blocked and the receiver antenna is located properly
	Weak or no batteries in the transmitter or vehicle	Install a freshly charged vehicle battery and new transmitter batteries
	Neutral or trim position is incorrect	Adjust the steering trim
	Receiver and/or battery not connected properly	Check all receiver and battery connections
Steering and/or throttle function is reversed	Servo travel is reversed at the transmitter	Set the transmitter servo reversing switch to the correct position
	Motor wires are not connected properly	Check all motor wires for correct polarity and secure connection
ESC ON - No motor function, audible tone or LED	Battery/connection issue	Recharge/replace battery. Secure all connections
	Damaged ESC/switch	Repair/replace ESC switch/ESC
	Damaged motor	Repair/replace
Motor- Stops and LED blinks	Low voltage protection	When the ESC LED blinks, recharge/replace battery
	Overheat protection	When the LED blinks, let motor/ESC cool, change set up or gearing to avoid overheating
Motor- Accelerates irregularly	Battery issue	Repair damaged wiring/replace battery
	Incorrect gearing	Adjust/replace gearing
	Worn or damaged motor	Repair/replace motor
Motor- Does not turn continuously in response to throttle	ESC/motor damaged	Repair/replace wiring or motor/ESC
Motor- Slows but will not stop	Incorrect transmitter/ESC calibration	Adjust throttle travel/other throttle settings on the transmitter/ESC. Repeat the ESC Calibration Procedure
Steering servo- Operates; motor does not run	Damaged motor	Test the motor apart from the vehicle system, repair/replace motor as needed
	Incorrect transmitter/ESC calibration	Adjust throttle travel/other throttle settings on the transmitter/ESC. Repeat the ESC Calibration Procedure
Steering/motor- not functioning	Low battery voltage	Recharge/replace
	Wrong model memory selected on transmitter	Select correct model settings on your transmitter, refer to transmitter and/or receiver manual
	Receiver not bound to transmitter	Bind transmitter to receiver, refer to transmitter and/or receiver manual
Vehicle- Does not operate at full speed	Battery issue	Recharge/replace
	Incorrect transmitter/ESC calibration	Adjust throttle travel/other throttle settings on the transmitter/ESC. Repeat the ESC Calibration Procedure

LIMITED WARRANTY

What this Warranty Covers

Horizon Hobby, LLC, (Horizon) warrants to the original purchaser that the product purchased (the "Product") will be free from defects in materials and workmanship for a period of 2 years from the date of purchase.

What is Not Covered

This warranty is not transferable and does not cover (i) cosmetic damage, (ii) damage due to acts of God, accident, misuse, abuse, negligence, commercial use, or due to improper use, installation, operation or maintenance, (iii) modification of or to any part of the Product, (iv) attempted service by anyone other than a Horizon Hobby authorized service center, (v) Product not purchased from an authorized Horizon dealer, or (vi) Product not compliant with applicable technical regulations or (vii) use that violates any applicable laws, rules, or regulations.

OTHER THAN THE EXPRESS WARRANTY ABOVE, HORIZON MAKES NO OTHER WARRANTY OR REPRESENTATION, AND HEREBY DISCLAIMS ANY AND ALL IMPLIED WARRANTIES, INCLUDING, WITHOUT LIMITATION, THE IMPLIED WARRANTIES OF NON-INFRINGEMENT, MERCHANTABILITY AND FITNESS FOR A PARTICULAR PURPOSE. THE PURCHASER ACKNOWLEDGES THAT THEY ALONE HAVE DETERMINED THAT THE PRODUCT WILL SUITABLY MEET THE REQUIREMENTS OF THE PURCHASER'S INTENDED USE.

Purchaser's Remedy

Horizon's sole obligation and purchaser's sole and exclusive remedy shall be that Horizon will, at its option, either (i) service, or (ii) replace, any Product determined by Horizon to be defective. Horizon reserves the right to inspect any and all Product(s) involved in a warranty claim. Service or replacement decisions are at the sole discretion of Horizon. Proof of purchase is required for all warranty claims. SERVICE OR REPLACEMENT AS PROVIDED UNDER THIS WARRANTY IS THE PURCHASER'S SOLE AND EXCLUSIVE REMEDY.

Limitation of Liability

HORIZON SHALL NOT BE LIABLE FOR SPECIAL, INDIRECT, INCIDENTAL OR CONSEQUENTIAL DAMAGES, LOSS OF PROFITS OR PRODUCTION OR COMMERCIAL LOSS IN ANY WAY, REGARDLESS OF WHETHER SUCH CLAIM IS BASED IN CONTRACT, WARRANTY, TORT, NEGLIGENCE, STRICT LIABILITY OR ANY OTHER THEORY OF LIABILITY, EVEN IF HORIZON HAS BEEN ADVISED OF THE POSSIBILITY OF SUCH DAMAGES. Further, in no event shall the liability of Horizon exceed the individual price of the Product on which liability is asserted. As Horizon has no control over use, setup, final assembly, modification or misuse, no liability shall be assumed nor accepted for any resulting damage or injury. By the act of use, setup or assembly, the user accepts all resulting liability. If you as the purchaser or user are not prepared to accept the liability associated with the use of the Product, purchaser is advised to return the Product immediately in new and unused condition to the place of purchase.

Law

These terms are governed by Illinois law (without regard to conflict of law principals). This warranty gives you specific legal rights, and you may also have other rights which vary from state to state. Horizon reserves the right to change or modify this warranty at any time without notice.

WARRANTY SERVICES

Questions, Assistance, and Services

Your local hobby store and/or place of purchase cannot provide warranty support or service. Once assembly, setup or use of the Product has been started, you must contact your local distributor or Horizon directly. This will enable Horizon to better answer your questions and service you in the event that you may need any assistance. For questions

or assistance, please visit our website at www.horizonhobby.com, submit a Product Support Inquiry, or call the toll free telephone number referenced in the Warranty and Service Contact Information section to speak with a Product Support representative.

Inspection or Services

If this Product needs to be inspected or serviced and is compliant in the country you live and use the Product in, please use the Horizon Online Service Request submission process found on our website or call Horizon to obtain a Return Merchandise Authorization (RMA) number. Pack the Product securely using a shipping carton. Please note that original boxes may be included, but are not designed to withstand the rigors of shipping without additional protection. Ship via a carrier that provides tracking and insurance for lost or damaged parcels, as Horizon is not responsible for merchandise until it arrives and is accepted at our facility. An Online Service Request is available at http://www.horizonhobby.com/content/service-center_render-service-center. If you do not have internet access, please contact Horizon Product Support to obtain a RMA number along with instructions for submitting your product for service. When calling Horizon, you will be asked to provide your complete name, street address, email address and phone number where you can be reached during business hours. When sending product into Horizon, please include your RMA number, a list of the included items, and a brief summary of the problem. A copy of your original sales receipt must be included for warranty consideration. Be sure your name, address, and RMA number are clearly written on the outside of the shipping carton.

NOTICE: Do not ship Li-Po batteries to Horizon. If you have any issue with a Li-Po battery, please contact the appropriate Horizon Product Support office.

Warranty Requirements

For Warranty consideration, you must include your original sales receipt verifying the proof-of-purchase date. Provided warranty conditions have been met, your Product will be serviced or replaced free of charge. Service or replacement decisions are at the sole discretion of Horizon.

Non-Warranty Service

Should your service not be covered by warranty, service will be completed and payment will be required without notification or estimate of the expense unless the expense exceeds 50% of the retail purchase cost. By submitting the item for service you are agreeing to payment of the service without notification. Service estimates are available upon request. You must include this request with your item submitted for service. Non-warranty service estimates will be billed a minimum of 1/2 hour of labor. In addition you will be billed for return freight. Horizon accepts money orders and cashier's checks, as well as Visa, MasterCard, American Express, and Discover cards. By submitting any item to Horizon for service, you are agreeing to Horizon's Terms and Conditions found on our website http://www.horizonhobby.com/content/service-center_render-service-center.

ATTENTION: Horizon service is limited to Product compliant in the country of use and ownership. If received, a non-compliant Product will not be serviced. Further, the sender will be responsible for arranging return shipment of the un-serviced Product, through a carrier of the sender's choice and at the sender's expense. Horizon will hold non-compliant Product for a period of 60 days from notification, after which it will be discarded.

10/15

WARRANTY AND SERVICE CONTACT INFORMATION

COUNTRY OF PURCHASE	HORIZON HOBBY	CONTACT INFORMATION	ADDRESS
United States of America	Horizon Service Center (Repairs and Repair Requests)	servicecenter.horizonhobby.com/RequestForm/	2904 Research Rd Champaign, IL 61822
	Horizon Product Support (Product Technical Assistance)	productsupport@horizonhobby.com 877-504-0233	
	Sales	websales@horizonhobby.com 800-338-4639	
European Union	Horizon Technischer Service	service@horizonhobby.eu	Hanskampring 9 D 22885 Barsbüttel, Germany
	Sales: Horizon Hobby GmbH	+49 (0) 4121 2655 100	

FCC INFORMATION

Contains FCC ID: BRWKATY1T

SUPPLIER'S DECLARATION OF CONFORMITY

Axial SCX10 III Jeep Gladiator (AXI03006)

FC This device complies with part 15 of the FCC Rules. Operation is subject to the following two conditions: (1) This device may not cause harmful interference, and (2) this device must accept any interference received, including interference that may cause undesired operation.



CAUTION: changes or modifications not expressly approved by the party responsible for compliance could void the user's authority to operate the equipment.

NOTE: This equipment has been tested and found to comply with the limits for a Class B digital device, pursuant to part 15 of the FCC Rules. These limits are designed to provide reasonable protection against harmful interference in a residential installation. This equipment generates, uses and can radiate radio frequency energy and, if not installed and used in accordance with the instructions, may cause harmful interference to radio communications. However, there is no guarantee that interference will not occur in a particular installation. If this equipment does cause harmful interference to radio or television reception, which can be determined by turning the equipment off and on, the user is encouraged to try to correct the interference by one or more of the following measures:

- Reorient or relocate the receiving antenna.
- Increase the separation between the equipment and receiver.
- Connect the equipment into an outlet on a circuit different from that to which the receiver is connected.
- Consult the dealer or an experienced radio/TV technician for help.

Horizon Hobby, LLC
2904 Research Rd.,
Champaign, IL 61822
Email: compliance@horizonhobby.com
Web: HorizonHobby.com

IC INFORMATION

CAN ICES-3 (B)/NMB-3(B)

Contains IC: 6157A-KATY1T

This device complies with ISED Canada licence-exempt RSS standard(s). Operation is subject to the following two conditions: (1) this device may not cause interference, and (2) this device must accept any interference, including interference that may cause undesired operation of the device.

COMPLIANCE INFORMATION FOR THE EUROPEAN UNION



EU COMPLIANCE STATEMENT:

Axial SCX10 III Jeep Gladiator (AXI03006)

Horizon Hobby, LLC hereby declares that this product is in compliance with the essential requirements and other relevant provisions of the RED Directive.

A copy of the EU Declaration of Conformity is available online at: <http://www.horizonhobby.com/content/support-render-compliance>.

Frequency Range: 2404-2478MHz

Max EIRP: 19.9dBm

INSTRUCTIONS FOR DISPOSAL OF WEEE BY USERS IN THE EUROPEAN UNION

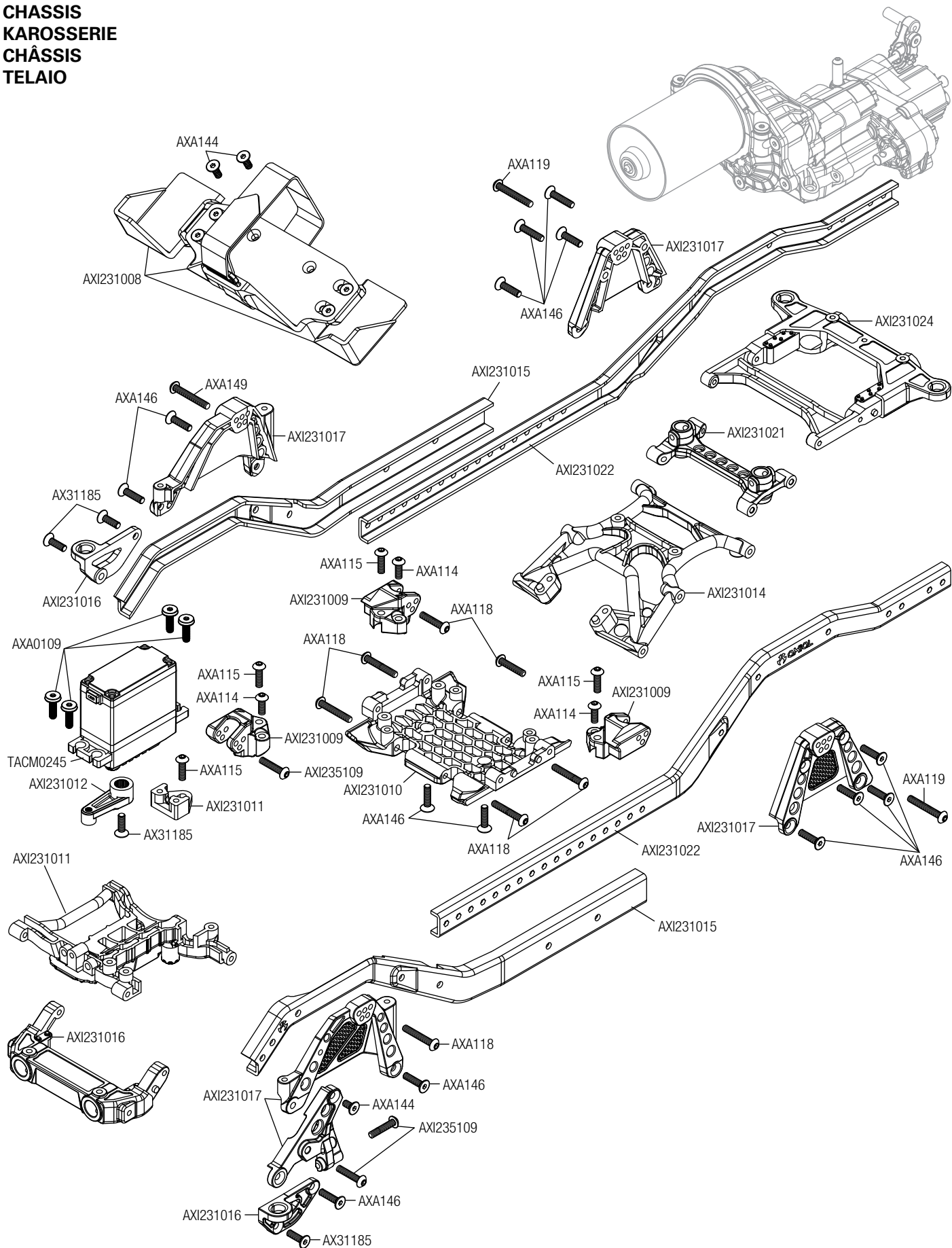


This product must not be disposed of with other waste. Instead, it is the user's responsibility to dispose of their waste equipment by handing it over to a designated collections point for the recycling of waste electrical and electronic equipment. The separate collection and recycling of your waste equipment at the time of disposal will help to conserve natural resources and ensure that it is recycled in a manner that protects human health and the environment. For more information about where you can drop off your waste equipment for recycling, please contact your local city office, your household waste disposal service or where you purchased the product.

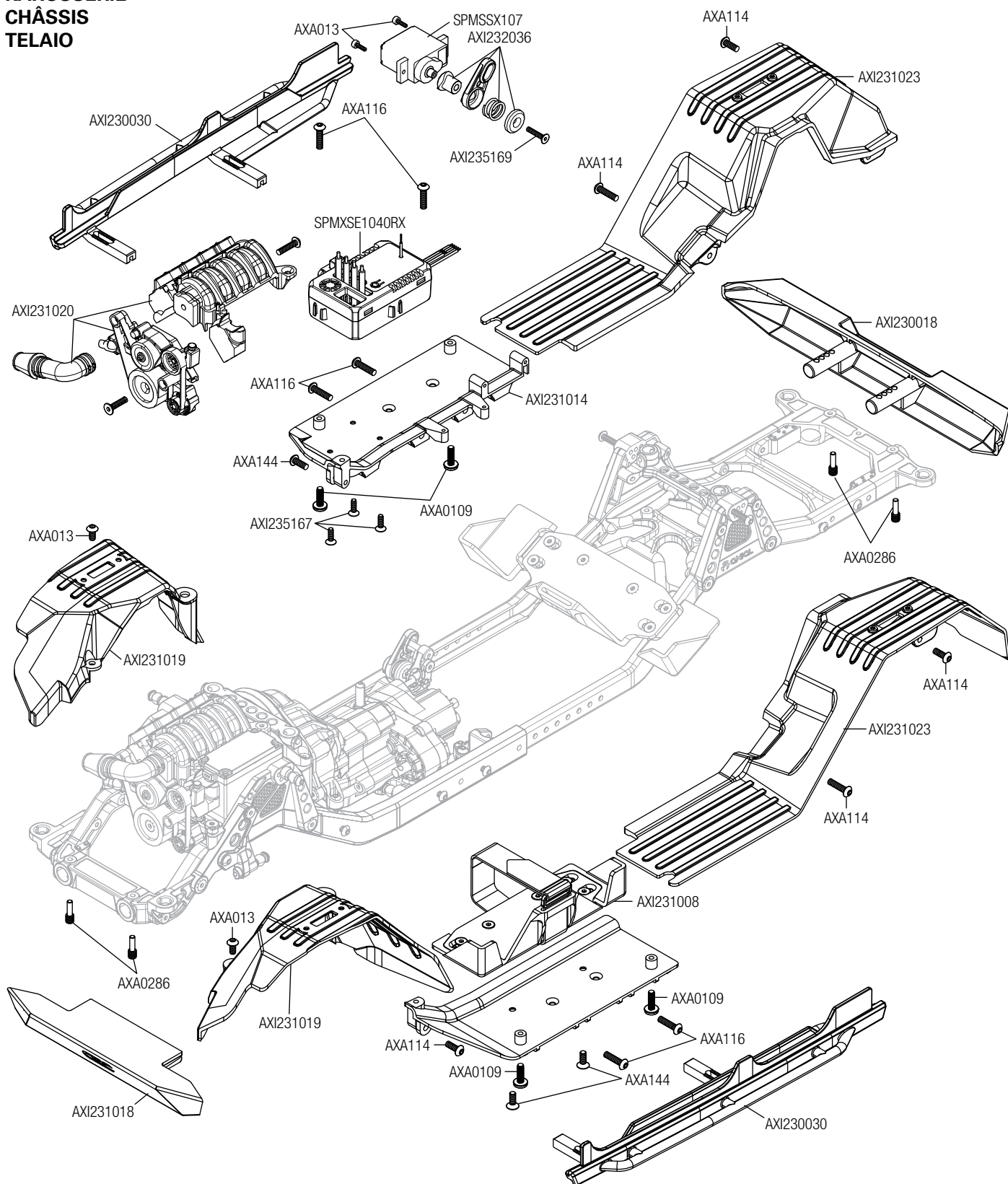


E328

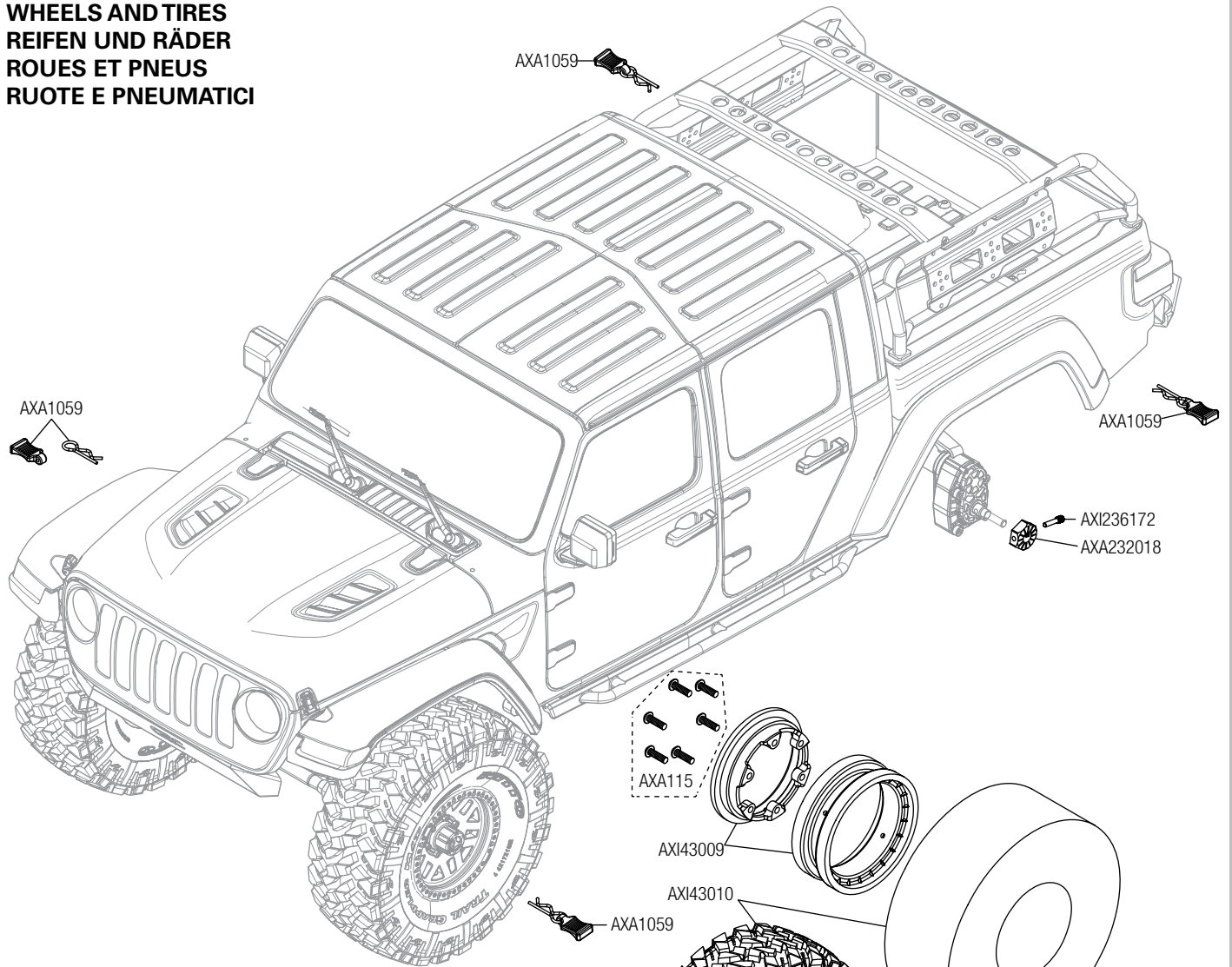
**CHASSIS
KAROSSERIE
CHÂSSIS
TELAIO**



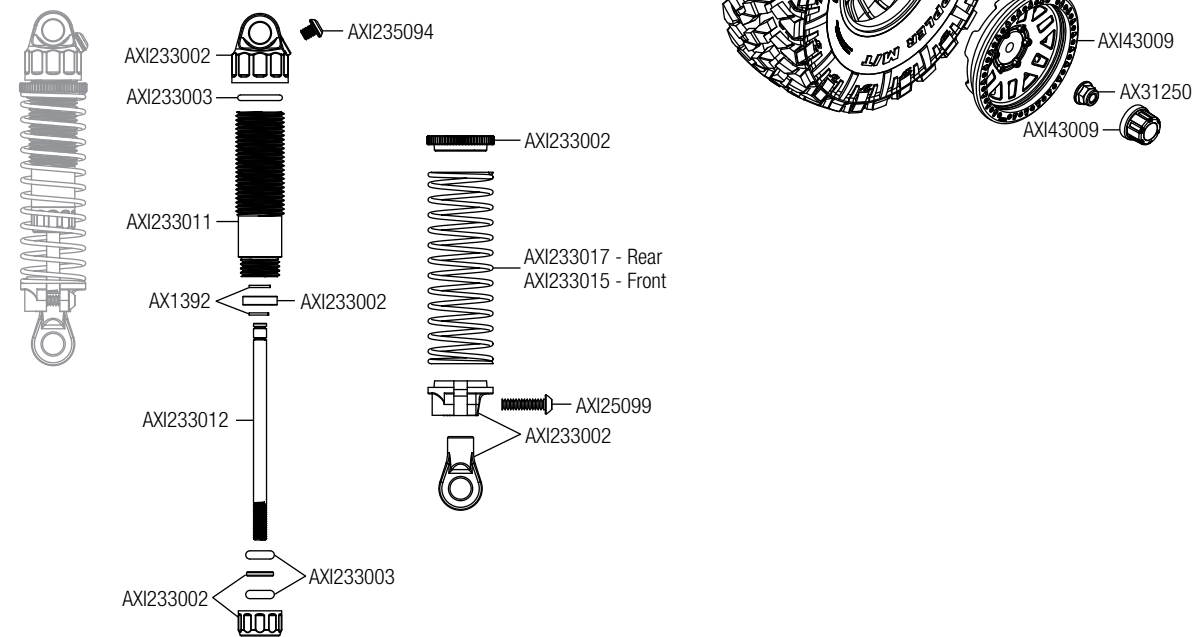
**CHASSIS
KAROSSERIE
CHÂSSIS
TELAIO**



**WHEELS AND TIRES
REIFEN UND RÄDER
ROUES ET PNEUS
RUOTE E PNEUMATICI**



**SHOCK ABSORBERS
STOSSDÄMPFER
AMORTISSEURS
AMMORTIZZATORI**



PARTS LISTS // TEILELISTEN // LISTE DES PIÈCES // ELENCO COMPONENTI

Part #	Description	Beschreibung	Description	Descrizione
AXI230018	CRC JL Front & Rear Bumper	CRC JL Front- und Heckstoßstange	Pare-chocs avant et arrière CRC JL	Paraurti anteriore e posteriore CRC JL
AXI230020	Radiator & Front Fenders Jeep JLU	Kühler und vorderer Kotflügel Jeep JLU	Radiateur et ailes avant Jeep JLU	Parafanghi anteriori e radiatore Jeep JLU
AXI230022	Exterior Body Detail Parts Jeep JLU	Teile Außenausstattung Karosserie Jeep JLU	Pièces de détails de carrosserie extérieurs Jeep JLU	Dettagli carrozzeria esterna Jeep JLU
AXI230025	Universal Body Post Set	Universal-Gehäusestangensatz	Ensemble de poteaux de carrosserie universels	Set supporti carrozzeria universale
AXI230026	Jeep JT Gladiator Body Set:Clr	Gehäusesatz Jeep JT Gladiator: Farblos	Ensemble carrosserie Jeep JT Gladiator : transparente	Kit carrozzeria Jeep JT Gladiator: Trasparente
AXI230027	Overland Bed Rack Set: Jeep JT	Ladeflächengestellsatz Überland: Jeep JT	Ensemble porte-bagages de benne : Jeep JT	Kit portapacchi posteriore Overland: Jeep JT
AXI230028	Jeep JT Rear Fenders:SCX10III	Jeep JT Heck Schutzbleche: SCX10III	Garde-boue arrière Jeep JT : SCX10III	Parafanghi posteriori Jeep JT: SCX10III
AXI230029	Jeep JT Brake Light Lens&Bucket	Jeep JT Bremse Lichtlinse & -schale	Spot et lentille de feu de freinage Jeep JT	Fanale e luci freni Jeep JT
AXI230030	Rock Rails Jeep JT Glad:SCX10II	Geländeschienen Jeep JT Glad: SCX10II	Barres de protection contre les pierres Jeep JT Glad : SCX10II	Rock Rails Jeep JT Glad: SCX10II
AXI231008	Battery Tray Sets & Strap	Akkualterungsätze und Riemen	Ensembles de supports de batterie avec sangle	Fascette e set supporto batteria
AXI231009	Upper Center Link Mounts	Obere mittige Gestängehalterungen	Supports pour tringlerie centrale supérieure	Supporti braccetti centrali superiori
AXI231010	Center Transmission Skid Plate	Mittiges Getriebe-Gleitbrett	Plaque de protection pour transmission centrale	Piastra proteggi trasmissione centrale
AXI231011	Steering Mount Chassis Brace	Lenkhalterung Karosseriestrebe	Support de châssis de direction	Sostegno telaio supporto sterzo
AXI231012	Servo Horn, Metal 23T	Servohorn, Metall 23T	Renvoi de commande de servo, métal 23T	Squadretta servo, Metallo 23T
AXI231013	Servo Horn, Metal 25T	Servohorn, Metall 25T	Renvoi de commande de servo, métal 25T	Squadretta servo, Metallo 25T
AXI231014	Side Plates & Chassis Brace	Seitenplatten und Karosseriestrebe	Plaques latérales et support de châssis	Piastre laterali e sostegno telaio
AXI231015	Frame Rail Set	Rahmenschienensatz	Ensemble de rails du cadre	Set guida telaio
AXI231016	Bumper/Body Mounts Chassis FR/RR	Stoßstange/Gehäusehalterung Karosserie Front/Heck	Châssis avec supports de pare-chocs et de carrosserie AV/AR	Telaio supporti carrozzeria/ammortizzatore FR/RR
AXI231017	Shock Towers & Panhard Mounts FR/RR	Stoßdämpferbrücken und Panhard-Halterungen Front/Heck	Tours d'amortisseurs et supports Panhard AV/AR	Torre ammortizzatore e supporti Panhard FR/RR
AXI231018	Receiver Box	Empfängerbox	Boîtier de récepteur	Scatola ricevitore
AXI231020	Motor Cover	Motorabdeckung	Couvercle du moteur	Carter motore
AXI231021	Upper Shock Tower Braces	Obere Stoßdämpferbrückenstreben	Supports de tours d'amortisseurs supérieures	Sostegni torre ammortizzatore superiori
AXI231022	EXT RR Frame Rail Set: SCX10III	Erweiterter Heck-Rahmenschienensatz: SCX10III	Ensemble barre de cadre arrière étendue : SCX10III	Kit longeroni posteriori telaio estesi: SCX10III
AXI231023	Long Rear Inr Fndr Lnr:SCX10III	Langes hinteres inneres Schutzblech im Radkasten: SCX10III	Revêtement de garde-boue intérieur arrière long : SCX10III	Riv. parafango interno post. lungo: SCX10III
AXI231024	RR Chas Brc/Bmp/Bdy mnt SCX10II	Heck Chassis Streben/Anschlag/Gehäuse Halterung SCC10II	Support de carrosserie/pare-chocs/renfort de châssis arrière SCX10II	Supporti carr./paraurti/staffa telaio post. SCX10II
AXI232002	6-Bolt Differential Locker	6-Schrauben-Differenzial-Sicherung	Blocage différentiel à 6 boulons	Blocco differenziale 6 bulloni
AXI232003	6 Bolt Heavy Duty Gear Set	6-Schrauben-Schwerlast-Zahnradatz	Ensemble d'engrenages haute résistance à 6 boulons	Set ingranaggio impieghi gravosi 6 bulloni
AXI232006	Currie F9 Portal Steering Knuckle Caps: Capra	Currie F9 Portal-Achsschenkel und -abdeckung: UTB	Rotule de direction et coiffe du portique Currie F9, arrière : UTB	Currie F9 Portal, fuso a snodo e tappo: UTB
AXI232007	32P Portal Gear Set, 23T/12T	32P Portalachssatz 23T/12T (2)	Ensemble engrenage portique 32P 23T/12T (2)	Set ingranaggi 32P Portal 23T/12T (2)
AXI232008	Portal Stub Axle (2)	Portalachsschenkel (2)	Demi-essieu du portique (2)	Fusello Portal (2)
AXI232015	Slipper Pads Plates:	Grabgetriebe-Gleitschuhe/-platten: UTB	Sabots de pistons/plaques de sabot de transmission dig : UTB	Piastre/pattini di scorrimento trasmissione dig: UTB
AXI232017	Wild Boar Driveshaft Set: Capra	Wild Boar-Antriebswellensatz: UTB	Ensemble d'arbres de transmission Wild Boar : UTB	Set albero di trasmissione Wild Boar: UTB
AXI232018	12mm Hex Screw Shaft & Spacer (4): Capra	12-mm-Sechskantstift und Abstandhalter (4): UTB	Broche hexagonale 12mm et entretoise (4) : UTB	Distanziale e perno esagonale 12mm (4): UTB
AXI232022	AR45P Portal Axle Housing (Front)	AR45P Portalachsgehäuse (Vorn)	Carter d'essieu du portique AR45P (avant)	Alloggiamento assale AR45P Portal (anteriore)
AXI232023	AR45P Portal Axle Housing (Rear)	AR45P Portalachsgehäuse (Hinten)	Carter d'essieu du portique AR45P (arrière)	Alloggiamento assale AR45P Portal (posteriore)
AXI232026	AR45 Differential Cover	AR45 Differenzialgehäuse	Cache différentiel AR45	Carter differenziale AR45
AXI232027	AR45P Universal Axle Set (2pcs)	AR45P Universal-Achssatz (2 Stk)	Ensemble d'essieux universels AR45P (2 pièces)	Set assale universale AR45P (2 pezzi)
AXI232028	AR45P Straight Axle Shaft (2pc):SCX10III	AR45P Gerade Achswelle (2 Stk)	Arbre d'essieu droit AR45P (2 pièces)	Albero assale dritto AR45P (2 pezzi)
AXI232029	Transmission Housing Set	Getriebegehäusesatz	Ensemble de carter de transmission	Set alloggiamento trasmissione
AXI232030	Motor Mount Plate: SCX10 III	Motorhalterungsplatte: SCX10 III	Plaque de support du moteur : SCX10 III	Piastra supporto motore: SCX10 III

Part #	Description	Beschreibung	Description	Descrizione
AXI232031	Internal Metal Drive Gears	Interne Metall-Antriebszahnäder	Engrenages d'entraînement métalliques internes	Ingranaggi interni trasmissione in metallo
AXI232032	Transfer Case Metal Gears	Transferrgehäuse Metallgetriebe	Engrenages métalliques de boîte de transfert	Ingranaggi in metallo custodia di trasferimento
AXI232033	Input Metal Gears 27T, 20T & 34T	Metallgetriebe Eingabe 27T, 20T und 34T	Engrenages métalliques d'entrée 27T, 20T et 34T	Ingranaggi in metallo ingresso 27T, 20T e 34T
AXI232034	40T Metal Spur Gear	40T Metall-Stirnrädergetriebe	Engrenage cylindrique métallique 40T	Corona in metallo 40T
AXI232035	Transmission Shaft Set	Getriebewellensatz	Ensemble d'arbre de transmission	Set albero trasmissione
AXI232036	Dig/2-Speed Arm & Shaft Set	Graben/2-Geschwindigkeit Arm- und Wellensatz	Ensemble de bras et arbre Dig/2 vitesses	Set albero e braccio dig/2 velocità
AXI232037	Cog Set & Plate Dig/2-Speed	Zahnradatz und Platte Graben/2-Geschwindigkeit	Ensemble de pignons et plaque Dig/2 vitesses	Set denti e piastra dig/2 velocità
AXI232038	WB8 Drive Shaft Set LWB: SCX10 III	WB8 Antriebswelle Satz	Ensemble d'arbre de transmission WB8	Set dell'albero di trasmissione WB8
AXI233002	Shock Parts, Injeciton molded	Stoßdämpferteile, gegossen: UTB	Pièces de l'amortisseur moulées : UTB	Parti ammortizzatore stampate: UTB
AXI233003	Shock O-Ring Set: Capra	O-Ring-Satz für den Stoßdämpfer: UTB	Ensemble de joints toriques d'amortisseur : UTB	Set O-Ring ammortizzatore: UTB
AXI233011	Threaded Shock Body Alum HA 11 x 38mm (2pc)	Gewinde-Stoßdämpfergehäuse Alum HA 11 x 38 mm (2 Stk)	Corps d'amortisseur fileté aluminium HA 11 x 38 mm (2 pièces)	Scocca ammortizzatore filettata in alluminio 11x38 mm HA (2 pz)
AXI233012	Shock Shaft M3 x 50mm (2pc)	Stoßdämpferkolbenstange M3 x 50mm (2)	Tiges d'amortisseur M3 x 50mm (2)	Alberino ammort., M3 x 50mm (2)
AXI233013	Spring 13 x 62mm .78lbs/in Purple Super Soft(2)	Feder 13 x 62 mm 0,78 lbs/in Violett Superweich (2)	Ressort 13 x 62 mm 0,78 lb/po violet très souple (2)	Molla 13 x 62 mm 0,78 lbs/in Viola supermorbida (2)
AXI233014	Spring 13 x 62mm 1.0lbs/in Orange Extra Soft (2)	Feder 13 x 62 mm 1,0 lbs/in Orange Extra weich (2)	Ressort 13 x 62 mm 1,0 lb/po orange extra souple (2)	Molla 13 x 62 mm 1,0 lbs/in Arancione extramorbida (2)
AXI233015	Spring 13 x 62mm 1.3 lbs/in Red Soft (2)	Feder 13 x 62 mm 1,0 lbs/in Rot weich (2)	Ressort 13 x 62 mm 1,3 lb/po rouge souple (2)	Molla 13 x 62 mm 1,3 lbs/in Rosso morbida (2)
AXI233016	Spring 13/62mm 1.9lbs/in White Medium	Feder 13 x 62 mm 1,9 lbs/in Weiß mittel	Ressort 13 x 62 mm 1,9 lb/po blanc moyen	Molla 13 x 62 mm 1,9 lbs/in Bianco medio
AXI233017	Spring 13 x 62mm 2.13lbs/in Firm Green (2)	Feder 13 x 62 mm 2,13 lbs/in Fest Grün (2)	Ressort 13 x 62 mm 2,13 lb/po vert ferme (2)	Molla 13 x 62 mm 2,13 lbs/in Verde dura (2)
AXI233018	Spring 13 x 62mm 2.5lbs/in Extra Firm Yellow (2)	Feder 13 x 62 mm 2,5 lbs/in Extra fest Gelb (2)	Ressort 13 x 62 mm 2,5 lb/po jaune extra ferme (2)	Molla 13 x 62 mm 2,5 lbs/in Giallo extradura (2)
AXI234003	Pivot Ball, Stainless Steel 12.75mm (4)	Kugelzapfen, Edelstahl 12,75 mm (4): UTB	Rotule, acier inoxydable 12,75mm (4) : UTB	Pivot ball, inossidabile, 12,75mm (4): UTB
AXI234004	Susp Pivot Ball, Stainless Steel 7.5mm (10)	Kugelzapfen für Federung, Edelstahl 7,5 mm	Rotule de suspension, acier inoxydable 7,5mm	Pivot ball sospensioni, indossabile, 7,5mm
AXI234006	HD Rod Ends M4 (20): Capra	Schwerlast-Stangenköpfe M4 (20): UTB	Embouts de bielle haute résistance M4 (20) : UTB	Teste a snodo per impiego gravoso M4 (20): UTB
AXI234010	Panhard Bar and links (Portal): SCX10 III	Panhard-Stange und Verbindungen (Portal)	Barre de Panhard et tringleries (portique)	Barra e braccetti Panhard (Portal)
AXI234011	Steering Links Stainless Steel	Spurstangen Edelstahl	Tringleries de direction, acier inoxydable	Braccetti di sterzo in acciaio inox
AXI234012	Stainless Steel M6 x 88mm Link (2pcs)	Edelstahl M6 x 88 mm Stange (2 Stk)	Bras en acier inoxydable M6 x 88 mm (2 pièces)	Braccetto M6 x 88 mm acciaio inox (2 pz)
AXI234013	Stainless Steel M6 x 97mm Link (2pcs)	Edelstahl M6 x 97 mm Stange (2 Stk)	Bras en acier inoxydable M6 x 97mm (2 pièces)	Braccetto M6 x 97 mm acciaio inox (2 pz)
AXI234018	SS Link M6 x 154mm 2pc SCX10III	Edelstahl M6 x 54 mm Stange (2 Stk)	Bras en acier inoxydable M6 x 54mm (2 pièces)	Braccetto M6 x 54 mm acciaio inox (2 pz)
AXI234019	SS Link M6 x 162mm 2pc SCX10III	Edelstahl M6 x 162 mm Stange (2 Stk)	Bras en acier inoxydable M6 x 162mm (2 pièces)	Braccetto M6 x 1627 mm acciaio inox (2 pz)
AXI235007	M2 x 14mm Cap Head Screw (10)	Inbusschraube, M2 x 14mm (10)	Vis d'assemblage creuse, M2 x 14mm (10)	Vite a testa cilindrica M2 x 14mm (10)
AXI235014	M2.5 x 10mm Cap Head Screw	Inbusschraube, M2,5 x 10mm (10)	Vis d'assemblage creuse, M2,5 x 10mm (10)	Vite a testa cilindrica M2,5 x 10mm (10)
AXI235094	M2.5 x 3mm Button Head Screw	Rundkopfschraube, M2,5 x 3mm (10)	Vis à tête bombée, M2,5 x 3mm (10)	Vite a testa tonda M2,5 x 3mm (10)
AXI235097	M2.5 x 6mm Button Head Screw	Rundkopfschraube, M2,5 x 6mm (10)	Vis à tête bombée, M2,5 x 6mm (10)	Vite a testa tonda M2,5 x 6mm (10)
AXI235099	M2.5 x 10mm Button Head Screw	Rundkopfschraube, M2,5 x 10mm (10)	Vis à tête bombée, M2,5 x 10mm (10)	Vite a testa tonda M2,5 x 10mm (10)
AXI235102	M2.5 x 18mm Button Head Screw	Rundkopfschraube, M2,5 x 18mm (10)	Vis à tête bombée, M2,5 x 18mm (10)	Vite a testa tonda M2,5 x 18mm (10)
AXI235109	M3 x 14mm Button Head Screw	Rundkopfschraube, M3 x 14mm (10)	Vis à tête bombée, M3 x 14mm (10)	Vite a testa tonda M3 x 14mm (10)
AXI235110	M3 x 16mm Button Head Screw	Rundkopfschraube, M3 x 16mm (10)	Vis à tête bombée, M3 x 16mm (10)	Vite a testa tonda M3 x 16mm (10)
AXI235166	M2.5 x 6mm Flat Head Screw (10)	Sechskant-Flachkopfschraube, M2,5 x 6mm, schwarz (10)	Douille à six pans à tête plate M2,5 x 6mm noire (10)	Vite a testa piana esagonale M2,5 x 6mm nero (10)
AXI235167	M2.5 x 8mm Flat Head Screw (10)	Sechskant-Flachkopfschraube, M2,5 x 8mm, schwarz (10)	Douille à six pans à tête plate M2,5 x 8mm noire (10)	Vite a testa piana esagonale M2,5 x 8mm nero (10)
AXI235168	M2.5 x 10mm Flat Head Screw (10)	Sechskant-Flachkopfschraube, M2,5 x 10mm, schwarz (10)	Douille à six pans à tête plate M2,5 x 10mm noire (10)	Vite a testa piana esagonale M2,5 x 10mm nero (10)
AXI235169	M2.5 x 12mm Flat Head Screw	Sechskant-Flachkopfschraube, M2,5 x 12mm, schwarz (10)	Douille à six pans à tête plate M2,5 x 12mm noire (10)	Vite a testa piana esagonale M2,5 x 12mm nero (10)
AXI235174	M3 x 6mm Flat Head Screw (10)	Sechskant-Flachkopfschraube, M3 x 6mm, schwarz (10)	Douille à six pans à tête plate M3 x 6mm noire (10)	Vite a testa piana esagonale M3 x 6mm nero (10)
AXI235178	M3 x 14mm, Flat Head Screw (10)	Sechskant-Flachkopfschraube, M3 x 14mm, schwarz (10)	Douille à six pans à tête plate M3 x 14mm noire (10)	Vite a testa piana esagonale M3 x 14mm nero (10)

Part #	Description	Beschreibung	Description	Descrizione
AXI235230	M2.5 x 18mm Cap Head Screw (10)	Inbusschraube, M2,5 x 18mm (10)	Vis d'assemblage creuse, M2,5 x 18mm (10)	Vite a testa cilindrica M2,5 x 18mm (10)
AXI236172	Screw Shaft M3 x 2.0 x 12mm (10)	Schraubenschaft M3 x 2 x 12mm	Tige de vis M3 x 2 x 12mm	Albero filettato M3 x 2 x 12mm
AXI236173	M2.5 x 8mm Pin (6)	Stift 2,5x8mm (6)	Axe M2,5x8mm (6)	Perno 2,5x8mm (6)
AXI237003	4mm x 8mm x 3mm Ball Bearing (2)	Lager 4mm x 8mm x 3mm	Roulement 4mm x 8mm x 3mm	Cuscinetto 4mm x 8mm x 3mm
AXI237009	5mm x 13mm x 4mm Bearing	Lager 5mm x 13mm x 4mm	Roulement 5mm x 13mm x 4mm	Cuscinetto 5mm x 13mm x 4mm
AXI43009	1.9 KMC Machete Beadlock Wheels, Satin (2)	1.9 KMC Machete Beadlock-Räder, Satin (2)	Roues à verrou de talon Machete 1,9 KMC, satinées (2)	1.9 KMC Ruote Machete Beadlock, Satinato (2 pz)
AXI43010	1.9 Nitto Trail Grappler M/T 4.74 (Wide) (2)	1.9 Nitto Trail Grappler M/T 4,74 (Breite) (2)	1,9 Nitto Trail Grappler M/T 4,74 (larges) (2)	1.9 Nitto Guida Grappler M/T 4,74 (largo) (2)
AXA0113	Hex Skt Butn Hd M3x6mm	Sechskant-Rundkopfschraube, M3 x 6mm	Douille à six pans à tête bombée M3 x 6mm	Vite a testa tonda con esagono incassato M3 x 6mm
AXA120	Hex Socket Btn Hd M3x25	Sechskant-Rundkopfschraube, M3 x 25mm	Douille à six pans à tête bombée M3 x 25mm	Vite a testa tonda con esagono incassato M3 x 25mm
AXA013	Cap Hd M2x6mm Blk Oxide	Inbusschraube M2 x 6mm, schwarz (10)	Vis d'assemblage creuse M2 x 6mm noire (10)	Vite a testa cilindrica M2 x 6mm nero (10)
AXA086	Cap Hd M3x12mm Blk Oxid	Inbusschraube M3 x 12mm, schwarz (10)	Vis d'assemblage creuse M# x 12mm noire (10)	Vite a testa cilindrica M# x 12mm nero (10)
AXA114	Hex Skt Butn Hd M3x8mm	Sechskant-Rundkopfschraube, M3 x 8mm	Douille à six pans à tête bombée M3 x 8mm	Vite a testa tonda con esagono incassato M3 x 8mm
AXA115	Hex Skt Butn Head M3x10	Sechskant-Rundkopfschraube, M3 x 10mm	Douille à six pans à tête bombée M3 x 10mm	Vite a testa tonda con esagono incassato M3 x 10mm
AXA116	Hex Skt Butn Hd M3x12mm	Sechskant-Rundkopfschraube, M3 x 12mm	Douille à six pans à tête bombée M3 x 12mm	Vite a testa tonda con esagono incassato M3 x 12mm
AXA144	Hex Flt Hd M3x8mm Blk10	Sechskant-Flachkopfschraube, M3 x 8mm, schwarz (10)	Douille à six pans à tête plate M3 x 8mm noire (10)	Vite a testa piana esagonale M3 x 8mm nero (10)
AXA469	Hex Skt Tap Flat Hd M3	Sechskant-Flachkopfschraube, M3 x 20mm, schwarz (10)	Douille à six pans à tête plate M3 x 20mm noire (10)	Vite a testa piana esagonale M3 x 20mm nero (10)
AXA146	Hex Skt Flat Hd M3x12mm	Sechskant-Flachkopfschraube, M3 x 12mm, schwarz (10)	Douille à six pans à tête plate M3 x 12mm noire (10)	Vite a testa piana esagonale M3 x 12mm nero (10)
AXA1201	O-ring 3x2mm P3 (10)	O-Ring 3 x 2 mm P3 (10)	Joint torique 3 x 2 mm P3 (10)	O-Ring 3 x 2 mm P3 (10)
AXA1218	Bearing 5x10x4mm	Lager 5mm x 10mm x 4mm	Roulement 5mm x 10mm x 4mm	Cuscinetto 5mm x 10mm x 4mm
AXA1221	Bearing 5x11x4mm	Lager 5mm x 11mm x 4mm	Roulement 5mm x 11mm x 4mm	Cuscinetto 5mm x 11mm x 4mm
AXA1230	Bearing 10x15x4mm	Lager 10mm x 15mm x 4mm	Roulement 10mm x 15mm x 4mm	Cuscinetto 10mm x 15mm x 4mm
AXA0286	Screw Shaft M4x2.5x12	Schraubenschaft M4 x 2,5 x 12 mm	Tige de vis M4 x 2,5 x 12mm	Albero filettato M4 x 2.5 x 12mm
AXA291	Set Scr M4x4mm Blk Ox(6)	Stellschraube, M4 x 4mm, Schwarzoxid (6)	Vis de fixation M4 x 4mm brunie (6)	Vite di fermo M4 x 4 mm ossido nero (6)
AXA1392	E-clip E2 (10)	E-Clip E2 (10)	E-Clip, E2 (10)	E-Clip, E2 (10)
AX30725	Pinion Gear 32P 14T - Steel (3mm Motor Shaft)	Ritzel 32P 14T Stahl (3mm)	Pignon 32P 14T en acier (3mm)	Pignone 32P 14T acciaio (3mm)
AXI235176	M3 x 10mm, Flat Head Screw (10)	Sechskant-Flachkopfschraube, M3 x 10mm, schwarz (10)	Douille à six pans à tête plate M3 x 10mm noire (10)	Vite a testa piana esagonale M3 x 10mm nero (10)
AX31586	Wb8-hd Std Driveshafts	WB8-HD Standard-Antriebswelle	Arbre de transmission standard WB8-HD	Albero di trasmissione standard WB8-HD
AXA0109	Hex Skt Oversize M3x10mm	Übergroße Sechskantschraube 3 x 10 mm (10)	Douille à six pans surdimensionnée 3 x 10 mm (10)	Vite oversize con esagono incassato 3x10 mm (10)
AX31028	Pin 2.0x11mm (6)	Stift 2 x 11mm (6)	Axe 2 x 11mm (6)	Perno 2 x 11mm (6)
AXA1040	Thin Hex Nut M3 Black (10)	Dünne Sechskantmutter M3 Schwarz (10)	Contre-écrou à six pans fin M3 noir (10)	Dado esagonale sottile M3 nero (10)
AXA150	Hex Skt Flt Hd M3x25mm (10)	Sechskant-Flachkopfschraube, M3 x 25mm, schwarz (10)	Douille à six pans à tête plate M3 x 25mm noire (10)	Vite a testa piana esagonale M3 x 25mm nero (10)
AX31148	Wb8-hd Drvshft Coupler	WB8-HD Antriebswelle Koppler-Satz	Ensemble de coupleur d'arbre de transmission WB8-HD	Set accoppiatore dell'albero di trasmissione WB8-HD
AXA1179	O-ring 2.5x1.5mm (10)	O-Ring 2,5 x 1,5 mm (10)	Joint torique 2,5 x 1,5 mm (10)	O-Ring 2,5 x 1,5 mm (10)
AXA118	Hex Socket BtnHd M3x18mm(10)	Sechskant-Rundkopfschraube, M3 x 18mm	Douille à six pans à tête bombée M3 x 18mm	Vite a testa tonda con esagono incassato M3 x 18mm
AXA119	Hex Socket Btn Hd M3x20(10)	Sechskant-Rundkopfschraube, M3 x 20mm	Douille à six pans à tête bombée M3 x 20mm	Vite a testa tonda con esagono incassato M3 x 20mm
AX31185	Sckt Flt Hd M3x10mm (10)	Sechskant-Flachkopfschraube, M3 x 10mm, schwarz (10)	Douille à six pans à tête plate M3 x 10mm noire (10)	Vite a testa piana esagonale M3 x 10mm nero (10)
AXA1243	Bearing 15x21x4mm (2)	Lager 15mm x 21mm x 4mm	Roulement 15mm x 21mm x 4mm	Cuscinetto 15mm x 21mm x 4mm
AXA1391	E-Clip E4 (10)	E-Clip, 4mm	E-Clip, 4mm	E-Clip, 4mm
AX31066	Cap Hd M2x8mm Blk (10)	Inbusschraube M2 x 8mm, schwarz (10)	Vis d'assemblage creuse M2 x 8mm noire (10)	Vite a testa cilindrica M2 x 8mm nero (10)
AX31250	Ser Nyl Nut Blk 4mm(10)	Nylon-Feststellflanschmutter, 4mm (10)	Contre-écrou en nylon strié 4mm (10)	Dato flangiato Nylock nero 4mm (10)
AX30165	Pin 2.5x12mm (6)	Stift 2,5 x 12mm (6)	Axe M2,5 x 12mm (6)	Perno 2,5 x 12mm (6)
AX31231	Body Clips 8mm (10)	Gehäuseklemmen, 6mm	Clips de carrosserie, 6mm	Clip carrozzeria, 6mm
AX31374	Body Clip Black 3mm(10)	Gehäuseklemmen, 3mm	Clips de carrosserie, 3mm	Clip carrozzeria, 3mm
AX31403	Bttn Hd Scrw M3x4x10mm (6)	M3 x 4 x 10 mm Sechskant-Rundkopf-Schulterschraube (6)	Vis à épaulement à tête bombée hexagonale M3 x 4 x 10 mm (6)	Vite a perno testa tonda esagonale M3 x 4 x 10 mm (6)
AX31406	Bearing 7x14x3.5mm (2)	Lager 7mm x 14mm x 3,5mm	Roulement 7mm x 14mm x 3,5mm	Cuscinetto 7mm x 14mm x 3,5mm
AX31407	Bearing 5x14x5mm (2)	Lager 5mm x 14mm x 5mm	Roulement 5mm x 14mm x 5mm	Cuscinetto 5mm x 14mm x 5mm

OPTIONAL PARTS // OPTIONALE TEILE // PIÈCES FACULTATIVES // PARTI OPZIONALI

Part #	Description	Beschreibung	Description	Descrizione
AXI230025	Uni Body Post Set: SCX10 III	Universal-Gehäusestangensatz: SCX10 III	Ensemble poteau de carrosserie universel : SCX10 III	Set supporti scocca uni: SCX10 III
AXI231013	Servo Horn, Metal 25T: SCX10III	Servohorn, Metall 25T: SCX10III	Renvoi de commande de servo, métallique 25T : SCX10III	Squadretta servo, metallo 25T: SCX10III
AXI231018	Receiver Box: SCX10III	Empfängerbox: SCX10III	Boîtier de récepteur : SCX10III	Scatola ricevitore: SCX10III

ELECTRONICS // ELEKTRONIK // COMPOSANTS ÉLECTRONIQUES // ELETTRONICA

Part #	Description	Beschreibung	Description	Descrizione
DYNS1216	35T Electric Motor	35T Elektromotor	Moteur électrique 35T	Motore elettrico 35T
SPM2340	DX3 SMART 3CH Transmitter	DX3 SMART 3CH Sender	DX3 Smart 3CH Émetteur	DX3 Smart 3CH Trasmettitore
SPMS614	Metal Gear Servo	Metallgetriebeservo	Servo à engrenages métalliques	Servo, ingranaggio metallico
SPMXSE1040RX	40 Amp Brushed Smart 2-in-1 ESC and Receiver	40 Amp Empfänger/Geschwindigkeitsregler-Kombination	Combinaison récepteur/ESC 40 Amp	Combo Ricevitore/ESC 40 Amp
AXI230031	SCX10-III Jeep LED Light Set (White/Red)	SCX10-III Jeep LED-Leuchten (weiß, rot)	Ensemble de témoins DEL SCX10-III (blanc, rouge)	Set luci LED SCX10-III (bianco, rosso)
SPMSSX107	SX107 Micro Analog Metal Gear Surface Servo	SX107 Analoges Micro-Metallgetriebe-Oberflächenservo	Micro servo de surface à engrenage métallique analogique SX107	Servo micro sup. analogico ingr. metallo SX107

NOTES // ANMERKUNGEN // REMARQUES // NOTA



EXPLORE

facebook.com/axialinc | instagram.com/axialracing | twitter.com/axialrc
youtube.com/axialvideos | flickr.com/axialrc



©2020 Horizon Hobby, LLC.

Axial, the Axial logo, DSM, DX3, IC3 and the Horizon Hobby logo are trademarks or registered trademarks of Horizon Hobby, LLC.

The Spektrum trademark is used with permission of Bachmann Industries, Inc.

Jeep, the Jeep grille and related logos, vehicle model names and trade dress are trademarks of FCA US LLC and used under license by Horizon Hobby, LLC, ©2020 FCA US LLC.

The CRC name and logo are trademarks or registered trademarks of Casey Currie Motorsports and are used under license. Nitto is a registered trademark of Nitto Tire U.S.A.,

Inc. and is used under license. The KMC Wheels name and logo are property of WheelPros, LLC and are used under license.

All other trademarks, service marks and logos are property of their respective owners.

Completed 7/20

AXI03006 T1/T2

63253.1