



Winch Mount Plate Kit

Installation Manual: for Wranglers & Gladiators
#92122-2902



! WARNING !

TO REDUCE RISK OF SERIOUS INJURY OR PROPERTY DAMAGE: READ ALL SAFETY MESSAGES AND UNDERSTAND ALL INSTRUCTIONS AND PROCEDURE NOTICES BEFORE ATTEMPTING TO INSTALL OR USE THIS PRODUCT.

! CAUTION !

RISK OF EYE INJURY! SAFETY GLASSES MUST BE WORN AT ALL TIMES WHILE INSTALLING OR MAINTAINING THIS PRODUCT. TORQUE AND RECHECK FASTENERS AFTER 250 MILES AND FREQUENTLY THEREAFTER. DO NOT USE IF DAMAGED.

NOTICE

AN AUXILLARY SKID PLATE ADDS EXTRA PROTECTION ON THE TRAIL, BUT IT CAN NOT GUARANTEE AGAINST ALL POSSIBLE DAMAGE FROM LARGE OBJECTS YOU MAY ENCOUNTER. ALWAYS DRIVE WITH RESPECT FOR OBJECTS AND TERRAIN THAT COULD DAMAGE SENSITIVE PARTS OF THE VEHICLE.

A FEW WORDS ABOUT PRODUCT SAFETY:

Your Carnivore Winch Mount Plate is intended to enhance the utility and enjoyment of your off road capable vehicle. Follow safety information and installation recommendations. Throughout these instructions is important safety information that is generally preceded by one of three signal words indicating the relative risk of injury, property damage or adverse consequence.

The signal words mean:

! WARNING !

A HAZARDOUS SITUATION WHICH, IF NOT AVOIDED, COULD RESULT IN DEATH OR SERIOUS INJURY. YOU CAN BE KILLED OR SERIOUSLY HURT IF YOU DON'T FOLLOW INSTRUCTIONS.

! CAUTION !

A HAZARDOUS SITUATION WHICH, IF NOT AVOIDED, COULD RESULT IN A MINOR OR MODERATE INJURY. YOU CAN BE MODERATELY HURT AND ALSO MAY SUFFER PROPERTY DAMAGE IF YOU DON'T FOLLOW INSTRUCTIONS.

NOTICE

CAREFUL ATTENTION IS REQUIRED TO THIS INSTRUCTION OR OPERATION BUT DOES GENERALLY NOT RELATE TO PERSONAL INJURY. DAMAGE TO YOUR CARNIVORE® PRODUCT OR OTHER PROPERTY MAY RESULT IF YOU DON'T FOLLOW INSTRUCTIONS.

BEFORE YOU BEGIN INSTALLATION:

Congratulations on your purchase of Carnivore Winch Mount Plate for your Jeep® Wrangler. This custom Winch Plate Kit has been designed for protection, long life, and great looks. When unpacking, check to make sure all parts are included and not damaged due to shipping. If any part is missing or broken, please call Customer Service at 800-745-6037 as soon as possible. Thank you again for your purchase and let's start the installation process.

! CAUTION !

READ ALL SAFETY MESSAGES AND ALWAYS WEAR SAFETY GLASSES WHEN WORKING WITH TOOLS.

! CAUTION !

SHARP EDGES ARE POSSIBLE! GLOVES MUST BE WORN AT ALL TIMES WHILE INSTALLING OR MAINTAINING THIS PRODUCT. DO NOT USE IF DAMAGED.

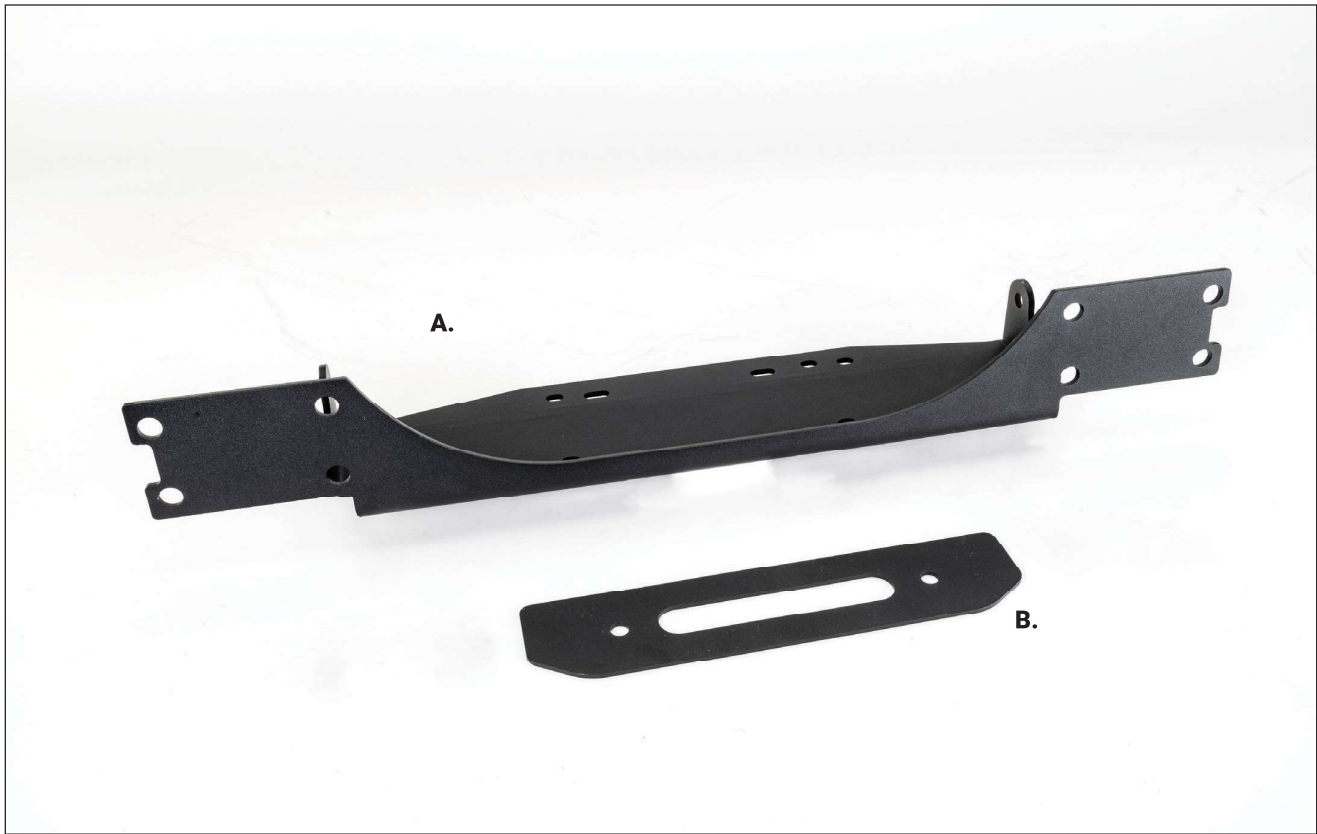
! WARNING !

ALWAYS FOLLOW ALL SAFETY WARNINGS, CAUTIONS AND NOTICES IN THE INSTALLATION INSTRUCTIONS AND DOCUMENTATION THAT CAME WITH YOUR RECOVERY WINCH. THIS DOCUMENT ONLY REFERS TO THE WINCH MOUNTING PLATE INSTALLATION.

NOTICE

WE ALSO RECOMMEND THAT YOU HAVE A HELPER NEARBY AS SOME OF THE STEPS OUTLINED BELOW WILL BE MUCH EASIER WITH THE HELP OF ANOTHER SET OF HANDS.





REQUIRED TOOLS:

- Safety Glasses
- Gloves
- 16mm Socket
- 17mm Socket
- 18mm Socket
- T45 Torx Bit
- Ratchet
- Pry Tool

KIT CONTENT LIST:

- A. Winch Plate Plate (1)
- B. Fairlead Support Bracket (1)
- C. M10 Flat Washer/Spacer (8)
- D. M10 Lock Washer (4)
- E. M10 x 1.50 x 40mm Hex Head Bolt (4)
- F. M10 Hex Nut (2)

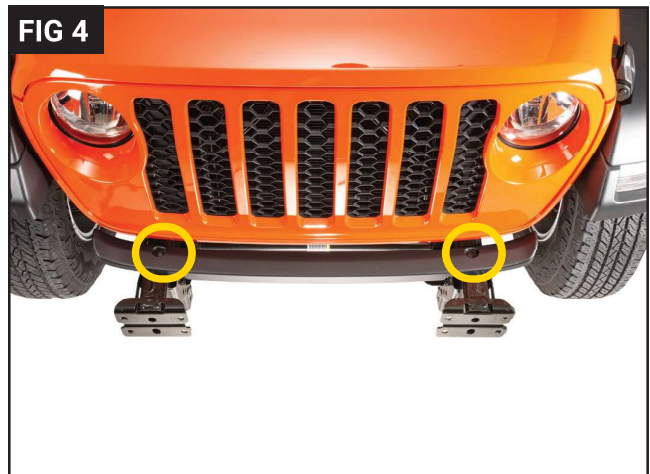


STEP 1



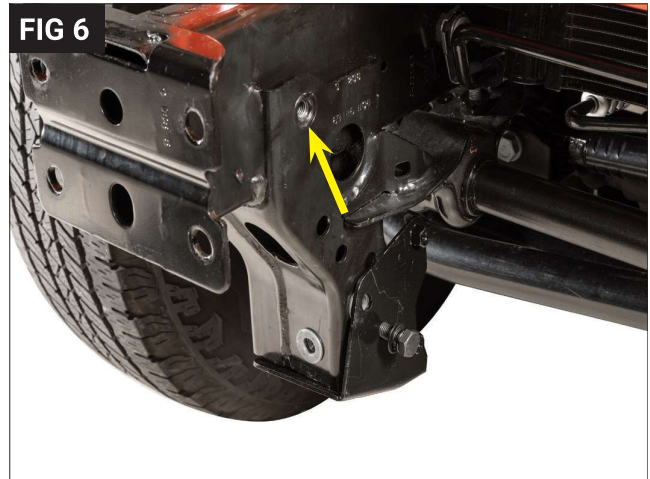
Put on safety glasses. Locate the fog light harness plug on the right side of the vehicle frame and disconnect it. (FIG 1) Locate the eight (8) nuts on the backside of the front bumper. There are four (4) nuts on each side. (FIG 2)

STEP 2



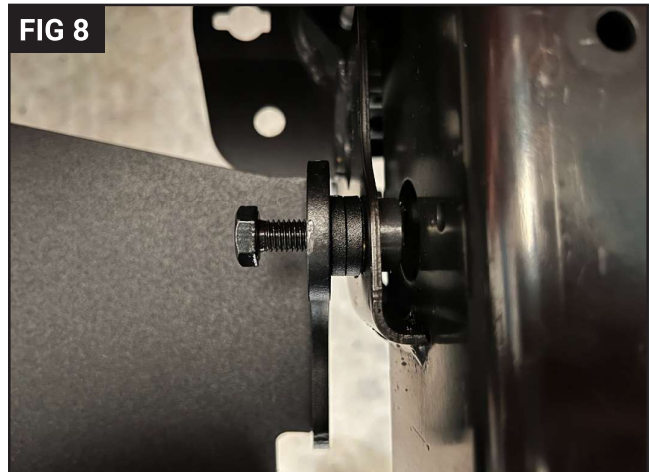
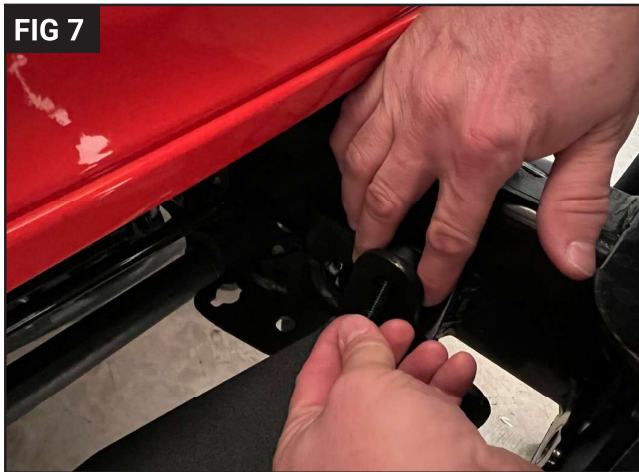
Using an 18mm socket, remove the eight (8) 18mm nuts from the backside of the front bumper. (FIG 3) Retain these nuts to be used during reassembly. Locate and remove the 2 plastic push-pin rivets retaining the plastic frame cover. (FIG 4) This will not be reinstalled with the winch plate installed.

STEP 3



Align the winch plate with the bumper mounts and front frame rails. (FIG 5) With the four holes for each bumper mount aligned, notice the mounting tab on each side of the horizontal flat surface should line up approximately with a threaded mounting point on the inside of the frame rails. (FIG 6)

STEP 4



Having an assistant hold the winch plate as described in previous step, place an M10 hex head bolt with an M10 lock washer through the hole in the tab of the winch plate. There will be a gap between the tab and the threaded mounting point. (FIG 7) Use one or more M10 flat washer / spacer on each side to fill in the space and loosely thread bolt in to

STEP 5

FIG 9



FIG 10



Repeat the previous step on the other side. (FIG 9) It is ok if the number of flat washers / spacers are not the same on both sides. (FIG 10)

FIG 11



FIG 12



Make sure that the front of the winch plate is in the proper alignment so that all 4 holes are lined up on each side. (FIG 11) Put an M10 bolt and nut in the upper, outside corner spot to hold the plate in place (these bolt will be removed before reinstalling the bumper). Tighten the M10 bolts. Torque to 74 ft. lbs. **Note:** This is a great time to install your

STEP 6

FIG 13

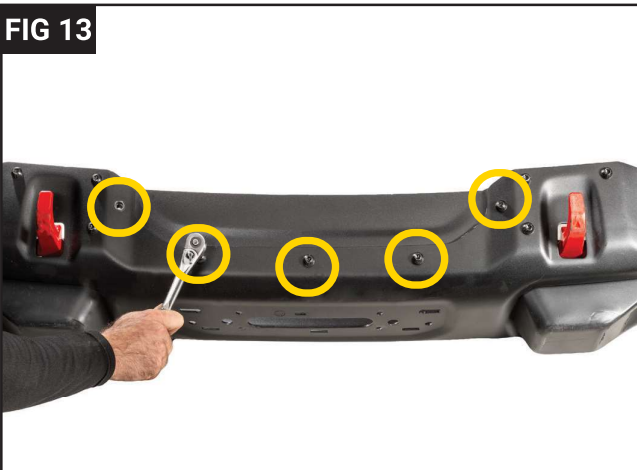
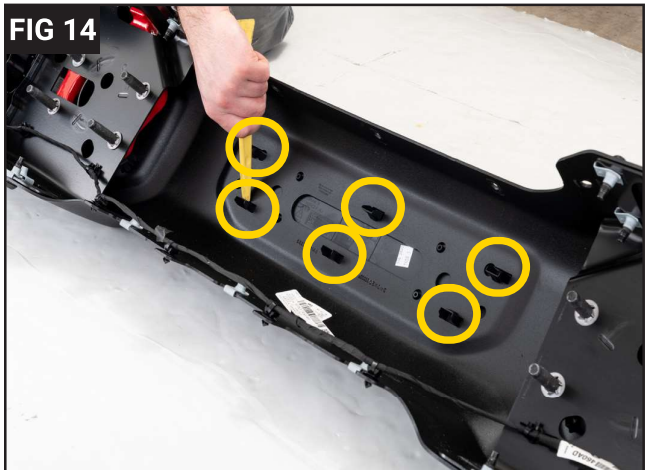


FIG 14



Using the T45 Torx Bit, remove the 5 torx button head bolts and remove the winch block off plate from the bumper. (FIG 13) This will not be reused in the installation. Use a pry tool to disconnect the 6 tabs to remove the fairlead block off plate. (FIG 14)

STEP 7



Place the fairlead support bracket on the outside of the bumper. The fairlead support bracket should nest onto the bumper. Use the hardware from the fairlead from your winch to mount and secure fairlead and fairlead support bracket. (FIG 15) Note: If you are not installing a fairlead, the fairlead support bracket can be installed using two (2)

STEP 8



Remove the two alignment M10 bolts installed in Step 5. Lift and reinstall the bumper back onto the bumper mount on the frame rails. Make sure all eight (8) bolts are through the mount holes in the winch plate and bumper mount. Tighten the original bolts using an 18mm Socket and ratchet. Torque nuts to 67 ft. lbs. (FIG 17)

Carnivore Exclusive Three Year Limited Warranty

Your Carnivore branded accessories are covered by the following Limited Warranty provided exclusively by Carnivore, 1028 Saunders Lane, West Chester PA 19380.

This **Limited Warranty** is the only warranty made in connection with your purchase. Carnivore neither assumes nor authorizes any vendor, retailer or other person or entity to assume for it any other obligation or liability in connection with this product or Limited Warranty. This Limited Warranty does not apply and is not cumulative to any accessory or part distributed by Carnivore for which the Manufacturer provides a separate written warranty.

What is Covered:

Subject to the terms, exclusions and limitations herein and with respect only to Carnivore branded accessories first sold in the United States, Carnivore warrants to the initial retail purchaser only that your Carnivore accessory shall be free of defects in material and workmanship: for a period of three (3) years from date of retail purchase.

This **Limited Warranty** is not assignable and shall terminate upon sale of the vehicle upon which the Carnivore accessory is installed or other transfer to third persons.

All other warranties are hereby disclaimed, except to the extent prohibited by applicable law in which case any implied warranty of merchantability or fitness for a particular purpose on this product is limited to three (3) years from date of initial retail sale. Carnivore reserves the rights to: **(a.) require invoice or other proof your accessory is within the terms of this Limited Warranty as a condition of warranty service and, (b.) make future revisions to this product and Limited Warranty without prior notice or obligation to upgrade your product.**

What is Not Covered:

Your Carnivore Limited Warranty does not cover products or parts Carnivore determines to have been damaged by or subjected to: **(a.) installation damage, alteration, modification, combination with other parts, failure to maintain or improper repair or service, (b.) normal wear & tear, cosmetic damage or damage from moisture or water immersion, (c.) Acts of God, accidents, misuse, negligence, inadequate mounting or impact with vehicle(s), obstacles or other aspects of the environment, (d.) theft, vandalism or other intentional damage.**

Remedy Limited to Repair/Replacement:

The exclusive remedy provided hereunder shall, upon Carnivore inspection and at our option, be either repair or replacement of product or parts (new or refurbished) covered under this Limited Warranty. Customers requesting warranty consideration should first contact Carnivore to obtain a RGA number (610-701-3336). All labor, removal, shipping and installation costs are customer's responsibility.

Other Limitations - Exclusion of Damages - Your Rights Under State Law:

In consideration of the purchase price paid, neither Carnivore nor any independent Carnivore distributor/licensee are responsible for any time loss, rental costs, or for any incidental, consequential, punitive or other damages you may have or incur in connection with any part or product purchased. Your exclusive remedy hereunder for covered parts is repair/replacement as described above.

This **Limited Warranty** gives you specific rights. You may also have other rights that vary from state to state. For example, some states do not allow limitations of how long an implied warranty lasts and /or do not allow the exclusion or limitation of incidental or consequential damages, so the limitations and exclusions herein may not apply to you.

Carnivore. 2022. All Rights Reserved.
A4 Version 6/25/22

