



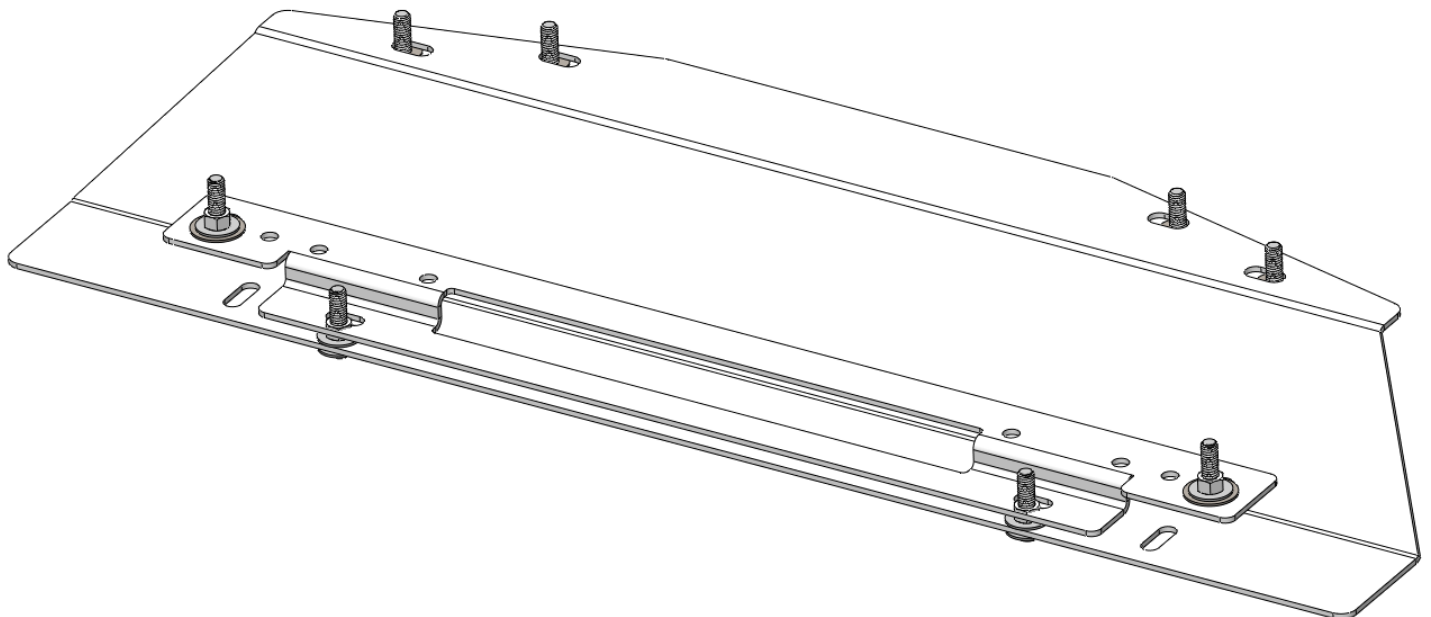
**BLACK-OPS SERIES**

**JK**

**JEEP JK BLACK OPS FRONT  
BUMPER SKID PLATE**

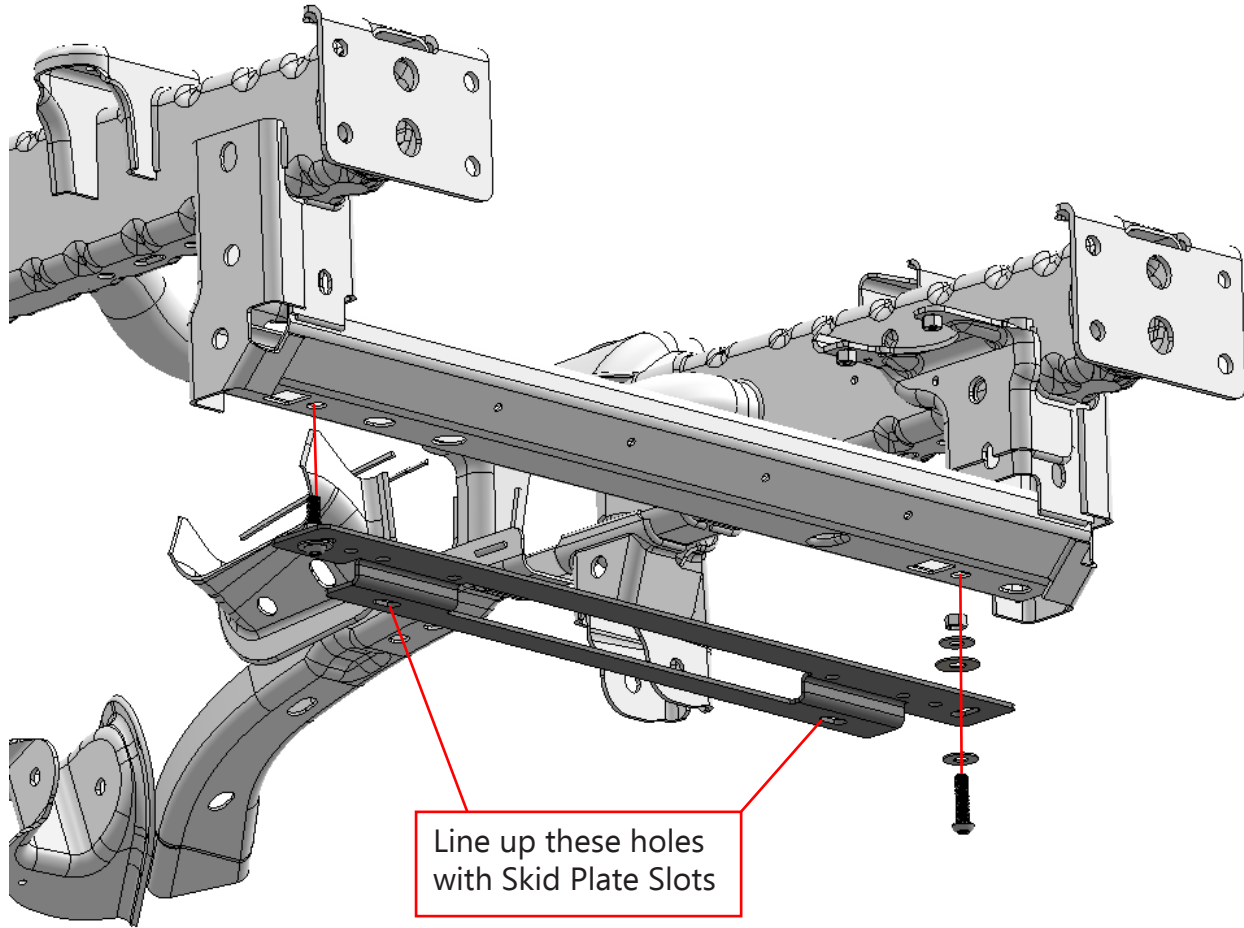


**\*VERIFY YOU HAVE ALL THE COMPONENTS BEFORE STARTING THE INSTALLATION. REFER TO THE  
ENGINEERING DRAWINGS AT THE END OF THIS DOCUMENT FOR A COMPLETE PARTS LIST\***



You will need to remove your factory skid plate to install your new Black Ops Front Bumper Skid Plate.

Start by placing the JK Skid Plate Adapter onto the crossmember as shown in the picture below. There are several mounting hole locations. Depending on your Jeep, choose the mounting holes that line up correctly. Use (2)  $\text{\O}3/8''$  x 1.0'' long Button Head Screws, washers and nuts provided to loosely install the Adapter Plate.



With the Adapter Plate loosely installed, place the Black Ops Skid Plate in position under the bumper. Check to make sure the mounting holes on the Adapter Plate line up with the slotted holes on the back of the Skid Plate.

Position the Adapter Plate as needed and then securely tighten the Adapter Plate to the crossmember.

Finish installing the Black Ops Skid Plate as shown using the (4) Ø3/8 x 1.00" long Button Head Screws up into the bottom of the bumper and the (2) Ø3/8 x 1.00" long Button Head Screws up into the Adapter Plate.

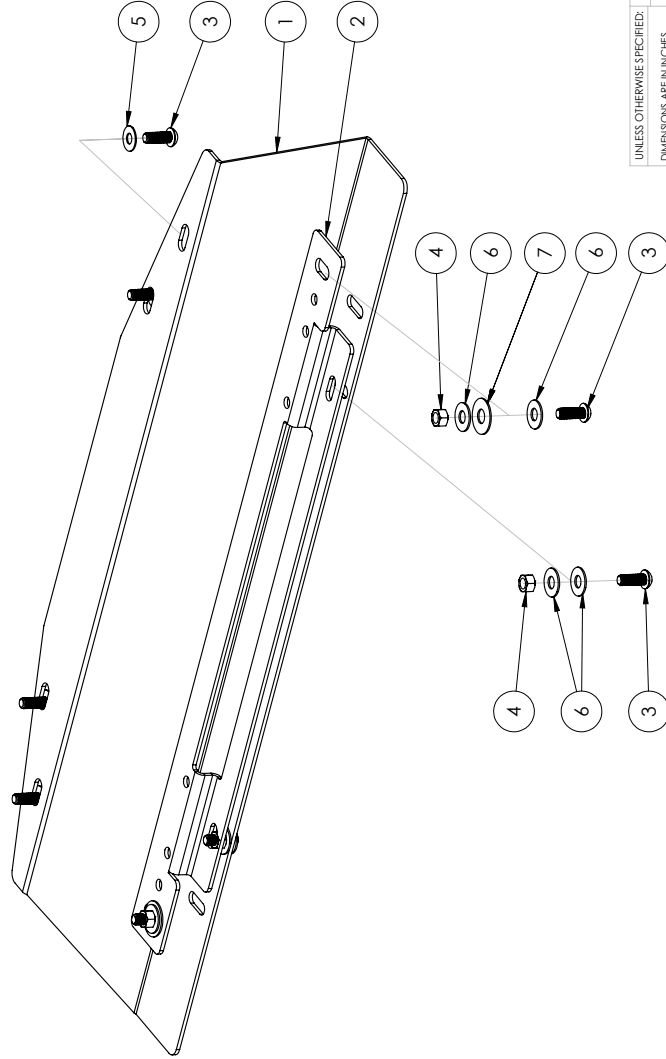


### **\*\*Maintenance\*\***

- Periodically check and re-tighten all fasteners.
- 
- Periodically check your product for scratches, dings, or rust spots which can happen over time or after heavy use. It is important to address these areas as soon as possible to prevent rust and corrosion from spreading. We recommend using Rustoleum® brand Black Semi-Gloss Protective Enamel (oil based). Apply using a foam brush by dabbing to match the powder coat texture.



ITEM NO.	PART NUMBER	DESCRIPTION	QTY.
1	2JSP1880-02	JEEP BLACK OPS SKID PLATE	1
2	2JSP0780-01	JK SKID PLATE ADAPTER	1
3	BHSCS381616ZP	BHSCS 3/8-16 X 1.00 ZINC PLATE	8
4	HN3816ZPCGR5	HEX NUT 3/8-16 ZINC PLATE GR5	4
5	FW3114ZP	FLAT WASHER Ø5/16" X .875" ZINC PLATE	4
6	FW3816ZP	FLAT WASHER Ø3/8" X 1.00 ZINC PLATE	8
7	FW4318ZP	FLAT WASHER Ø7/16 X 1.25" ZINC PLATED	2



- NOTES:**
1. JSP0780 = BARE STEEL OPTION
  2. JSP0781 = BLACK POWDER COAT
  3. WEIGHT = APPROX 16 LBS

UNLESS OTHERWISE SPECIFIED:		NAME	DATE
DRAWN	MCH		5/26/2022
CHECKED			
ENG APPR.			
MEG APPR.			
DIMENSIONS ARE IN INCHES		LOD LLC.	
TOLERANCES UNLESS OTHERWISE SPECIFIED:		DESCRIPTION:	
ANGULAR: MACH 1°		JEEP JK BLACK OPS SKID PLATE	
TWO PLACE DECIMAL ±0.015			
THREE PLACE DECIMAL ±0.005			
MATERIAL:		DWG. NO. JSP0780	
PROPRIETARY AND CONFIDENTIAL		JSP0781	
THE INFORMATION CONTAINED IN THIS DRAWING IS THE SOLE PROPERTY OF LOD LLC. ANY REPRODUCTION OR TRANSMISSION OF THIS INFORMATION WITHOUT THE WRITTEN PERMISSION OF LOD LLC IS PROHIBITED.		SCALE: 1:4	
FINISH: SEE NOTES		SHEET SIZE: B	
ECO: -		REV A	
		SHEET 1 OF 1	





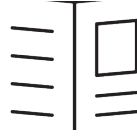
**JEEP JK**  
**BLACK-OPS SERIES**  
 FRONT BUMPER SKID PLATE  
 SHIPPING SHEET

Packaged by:

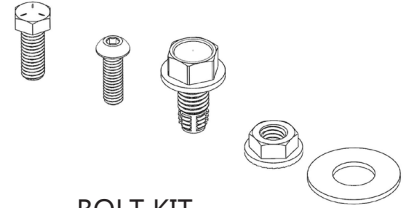
\_\_\_\_\_

On:

\_\_\_\_\_

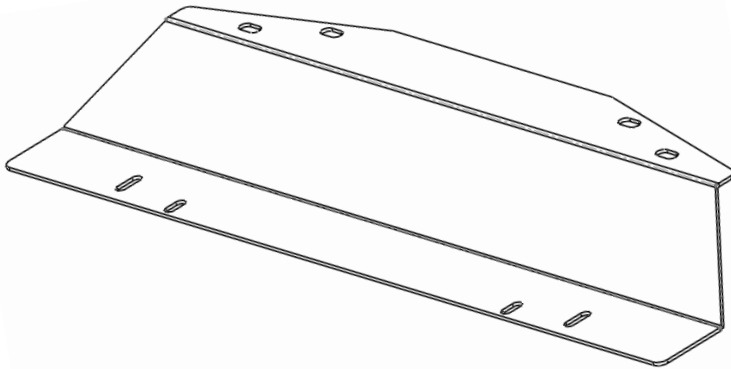


INSTRUCTION  
SHEET



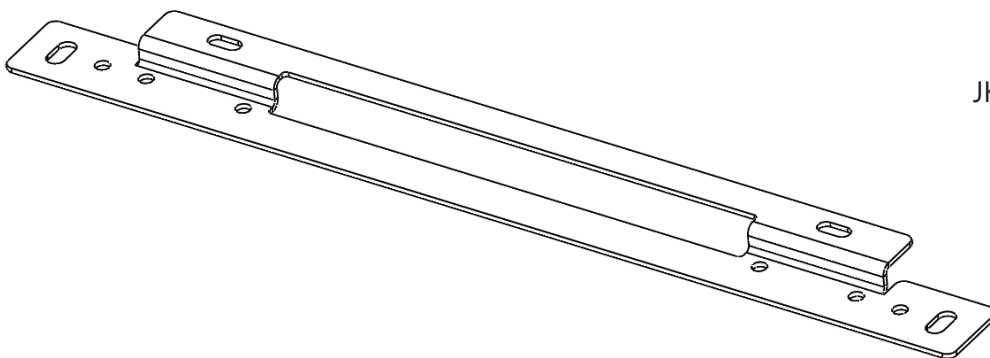
BOLT KIT  
JSP0780-BK

**(x1)**



JEEP FRONT BUMPER SKID PLATE  
2JSP1880-02

**(x1)**



JK SKID PLATE ADAPTER  
2JSP0780-01

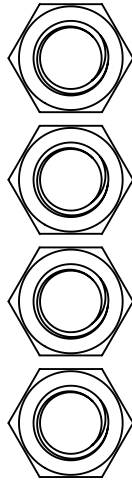
**(x1)**



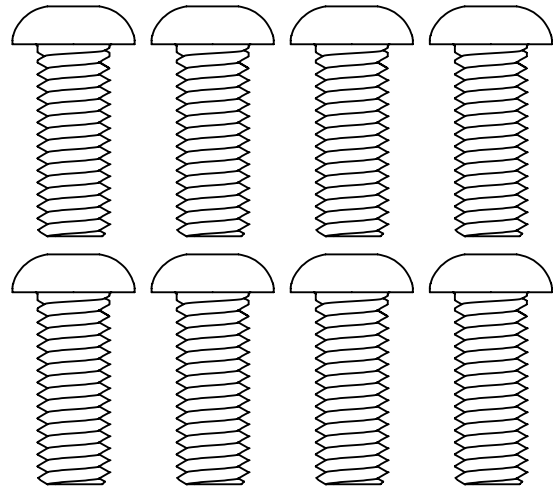


**JEEP JK**  
**BLACK-OPS SERIES**  
**FRONT BUMPER SKID PLATE**  
**JSP0780-BK**  
 Bolt Kit  
 Packaged by:

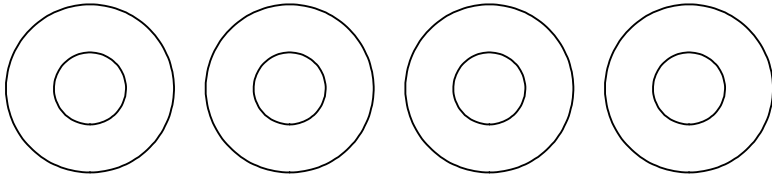
On: \_\_\_\_\_  
 \_\_\_\_\_



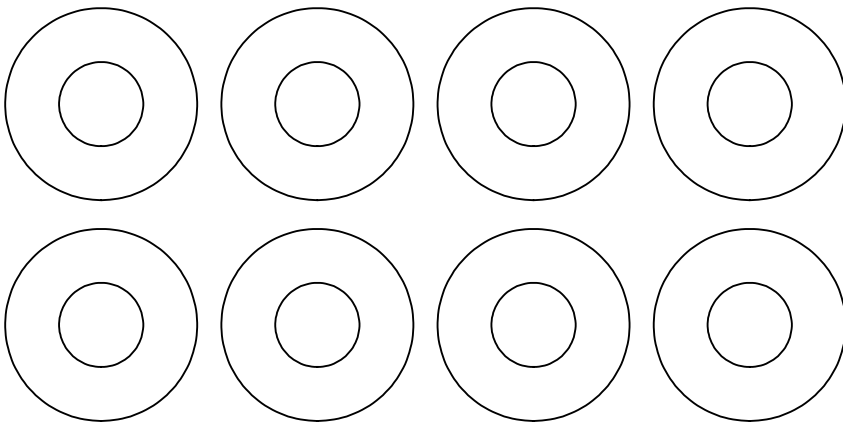
HEX NUT 3/8-16  
 (36306)  
**(x4)**



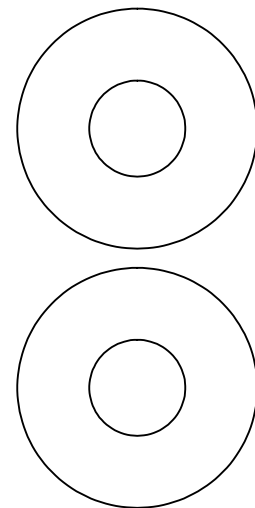
BUTTON HEAD SCREW  
 3/8-16 X 1.00" LG  
 (94092)  
**(x8)**



FLAT WASHER  
 Ø5/16" X .875"  
 (0159678)  
**(x4)**



FLAT WASHER  
 Ø3/8" X 1.00"  
 (0159679)  
**(x8)**



FLAT WASHER  
 Ø7/16" X 1.25"  
 (0159680)  
**(x2)**

