

# TACTIK® Low Profile Tri-Fold Hard Tonneau Cover

Installation & Use Instructions:

For Part # 72074-8000/72074-

8001/12074-1000

## ⚠ WARNING ⚠

TO REDUCE RISK OF SERIOUS INJURY OR PROPERTY DAMAGE: READ ALL SAFETY MESSAGES AND UNDERSTAND ALL INSTRUCTIONS AND PROCEDURE NOTICES BEFORE ATTEMPTING TO INSTALL OR USE THIS PRODUCT.

## ⚠ CAUTION ⚠

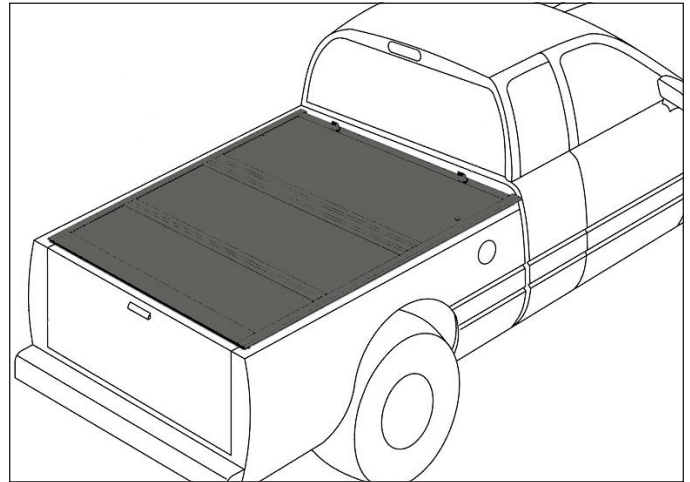
RISK OF EYE INJURY! SAFETY GLASSES MUST BE WORN AT ALL TIMES WHILE INSTALLING OR MAINTAINING THIS PRODUCT. DO NOT USE IF DAMAGED.

## ⚠ CAUTION ⚠

DO NOT EXCEED RATED WEIGHT CAPACITY OF TONNEAU COVER. DO NOT EXCEED RATED WEIGHT CAPACITY OF TRUCK. REFER TO TRUCK'S GROSS VEHICLE WEIGHT RATING.

## ⚠ CAUTION ⚠

THE WARNINGS, CAUTIONS, AND INSTRUCTIONS DISCUSSED IN THIS INSTRUCTION MANUAL CANNOT COVER ALL POSSIBLE CONDITIONS OR SITUATIONS THAT COULD OCCUR.

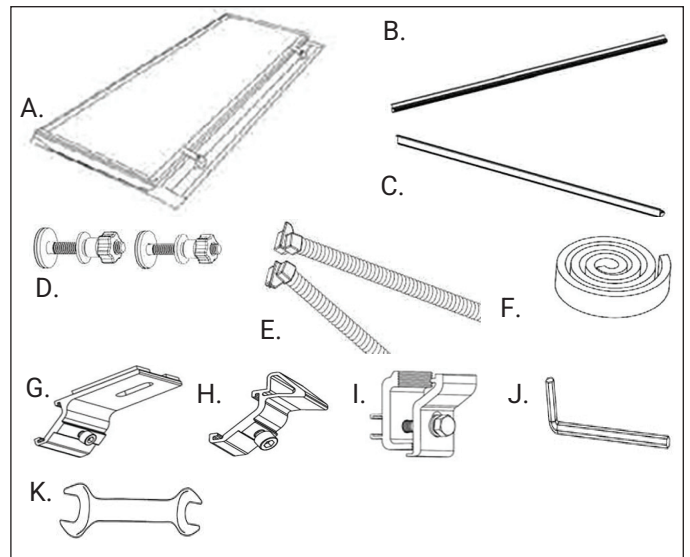


## PARTS LIST

- A. Tonneau Cover - (x1)
- B. Left Side Rail - (x1)
- C. Right Side Rail - (x1)
- D. Front Bolt - (x2)
- E. Drain Tube - (x2)
- F. Foam Seal Tape - (x1)
- G. Front Support Plate (Including Bolts) - (x2)
- H. Side Rail Locking Tongue - (x2)
- I. Clamp Assembly - (x4)
- J. Allen Wrench - (x1)
- K. 17MM Wrench - (x1)

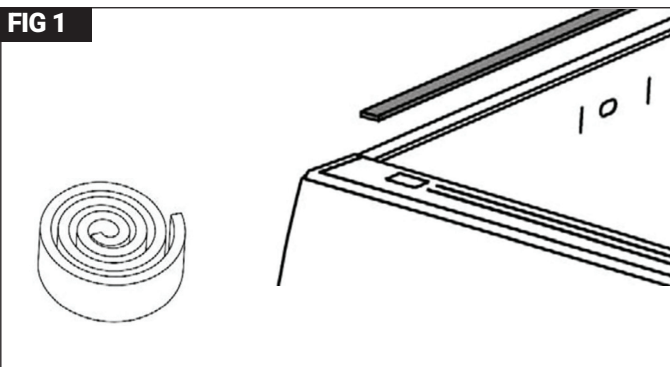
## REQUIRED TOOLS

- Safety Glasses
- Allen Wrench
- 17mm Wrench



## INSTALLATION

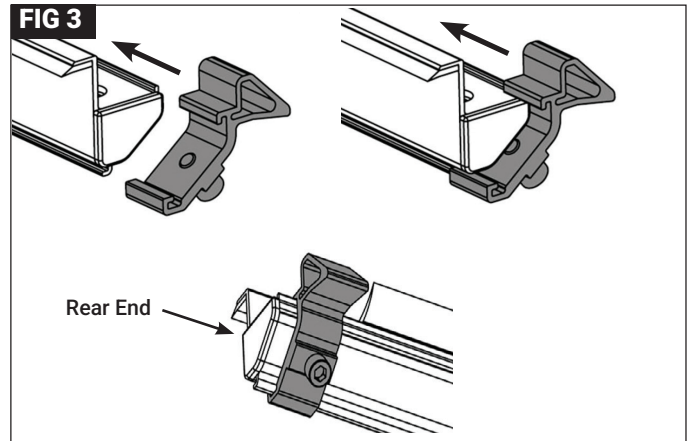
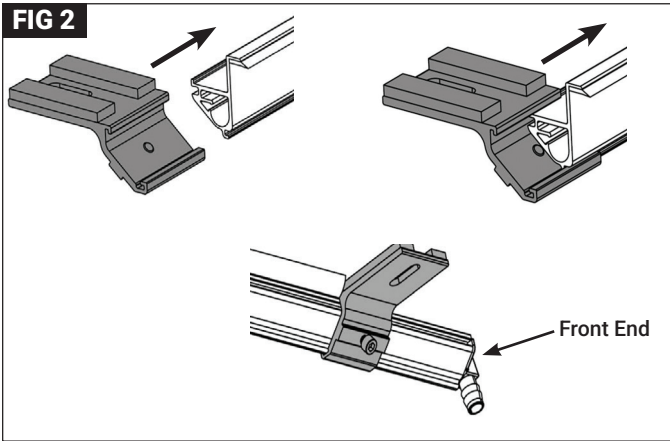
FIG 1



### STEP 1

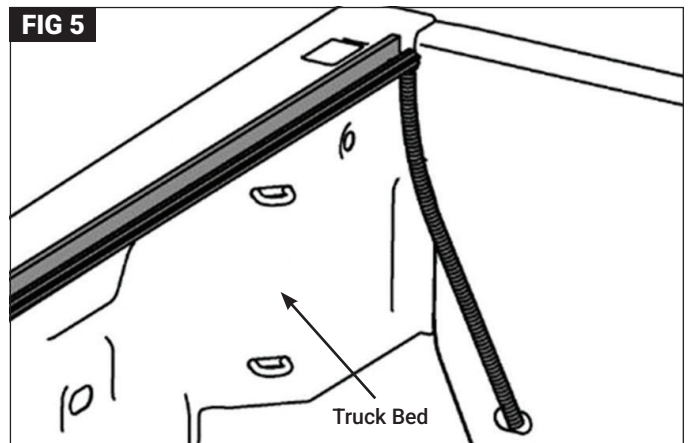
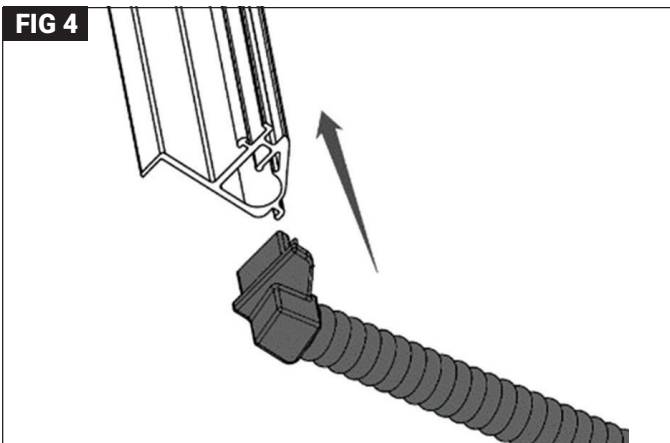
Looking at the front rail of the truck bed near the cab, determine if the truck bed side rails are higher than the front edge of the bed. If the rails are higher than the front bed rail, then use the foam seal tape on the front edge of the bed to fill gap. Measure the length of the rail and cut the foam seal tape to length. Peel the backing from the foam seal and place on the full length of the rail. (Fig 1)

## INSTALLATION



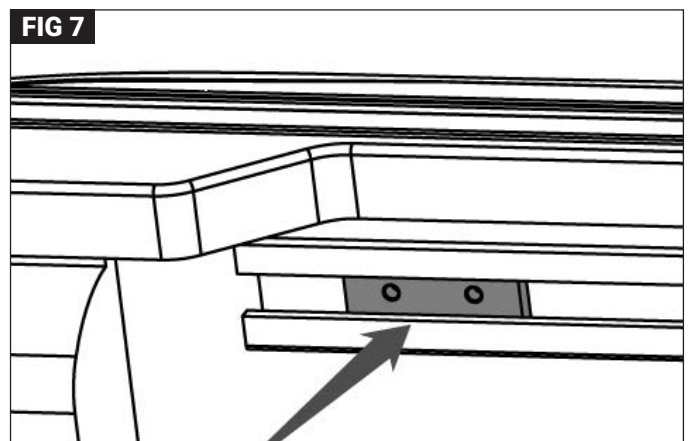
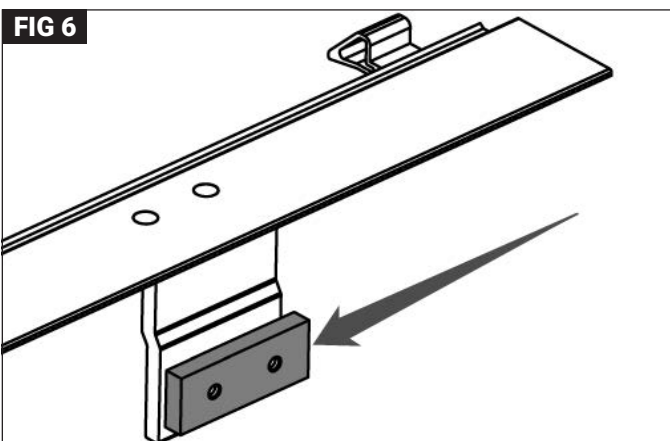
### STEP 2

Put on safety glasses. Slide the front support plate onto the side rails. The front of the side rails should be open and the rear of the rail has a cap. Make sure that the grooves fully align and move the front support plate a few inches from the front part of side rail. (Fig 2) Slide the rear side rail locking tongue onto the side rail at the rear. Do not tighten. (Fig 3)



### STEP 3

Insert the drain tubes into the front of side rails. The attached end will have a molded insert to slide into the end of the rail. (Fig 4) Route the tube hose to the drainage holes in the bed of the truck. (Fig 5)



### STEP 4

Detach the aluminum spacer from each side rail. (Fig 6) Insert the aluminum spacer into the factory bed track. (Fig 7)

## INSTALLATION (CONT.)

FIG 8

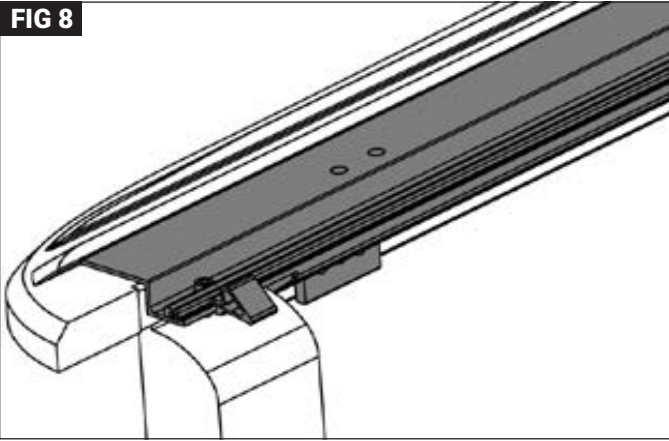
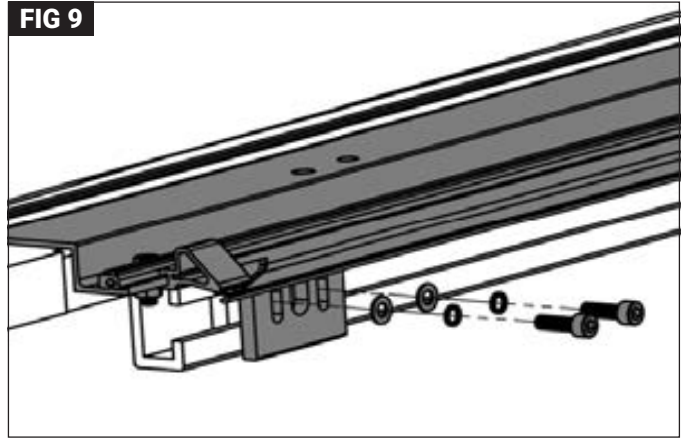


FIG 9



### STEP 5

With a partner, place the side rail on the truck bed rail. Align the rail to the front wall of truck bed. (Fig 8) Loosen or remove hardware from clamp to place clamp at the rear of the side rail. Place nut on the backside of the clamp. Insert bolt through small washer and larger flat washer and finger-tighten bolt. (Fig 9) Repeat for each rear and front clamp on both sides.

FIG 10

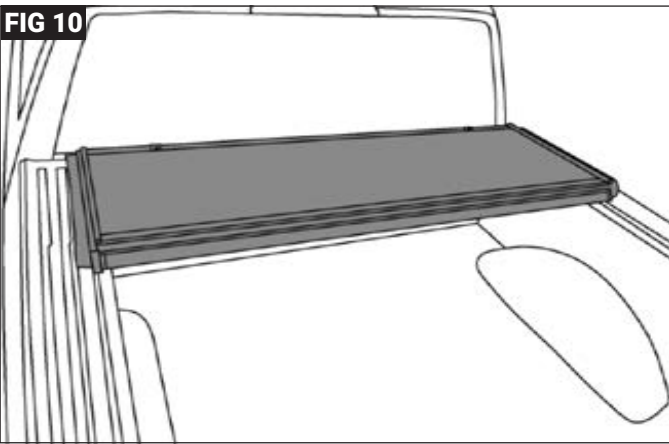
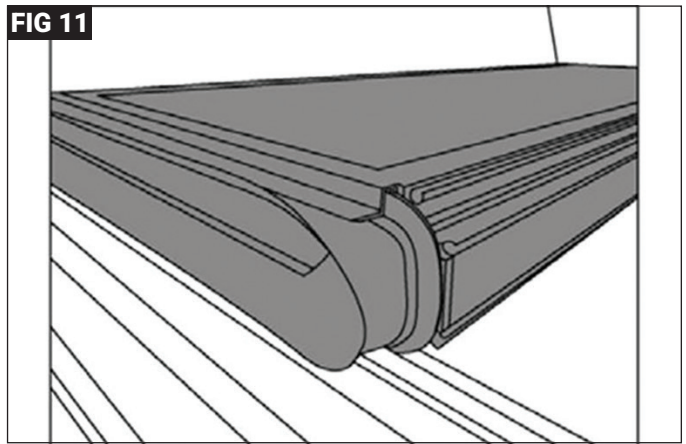


FIG 11



### STEP 6

Place the tonneau cover over on the front end of truck bed. Ensure the cover is even on all sides and sits firmly on side rails. (Fig 10) The edge of the cover will have a molded piece that will seat on the rail. Make sure that is square and not askew. (Fig 11)

FIG 12

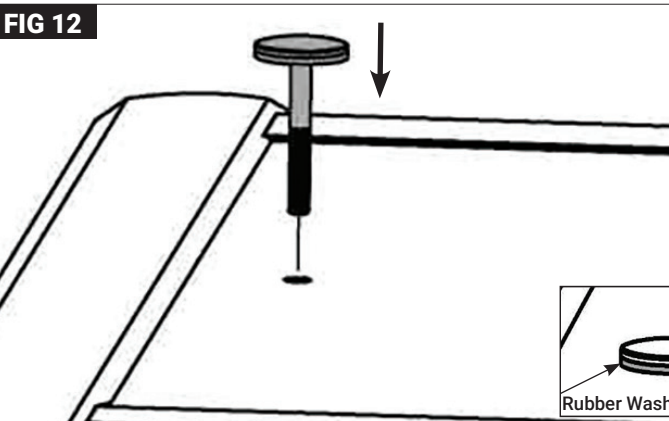
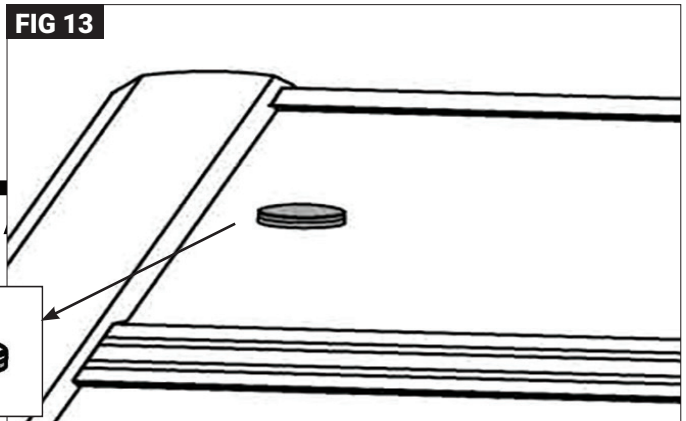


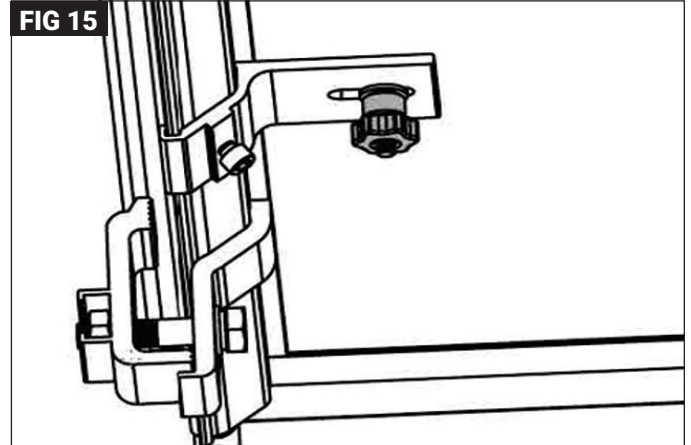
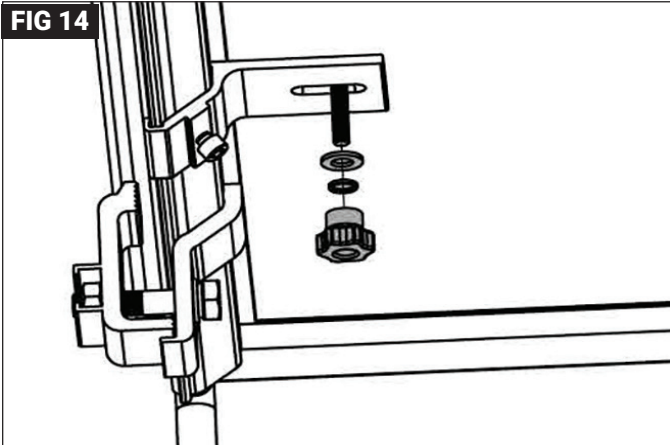
FIG 13



### STEP 7

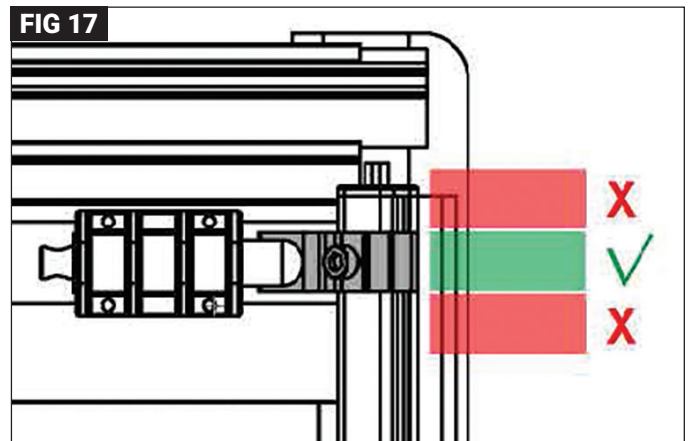
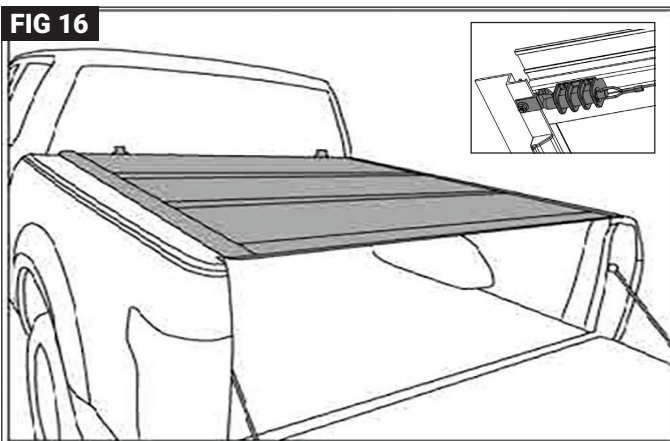
Unfold one fold of the cover to expose the very front piece of the trifold. Move the front support plate from Step 2 to correct position where the hole for the bolt aligns with the slot in the support plate. Insert the front bolt with rubber washer into the hole on the cover front panel and through the front support plate. (Fig 12 & 13)

## INSTALLATION (CONT.)



### STEP 8

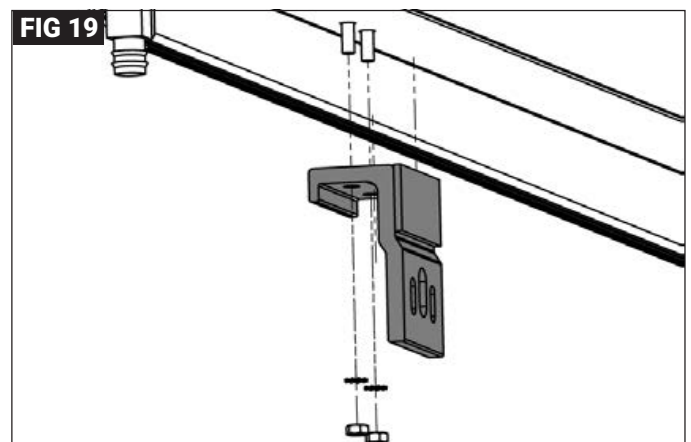
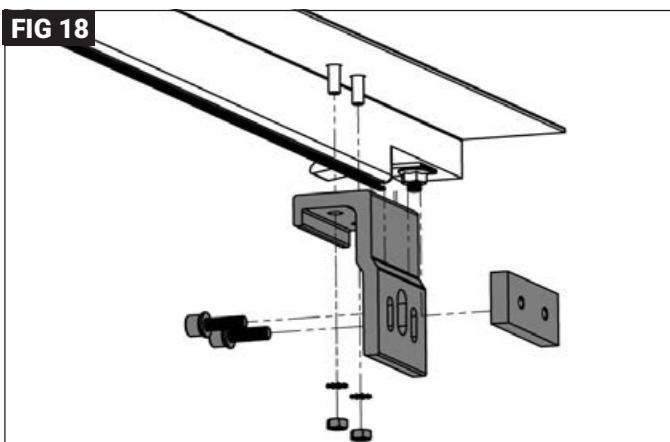
Place the flat washer and spring washer onto the front bolt from the underside of the cover. Begin to thread the plastic nut onto the bolt (Fig 14) Repeat for the other side. When both bolts are on, align the cover once again and then tighten the plastic bolt to secure cover in place. (Fig 15)



### STEP 9

Unfold the tonneau to cover the entire bed of the truck. (Fig 16) Looking underneath, check that the locking mechanism lines up with the side rail locking tongue. If not aligned, then slide the locking tongue forward or backward to align. This will ensure the ability to secure the tonneau cover in the closed position. (Fig 17)

## WITHOUT A FACTORY TRACK SYSTEM



### STEP 10

Remove the clamp assembly from the side rail. (Fig 18) Then attach the clamp assembly to the other side of the rail and tighten. (Fig 19) Repeat the step for the opposite side.

## WITHOUT A FACTORY TRACK SYSTEM (CONT.)

FIG 20

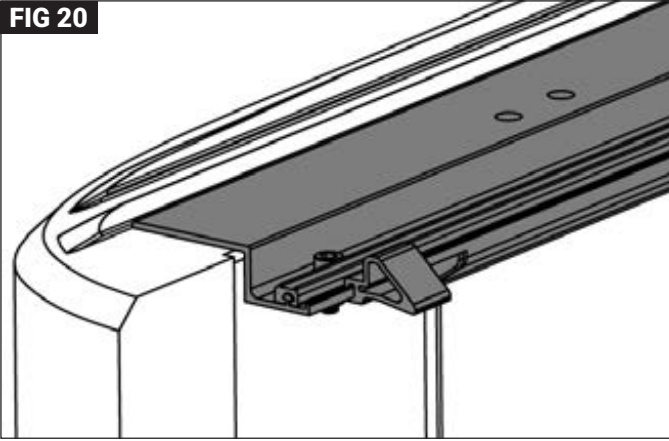
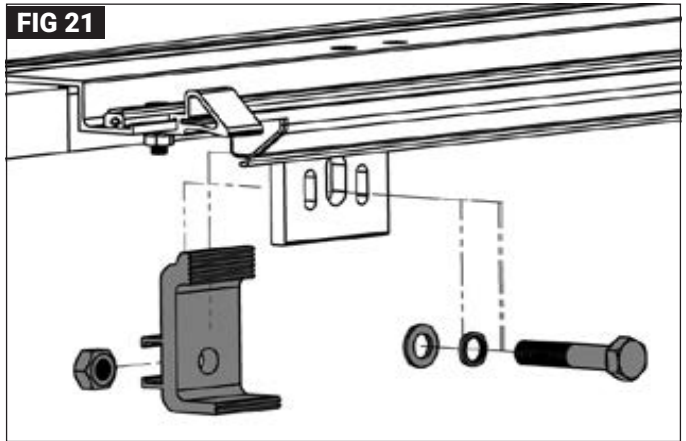


FIG 21



### STEP 11

Place a side rail on one side of the bed. Push it to the front wall of the bed. (Fig 20) Next, place one clamp towards the front of the side rail and place another towards the rear of the tailgate. (Fig 21)

FIG 22

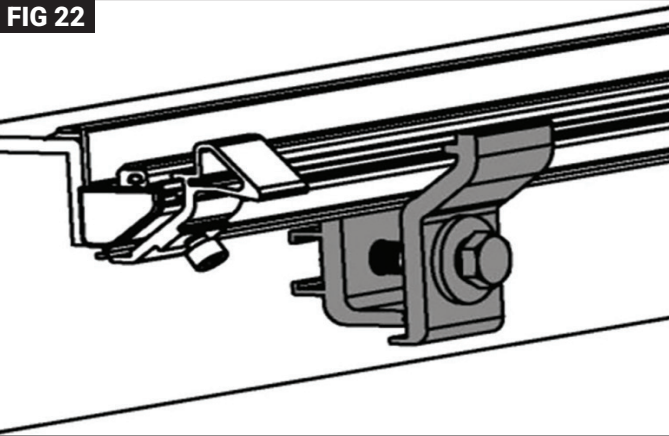
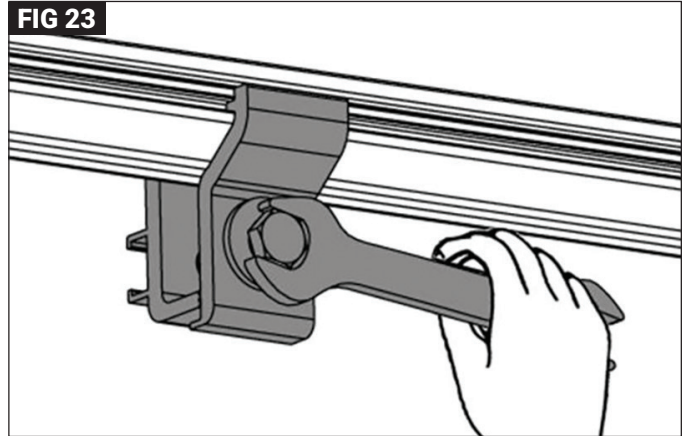


FIG 23



### STEP 12

Make sure each clamp is secured and supporting the rail. The protruding tab should fit into the groove squarely. (Fig 22) Tighten each clamp using a 17mm wrench. (Fig 23)

## SAFETY STRAP INSTRUCTIONS: All MODELS

FIG 24

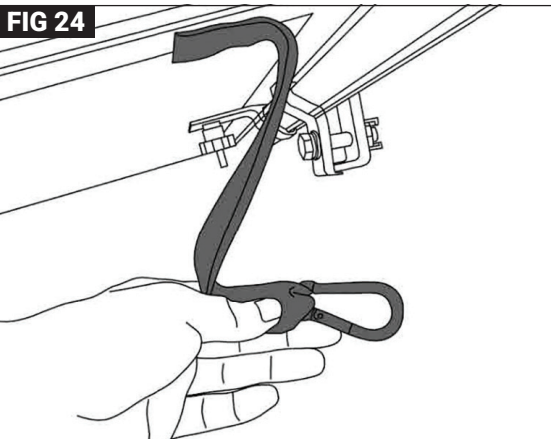


FIG 25

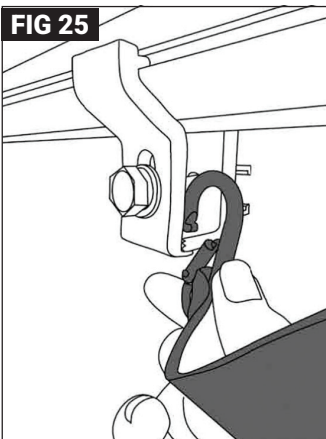
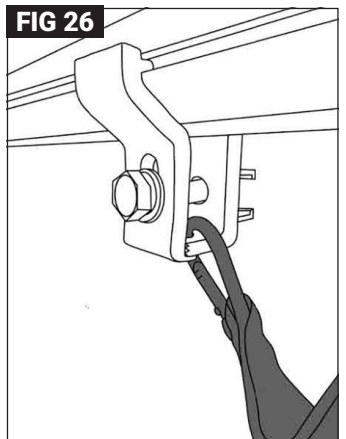


FIG 26



### STEP 13

There are safety straps on each side of the tonneau cover front panel. (Fig 24) Connect the strap to the hole in the bottom of the clamp or to the bolt on the clamp. (Fig 25 & 26)



**ALWAYS USE THE SAFETY STRAPS TO SECURE TO THE TRUCK BED. NEVER DRIVE WITHOUT THE SAFETY STRAP SECURED.**

# TACTIK® Exclusive One Year Limited Warranty

Your TACTIK® branded accessories are covered by the following Limited Warranty provided exclusively by TACTIK® located at 1028 Saunders Lane, West Chester PA 19380.

This **Limited Warranty** is the only warranty made in connection with your purchase. TACTIK® neither assumes nor authorizes any vendor, retailer or other person or entity to assume for it any other obligation or liability in connection with this product or **Limited Warranty**.

**What is Covered:** Subject to the terms, exclusions and limitations herein and with respect only to TACTIK® branded accessories first sold in the United States, TACTIK® warrants to the initial retail purchaser only that your TACTIK® accessory shall be free of defects in material and workmanship: **for a period of one (1) year from date of retail purchase.**

This **Limited Warranty** is not assignable and shall terminate upon sale of the vehicle upon which the TACTIK® accessory is installed or other transfer to third persons.

All other warranties are hereby disclaimed, except to the extent prohibited by applicable law in which case any implied warranty of merchantability or fitness for a particular purpose on this product is limited to 1 year from date of initial retail sale. TACTIK® reserves the rights to: (a.) require invoice or other proof your accessory is within the terms of this **Limited Warranty** as a condition of warranty service and, (b.) make future revisions to this product and **Limited Warranty** without prior notice or obligation to upgrade your product.

**What is Not Covered:**

Your TACTIK® **Limited Warranty** does not cover products or parts TACTIK® determines to have been damaged by or subjected to: (a.) installation damage, alteration, modification, combination with other parts, failure to maintain or improper repair or service, (b.) normal wear & tear, cosmetic damage or damage from moisture or water immersion, (c.) Acts of God, accidents, misuse, negligence, inadequate mounting or impact with vehicle(s), obstacles or other aspects of the environment, (d.) theft, vandalism or other intentional damage.

**Remedy Limited to Repair/Replacement: The exclusive remedy provided hereunder shall, upon TACTIK® inspection and at TACTIK's option, be either repair or replacement of product or parts (new or refurbished) covered under this Limited Warranty.** Customers requesting warranty consideration should first contact TACTIK® to obtain a RGA number via telephone at 800-603-4064, or initiate customer service by email at: [customerservice@tactik4x4.com](mailto:customerservice@tactik4x4.com). All labor, removal, shipping and installation costs are customer's responsibility.

**Other Limitations - Exclusion of Damages - Your Rights Under State Law:**

In consideration of the purchase price paid, neither TACTIK® nor any independent TACTIK® distributor/licensee are responsible for any time loss, rental costs, or for any incidental, consequential, punitive or other damages you may have or incur in connection with any part or product purchased. Your exclusive remedy hereunder for covered parts is repair/replacement as described above.

This **Limited Warranty** gives you specific rights. You may also have other rights that vary from state to state. For example, some states do not allow limitations of how long an implied warranty lasts and /or do not allow the exclusion or limitation of incidental or consequential damages, so the limitations and exclusions herein may not apply to you.

©TACTIK® 2022 All Rights Reserved. A4 Version 6/9/2022

**Instruction Part Number: 12999-3268**