



**BLACK HORSE
OFF ROAD®**

TEL: 1-866-XANATOS

INSTALLATION INSTRUCTIONS

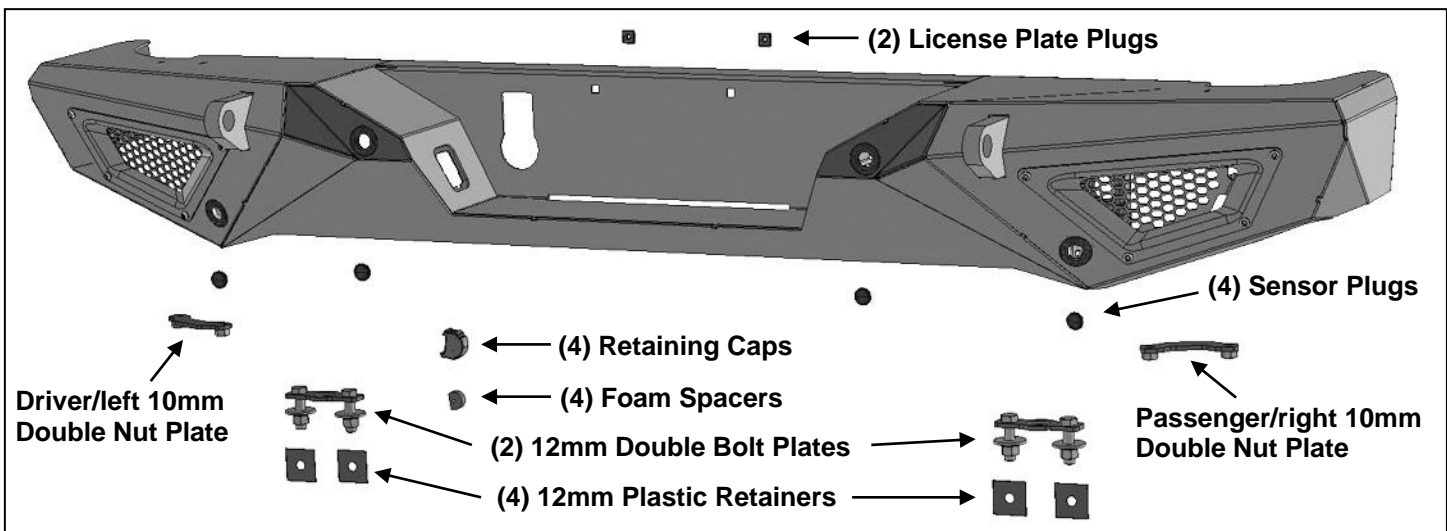
X-SERIES REAR BUMPER

2020-24 JEEP GLADIATOR

PART# ARB-JG20

PARTS LIST:

1	X-Series Rear Bumper	4	12mm Lock Washers
2	Plastic License Plate Plugs	4	12mm Hex Nuts
4	Sensor Hole Plugs	2	10mm Double Nut Plates
4	Sensor Retaining Caps	4	10-1.5mm x 30mm Hex Bolts
4	20mm x 10mm Foam Spacers	4	10mm Lock Washers
4	15.5mm x 25mm x 2mm Foam Washers (discard)	4	10mm x 30mm x 2.5mm Flat Washers
1	Sensor Cover Kit	8	4mm Self Tapping Screws
2	12mm x 45mm Double Bolt Plates	1	4mm Hex Wrench
4	12mm Plastic Retainers	10	Wire Ties
4	12mm x 37mm x 3mm Flat Washers		



PROCEDURE:

REMOVE CONTENTS FROM BOX. VERIFY ALL PARTS ARE PRESENT. READ INSTRUCTIONS CAREFULLY BEFORE STARTING INSTALLATION. BUMPER IS HEAVY, ASSISTANCE IS RECOMMENDED TO AVOID POSSIBLE INJURY OR DAMAGE TO THE VEHICLE.

1. Start installation from under the rear bumper. Unplug the trailer plug, sensors and wiring harnesses leading to the rear bumper, **(Figures 1 & 2)**.
2. Remove the (2) lower factory bolts attaching the bottom of the bumper to the receiver hitch, **(Figure 3)**.
3. Remove the factory hex nuts attaching the bumper brackets to the receiver hitch, **(Figure 4)**. **NOTE:** On models with bed guards, remove the (2) hex bolts per side attaching the bed guard brackets to the outer ends of the bumper, **(Figures 4 & 5)**.
4. Remove the rear license plate to reveal (2) factory bolts. Carefully remove the (2) bolts, **(Figure 6)**. **IMPORTANT:** Assistance is highly recommended to hold bumper in position during hardware removal.
5. Slide the bumper off the tow hooks, (if equipped), and place the bumper on a work surface, **(Figure 7)**.
6. Remove the tow hooks, (if equipped). Tow hooks cannot be reattached after Bumper is installed.
7. Remove the wiring harness, tow plug and sensors (if equipped) from the factory bumper.
8. Determine if vehicle is equipped with parking sensors.

Models without bumper sensors:

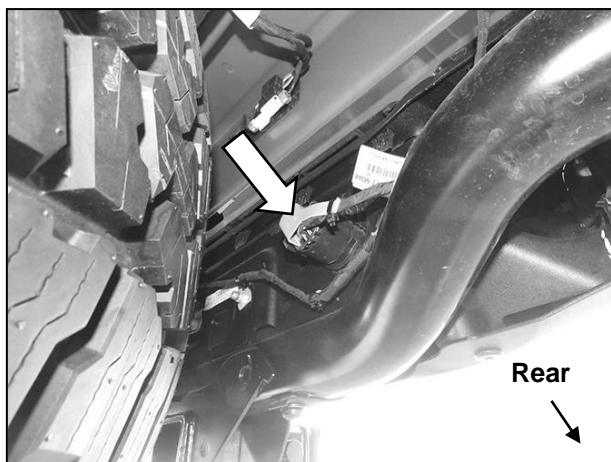
- a. From the front of the bumper, push the included Plastic Plugs into sensor mounts, **(Figure 8)**.

Models with bumper mounted sensors:

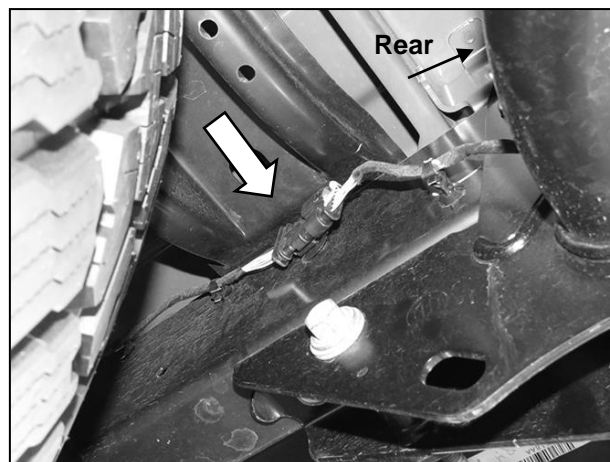
- a. Test fit sensor into sensor mount on Bumper. Trim off the plastic tabs on the sensor if necessary to fit snug inside of the sensor mount.
- b. Push the sensor in from the back of the Bumper until it is flush with the sensor mount and Bumper face. Push (1) Foam Spacer and snap (1) Retaining Cap onto sensor and mount to secure the sensor in place, **(Figure 9)**.
- c. Repeat previous **Steps** for all remaining sensors.

9. **Determine if Lights will be attached, (lights not included)**
 - a. Remove mesh panel from the light mounting location, **(Figure 10)**.
 - b. Select (1) light. Attach light to the driver/left location on the back of the bumper, **(Figure 10)**.
 - c. Follow manufacturer's instructions to properly wire the light to the vehicle electrical system.
 - d. Repeat previous **Steps** to attach (1) light to the passenger/right side.
10. Attach bumper wiring harness to Bumper. Plug harness into sensors if quipped. Install the license plate lights and plug bumper harness into lights, **(Figure 11)**. Insert the towing harness plug (if equipped).
11. Select (1) 12mm Double Bolt Plate. Insert the Bolt Plate into the driver/left side of the Bumper. Thread (2) 12mm Plastic Retainers onto the Bolt Plate to hold it in place, **(Figure 12)**. Repeat this **Step** to insert (1) 12mm Bolt Plate into the passenger/right side of the Bumper.
12. With assistance, hold the Bumper up to the end of the frame, **(Figure 13)**. Temporarily support the weight of the Bumper. **WARNING:** To avoid possible injury or damage to the vehicle, do not proceed until the bumper is fully and safely supported.
13. **Determine if vehicle is equipped with rear bed guards. NOTE: Bumper may not be compatible with all brands of bed guards. Removal of bed guards may be required.**
 - a. Move to the driver/left side of the vehicle. Remove the lower factory bolt attaching the bed guard to the side of the receiver hitch, **(Figure 14)**.
 - b. Remove the (2) upper bolts attaching the bed guard to the side of the frame, **(Figure 14)**.
 - c. Repeat previous **Steps** to remove the passenger/right bed guard.
14. Attach the Bumper to the end of the frame with (4) 12mm x 27mm Large Flat Washers, (4) 12mm Lock Washers and (4) 12mm Hex Nuts, **(Figure 15)**. Do not tighten hardware.
15. **Determine if bed guards will be installed (X-Series Bed Guards recommended, sold separately)**
 - a. Attach the driver/left bed guard to the side of the frame and receiver hitch.
 - b. Attach the support on the bed guard to the back of the Bumper with (1) 10mm Double Nut Plate, (2) 10mm Flat Washers, (2) 10mm Lock Washers and (2) 10mm Hex Nuts, **(Figures 16 & 17)**. Do not tighten hardware.
 - c. Repeat previous **Steps** to attach the passenger/right bed guard.
16. Slowly open tailgate and check for clearance. Level and adjust the Bumper and tighten all hardware.
17. Insert (2) License Plate Plugs into the Bumper, **(Figure 18)**. Attach the license plate to the Plugs.
18. Plug wiring harnesses into vehicle.
19. Do periodic inspections to the installation to make sure that all hardware is secure and tight.

To protect your investment, Do not use any type of polish or wax that may contain abrasives that could damage the finish. Mild soap may be used to clean the Bumper assembly.

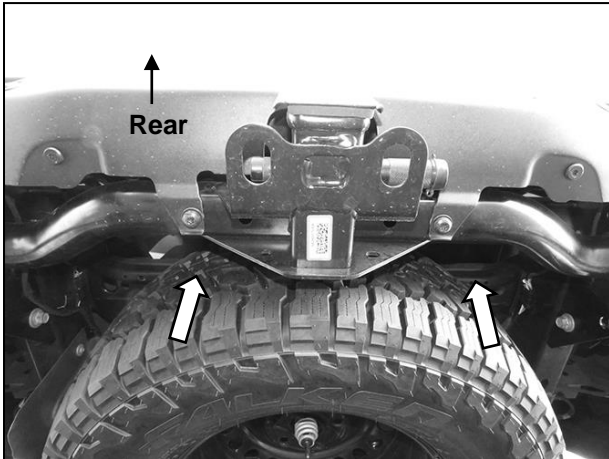


(Fig 1) Unplug the trailer plug (arrow)

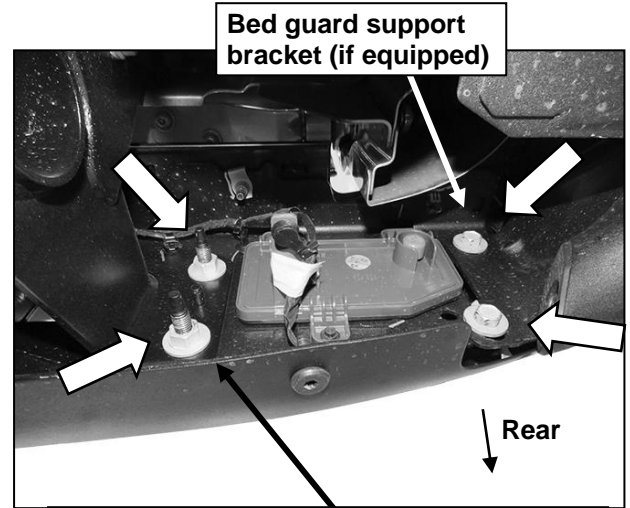


(Fig 2) Unplug the wiring harnesses on both sides of the frame leading to the bumper

Driver/Left Side Installation Pictured



(Fig 3) Remove the (2) bolts (arrows) attaching bumper to receiver hitch



(Fig 4) Remove the factory nuts to release the bumper from the end of the frame



(Fig 5) Models with bed guard, Bumper may not be compatible with all bed guards



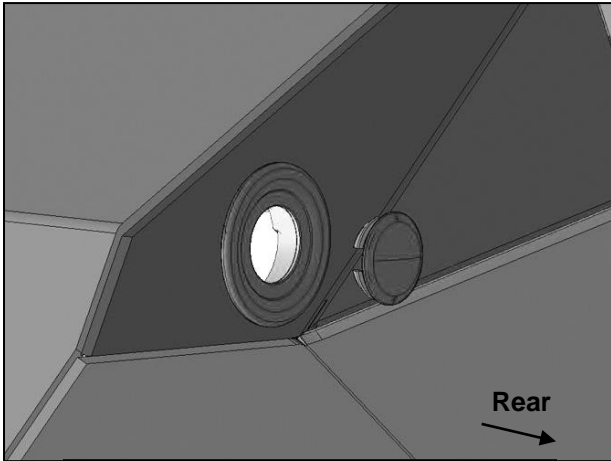
(Fig 6) Remove the (2) bolts under the license plate and remove bumper



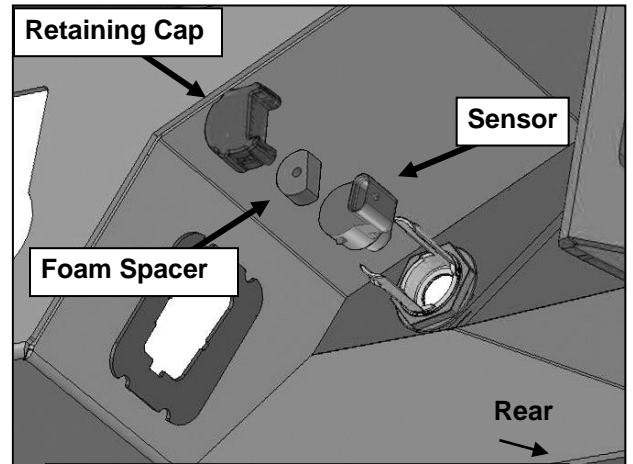
(Fig 7) Factory bumper removed

WARNING! Do not remove bumper bolts unless the bumper is properly supported on blocks or stands or it may fall.

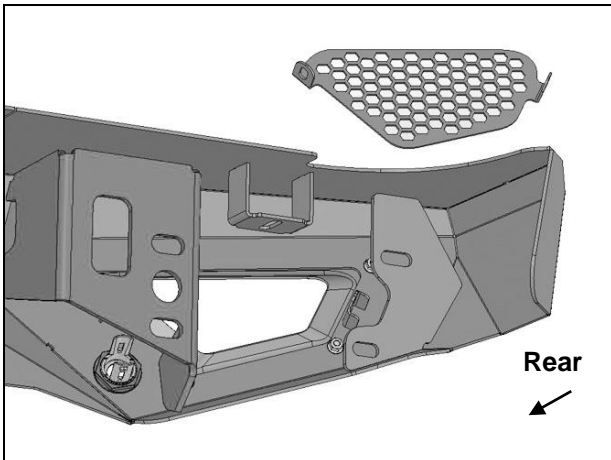
Driver/Left Side Installation Pictured



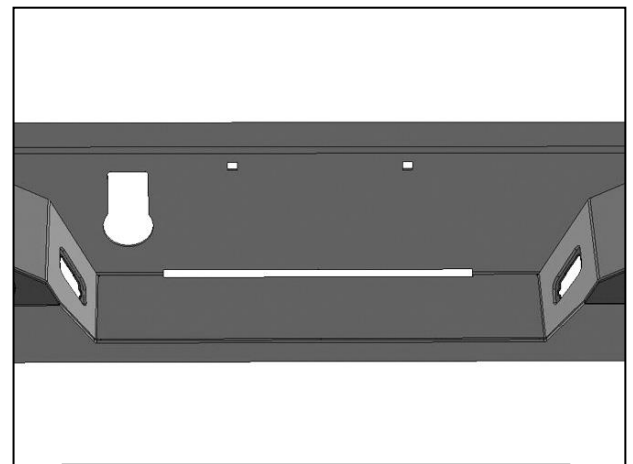
(Fig 8) Push Sensor Plug into mount



(Fig 9) Push Sensor into sensor mount

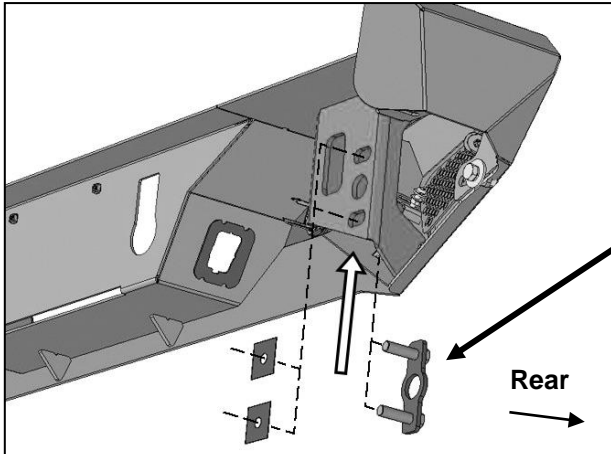


(Fig 10) Remove mesh panel to install light (installation optional)



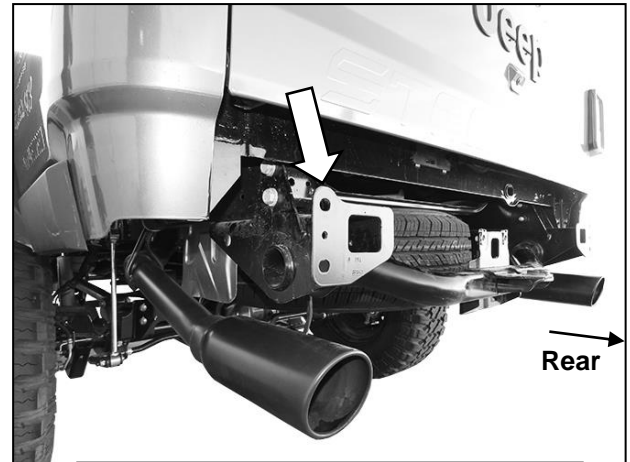
(Fig 11) Push license plate lights and towing plug into openings in Bumper

Driver/Left Side Installation Pictured

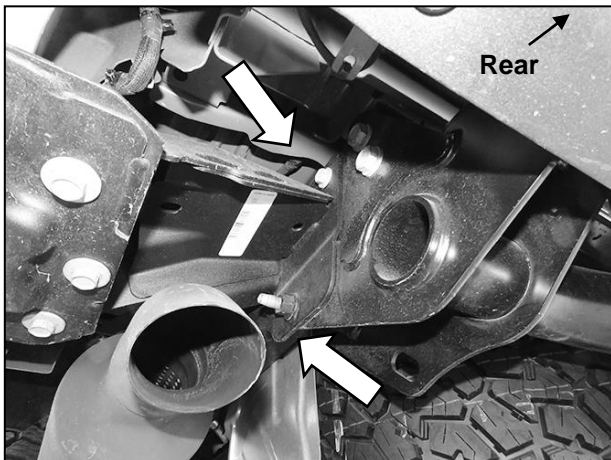


12mm Double Bolt Plate
(2) 12mm Plastic Retainers

(Fig 12) Insert (1) 12mm Double Bolt Plate into the back of the Bumper. Thread (2) Plastic Retainers onto the bolt plate to hold in place



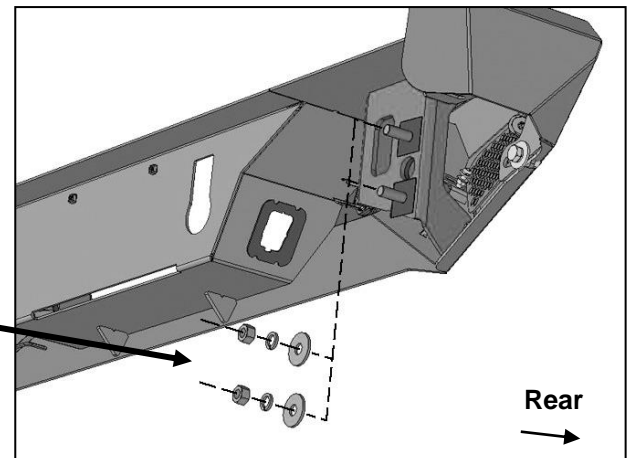
(Fig 13) Driver/Left mounting location



(Fig 14) Models with bed guards, check fit between Bumper and bed guard. If necessary, remove the (2) upper bolts and lower bolt attaching the bed guard to the receiver hitch (arrows) and remove bed guards

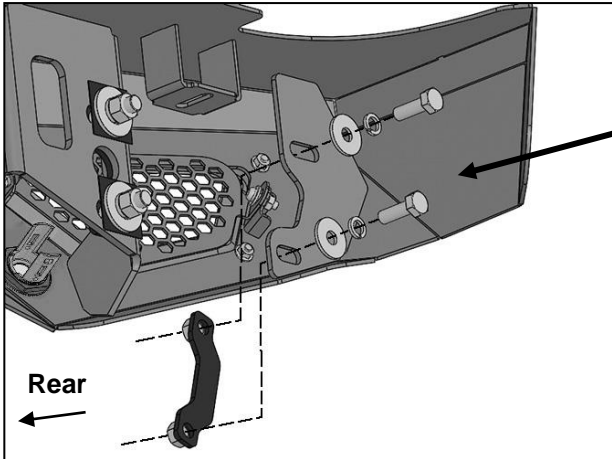
(2) 12mm x 27mm Flat Washers
(2) 12mm Lock Washers
(2) 12mm Hex Nuts

WARNING! Do not crawl under bumper unless it is properly supported on blocks or stands or the bumper may fall.



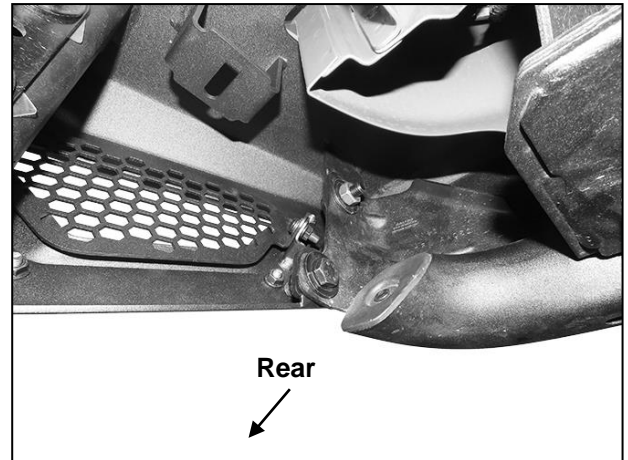
(Fig 15) Attach the Bumper to the frame

Driver/Left Side Installation Pictured

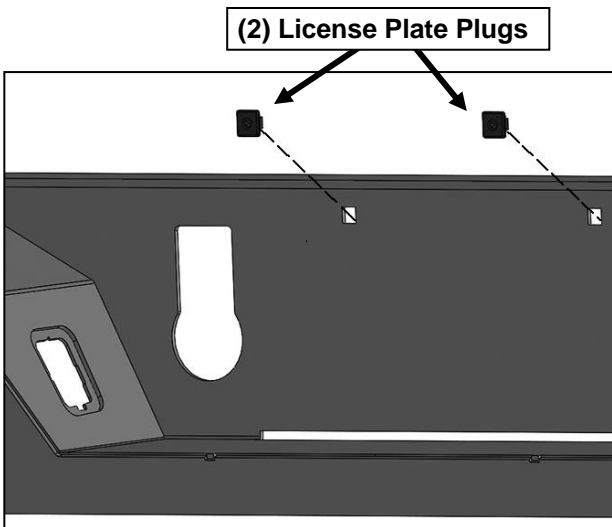


- (2) 10mm Hex Bolts
- (2) 10mm Lock Washers
- (2) 10mm x 30mm Flat Washers
- 10mm Double Nut Plate

(Fig 16) Models with bed guards, attach the Bumper to the driver/left bed guard support (also see Fig 4)



(Fig 17) Driver/left bed guard attached to the Bumper



(Fig 18) Insert the License Plate Plugs into the Bumper



Complete Installation