



Installation Instructions Trektop NX Glide 2-Door

Vehicle Application:
Jeep® Wrangler 2007-2017
Part Number 54922

Installation Tips

Before you begin installing your new Trektop NX Glide, please read all the instructions thoroughly.

For easier installation, the top should be installed at a temperature above 72°F. Below this temperature, the fabric may contract an inch or more, making it difficult to fit the vehicle.

It is normal for the fabric to contract and wrinkle when stored in the shipping carton. Within a few days after installation, the fabric will relax and the wrinkles will disappear.

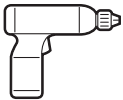


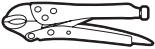




! WARNING Do not rely in any way on the components of this product to protect against injury or death in the event of an accident. Never operate the vehicle in excess of manufacturer's specifications.

Read and follow, precisely, all installation instructions provided when installing this product. Failure to do so may result in a poor fit and could place occupants of the vehicle in a potentially dangerous situation.

WEAR SEAT BELTS AT ALL TIMES

! CAUTION Safety glasses should be worn at all times when installing this product.



Tools				Installation Time	Support
				 4 hours	<p>We're here to help! Go to: https://www.bestop.com and click on Need Help?</p>  <p>https://www.bestop.com/video-library</p>
				<p>Skill Level</p> <p>① ② ③ ④</p> <p>3 - Moderately Difficult</p>	



Installation Instructions Trektop NX Glide 2-Door

Vehicle Application:
Jeep® Wrangler 2007-2017
Part Number 54922

Sugerencias de Instalación

Antes de empezar a instalar esta unidad, lea atentamente todas las instrucciones.

Para un buen ajuste:

Para facilitar la instalación, el producto debe instalarse a temperaturas superiores a 72 °F (22 °C).

Por debajo de esta temperatura, la tela puede encogerse una pulgada o más, lo que dificultaría su ajuste al vehículo.

Es normal que la tela se contraiga o arrugue cuando está guardada en la caja de empaque. A los pocos días después de la instalación, la tela se relajará y las arrugas desaparecerán.



ADVERTENCIA

Este producto se diseñó principalmente para mejorar la apariencia del vehículo y proteger a los ocupantes de las condiciones climáticas comunes. De ninguna manera piense que los componentes de este producto pueden servir como medio de contención para los ocupantes del vehículo o que pueden protegerlos contra lesiones o la muerte en caso de accidente. Este producto no protegerá a los ocupantes contra caídas de objetos. Nunca conduzca este vehículo fuera de las especificaciones del fabricante.

USE LOS CINTURONES DE SEGURIDAD EN TODO MOMENTO

Lea y siga con precisión todas las instrucciones de instalación que se proporcionan para instalar este producto. Si no lo hace, podría producirse un mal ajuste que colocaría a los ocupantes del vehículo en una situación potencialmente peligrosa.



PRECAUCIÓN

Debe usar gafas protectoras en todo momento durante la instalación de este producto.

Conseils pour l'installation

Lire toutes les instructions au complet avant de commencer l'installation de cet assemblage.

Pour un ajustement sans problème :

Afin de faciliter l'installation, ce produit doit être installé à des températures au-dessus de 72 °F (22 °C).

Sous cette température, le tissu peut rétrécir d'un pouce (2,5 cm) ou plus, ce qui rendra l'ajustement sur le véhicule difficile.

Il est normal que le tissu rétrécisse et plisse pendant qu'il est dans la boîte d'expédition. En quelques jours après l'installation, le tissu se détendra et les plis disparaîtront.



AVERTISSEMENT

Ce produit est conçu principalement pour améliorer l'apparence du véhicule et pour protéger les occupants des conditions météorologiques usuelles. Ne jamais se fier aux composants de ce produit pour se protéger de blessures ou de la mort en cas d'accident. Ce produit ne protégera pas les occupants des chutes d'objets. Ne jamais utiliser le véhicule au-delà des caractéristiques techniques indiquées par le fabricant.

PORTER UNE CEINTURE DE SÉCURITÉ EN TOUT TEMPS

Lire et suivre, très fidèlement, toutes les instructions d'installation fournies lors de l'installation de ce produit. Ne pas suivre cette consigne peut causer une installation inadéquate et mettre les occupants du véhicule dans une situation potentiellement dangereuse.



MISE EN GARDE


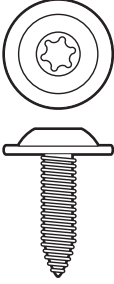

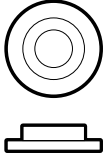

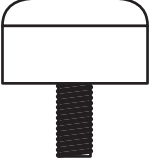



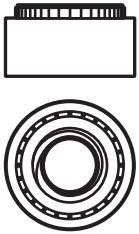

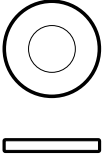

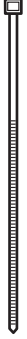
Des lunettes de sécurité doivent être portées en tout temps lors de l'installation de ce produit.



Installation Instructions Trektop NX Glide 2-Door

Vehicle Application:
Jeep® Wrangler 2007-2017
Part Number 54922

Parts List

All Sections	Hardware and Fasteners					Multiple Pages
 <p>M5 x 30mm Screw Part #308.87 Qty. 4</p>	 <p>Bow Mount Screw Part #308.64 Qty. 4</p>	 <p>Pan Head Washer Screw Part #393.79 Qty. 20</p>	 <p>Plastic Bushing Part #473.40 Qty. 4</p>	 <p>M5 Nylon Lock Nut Part #308.62 Qty. 2</p>	 <p>#8-32 Threaded Stud Bumper Part #538.96 Qty. 2</p>	 <p>Rubber Tube Part #544.58 Qty. 2</p>
 <p>Button Head Socket Cap Screw Part #538.99 Qty. 2</p>	 <p>1/4" Flat Washer Part #538.71 Qty. 4</p>	 <p>Press-In Nut Part #538.97 Qty. 2</p>	 <p>M3 Machine Screw Part #545.15 Qty. 4</p>	 <p>M3 Flat Washer Part #545.13 Qty. 4</p>	 <p>M3 Nylon Lock Nut Part #545.14 Qty. 4</p>	 <p>Zip Tie Part #584.46 Qty. 4</p>

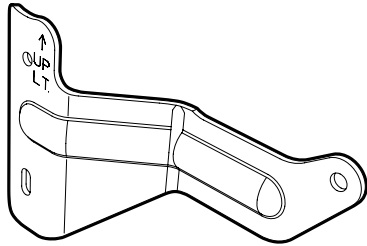
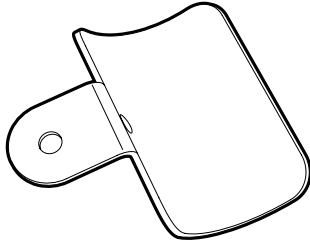
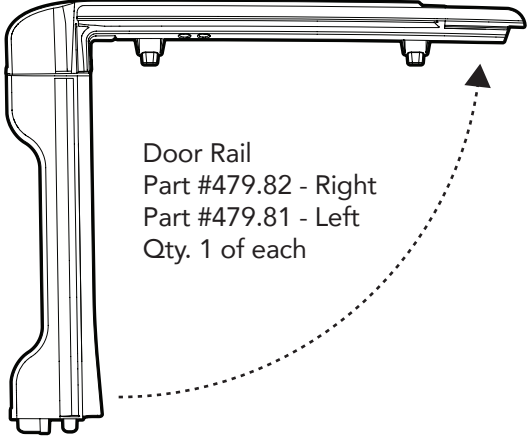
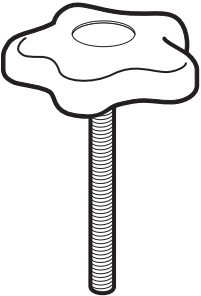

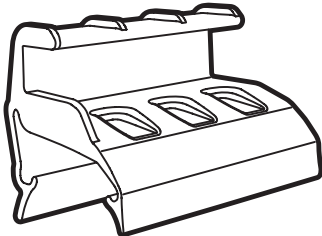
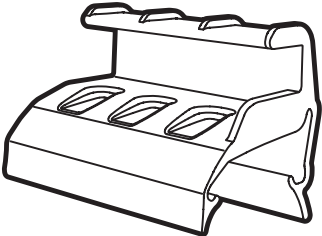


Installation Instructions Trektop NX Glide 2-Door

Vehicle Application:
Jeep® Wrangler 2007-2017
Part Number 54922

Parts List

- Required parts for installation

Sections 1 and 2		Bow-Mount Brackets, Pin Point Brackets & Door Rails		Pages 6-8 of Guide
 <p>Bow Mount Bracket Part #529.83 - Left Part #529.84 - Right Qty. 1 of each</p>	 <p>Pin-Point Bracket Part #539.20 Qty. 2</p>	 <p>Door Rail Part #479.82 - Right Part #479.81 - Left Qty. 1 of each</p>		
Sections 2 through 4		Knobs, Top Arch & Tailgate Bar Mount Brackets		Pages 8-10 of Guide
 <p>M8 x 75mm Knob Part #478.90 Qty. 4</p>	 <p>Top Arch Part #483.24 Qty. 1</p>	 <p>Tailgate Bar Mount - Left Part #539.57 Qty. 1</p>	 <p>Tailgate Bar Mount - Right Part #539.56 Qty. 1</p>	

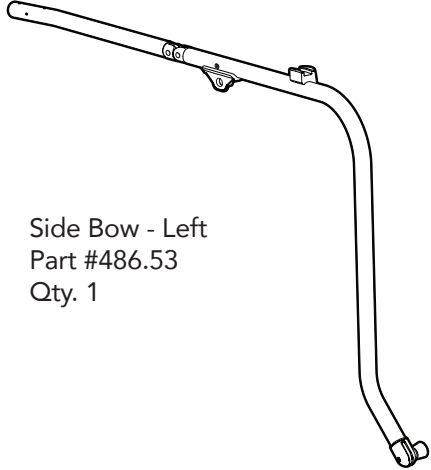
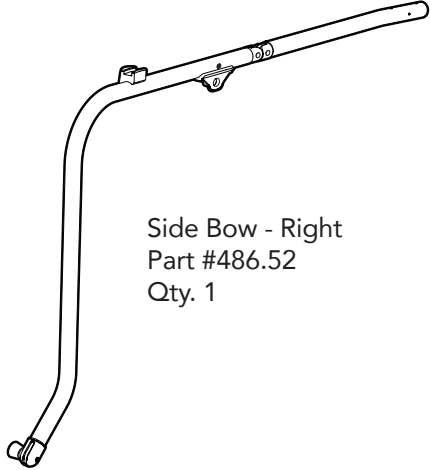
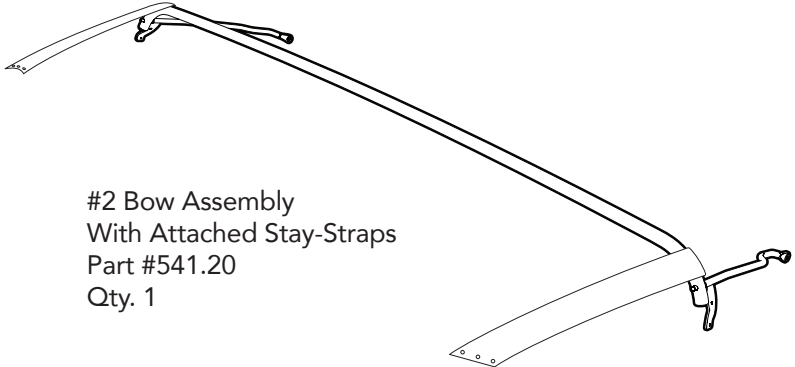
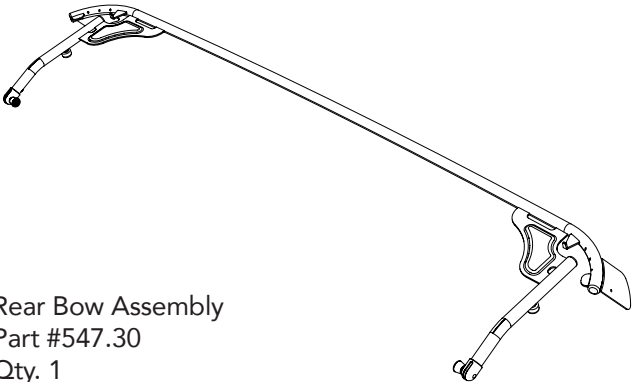
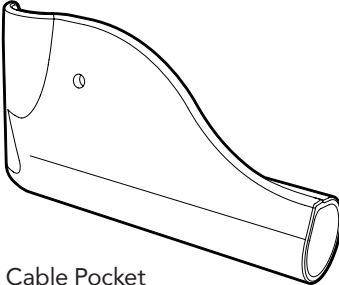
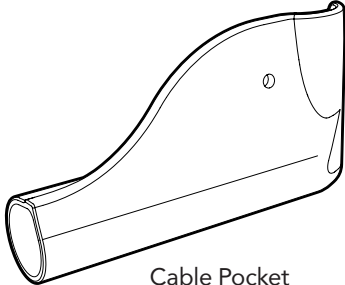


Installation Instructions Trektop NX Glide 2-Door

Vehicle Application:
Jeep® Wrangler 2007-2017
Part Number 54922

Parts List

- Required parts for installation

Sections 5 through 9	Side Bows & #2 Bow Assembly	Pages 11 through 16 of Guide
 <p>Side Bow - Left Part #486.53 Qty. 1</p>	 <p>Side Bow - Right Part #486.52 Qty. 1</p>	 <p>#2 Bow Assembly With Attached Stay-Straps Part #541.20 Qty. 1</p>
Sections 10 through 14	Rear Bow Assembly and Cable Pockets	Pages 17 through 21 of Guide
 <p>Rear Bow Assembly Part #547.30 Qty. 1</p>	 <p>Cable Pocket Qty. 1 Part # 544.22 - Right</p>	 <p>Cable Pocket Qty. 1 Part # 544.23 - Left</p>



Installation Instructions Trektop NX Glide 2-Door

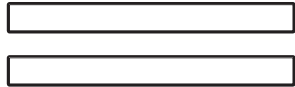
Vehicle Application:
Jeep® Wrangler 2007-2017
Part Number 54922

Parts List

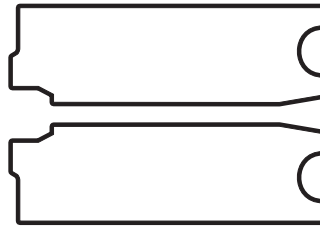
- Required parts for installation

Section 15 Foam Tape Strips and Foam Seals

Page 22 of Guide



Foam Tape Strips
Part #417.43
Qty. 2

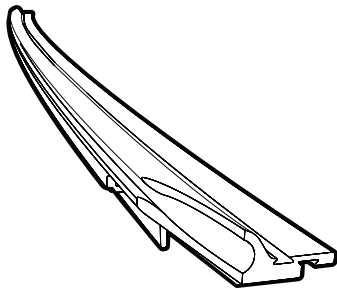


Foam Seals
Part #457.76 - Right
Part #457.77 - Left
Qty. 1 per side

Sections 16 through 21

Tailgate Bar, Fabric & Windows

Pages 23 through 29 of Guide



Tailgate Bar
Part #538.76
Qty. 1

Deck, Header Assembly & Fabric Top

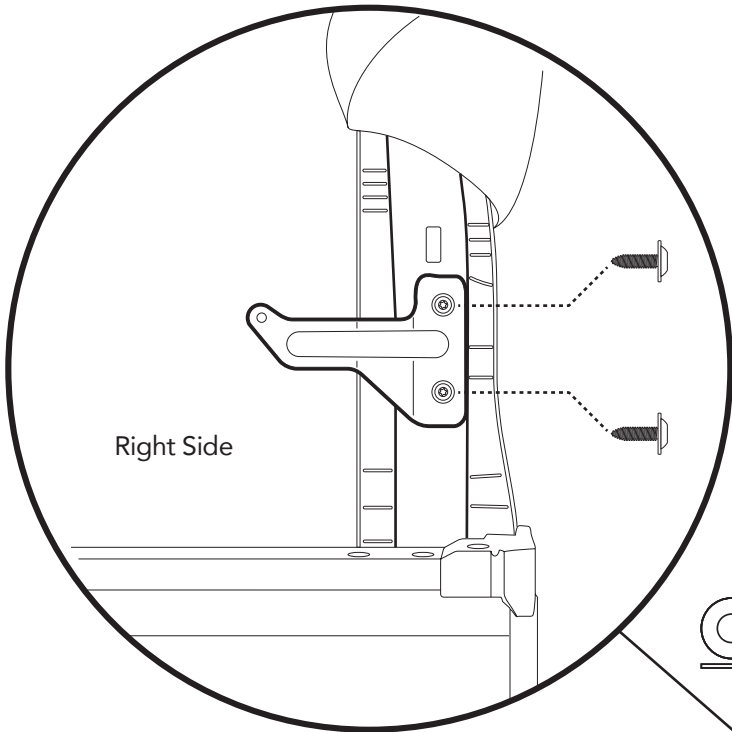
Driver Side Window

Passenger Side Window

Rear Window



Step 1	529.83	529.84	308.64
---------------	--------	--------	--------



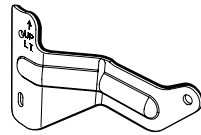

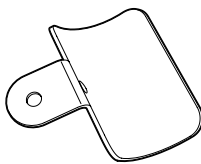





Step 1

Unzip the protective covers on the front sport bar down-tubes and locate the two threaded holes on the side of each sport bar down-tube.

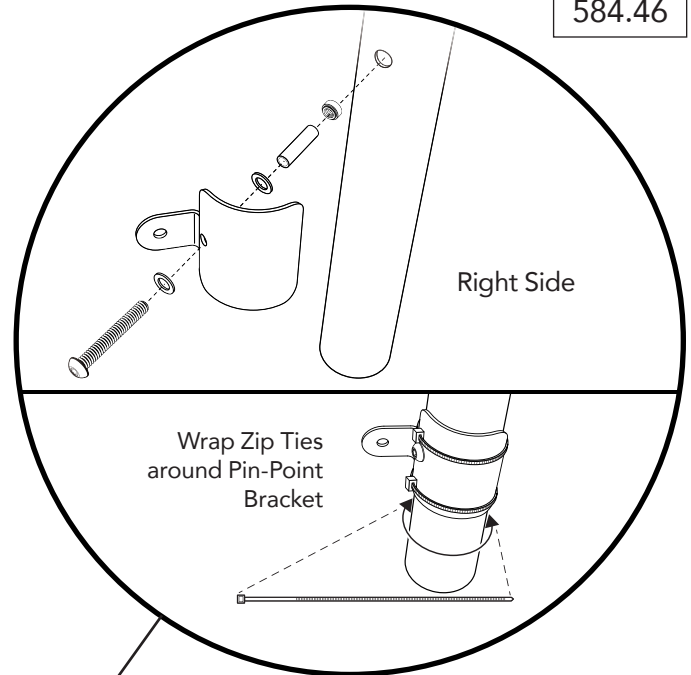
Screw the Right Bow-Mount Bracket #529.84 to the right-side sport bar down-tube using two (2) Bow-Mount Screws #308.64.

Screw the Left Bow-Mount Bracket #529.83 to the left-side sport bar down-tube using two (2) Bow-Mount Screws #308.64.

Hardware

-  Bow Mount Bracket
Qty. 1 per side
Part # 529.83 - Left
Part # 529.84 - Right
-  Bow Mount Screw
Qty. 2 per side
Part # 308.64
-  Pin-Point Bracket
Part #539.20
Qty. 2
-  Press-In Nut
Part #538.97
Qty. 2
-  Rubber Tube
Part #544.58
Qty. 2
-  1/4" Flat Washer
Part #538.71
Qty. 4
-  Button Head Socket Cap Screw
Part #538.99
Qty. 2
-  Zip Tie
Part #584.46
Qty. 4

Step 2	539.20	538.97	544.58	538.71
---------------	--------	--------	--------	--------



Step 2

Locate the Pin Point Bracket #539.20 over the existing hole in the rear downtube of the sport bar. Make sure the Pin Point Bracket wraps around the outside of the sport bar.

Fasten the Pin Point Bracket to the sport bar using one (1) Button Head Socket Screw #538.99, two (2) 1/4" Flat Washers #538.71, one (1) Rubber Tube #544.58, and one (1) Press-In Nut #538.97 per side.

Make sure that the Press-In Nut has the ridged side facing the Rubber Tube.

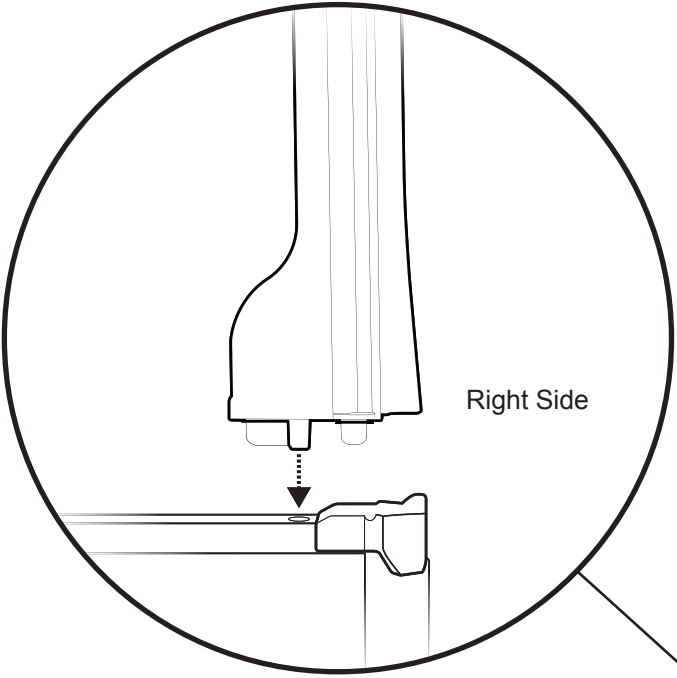
Tighten the Button Head Socket Screw to firmly seat the Pin Point Bracket to the sport bar, wrap two Zip Ties #584.46 around the top and bottom of the Pin-Point Bracket and sport bar, trim excess off, and replace the sport bar cover.



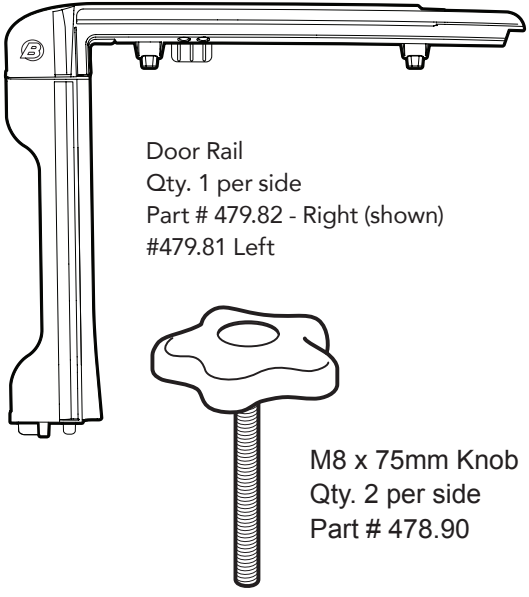
Step 1 479.81 479.82

Hardware

Step 2 478.90

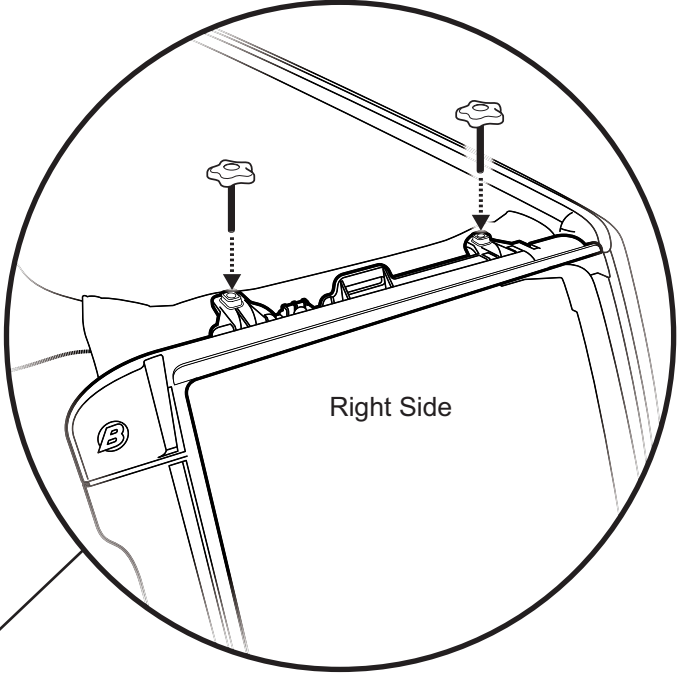


Right Side



Door Rail
Qty. 1 per side
Part # 479.82 - Right (shown)
#479.81 Left

M8 x 75mm Knob
Qty. 2 per side
Part # 478.90



Right Side

Step 1

Locate the Right Door Rail. Attach the Right Door Rail assembly to the Jeep belt rail behind the right side door, inserting the alignment pin on the bottom of the Door Rail assembly into the hole in the top of the belt rail.

Repeat for left side.

Step 2

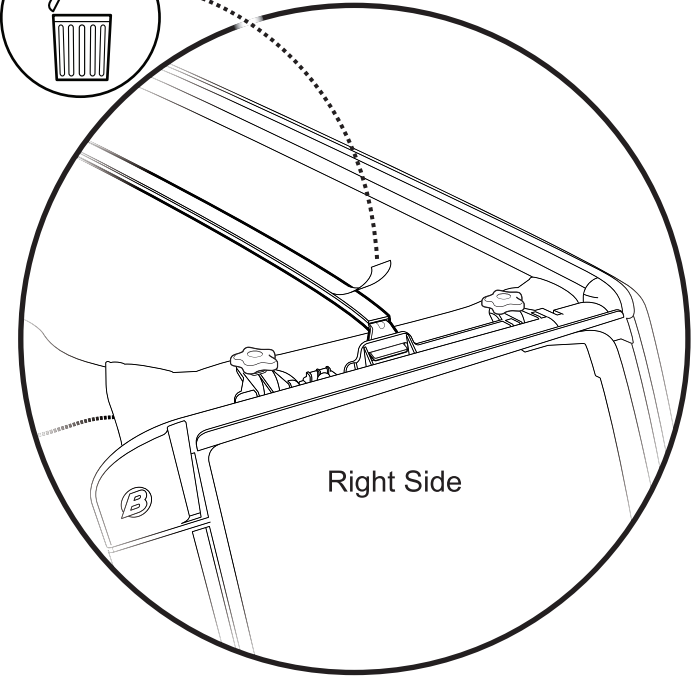
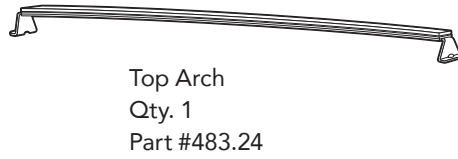
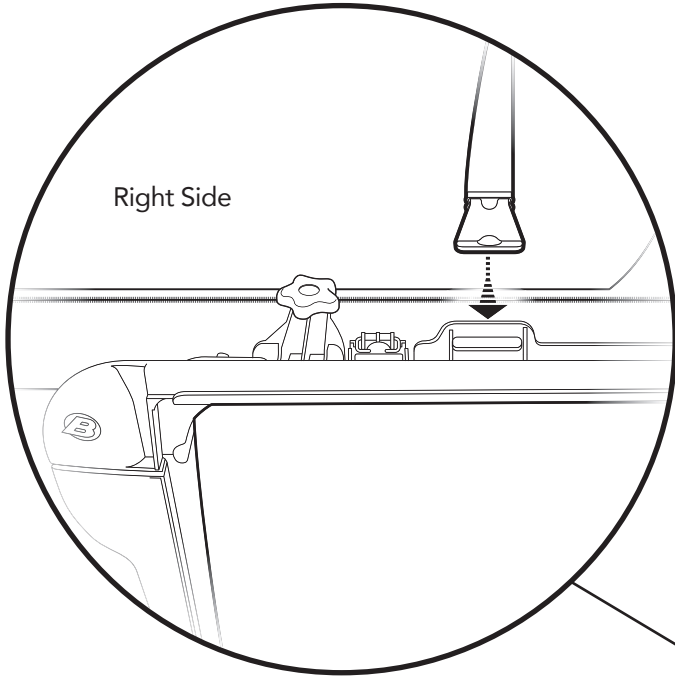
Secure Left and Right Rear Door Rails to the Jeep Sport Bar using (2) M8x75mm Knobs per side. The knobs go through the tabs on each Door Rail, and screw into the threaded holes.



Step 1 486.55

Hardware

Step 2



Step 1

Insert the Top Arch #483.24 into the slotted tab on the Door Rail. Insert one end of the arch, and flex the arch to insert the other end into the tabbed slot on the opposite side of the Jeep.

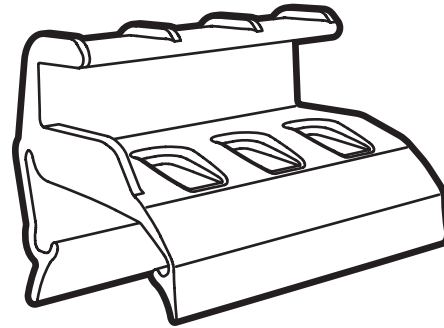
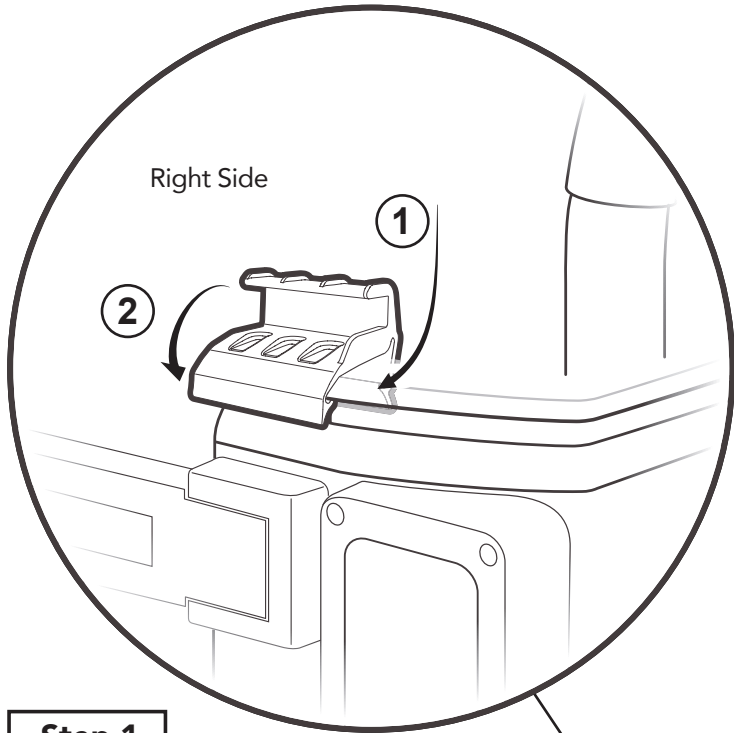
Step 2

Remove and discard the protective peel-off strip on the top surface of the Top Arch.

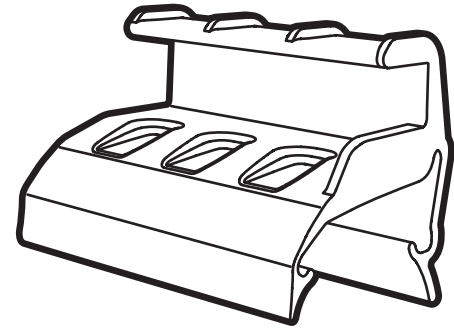


Step 1 539.56 539.57

Hardware



Clip Tailgate Assy - Left
Qty. 1
Part # 539.57



Clip Tailgate Assy - Right
Qty. 1
Part # 539.56

Step 1

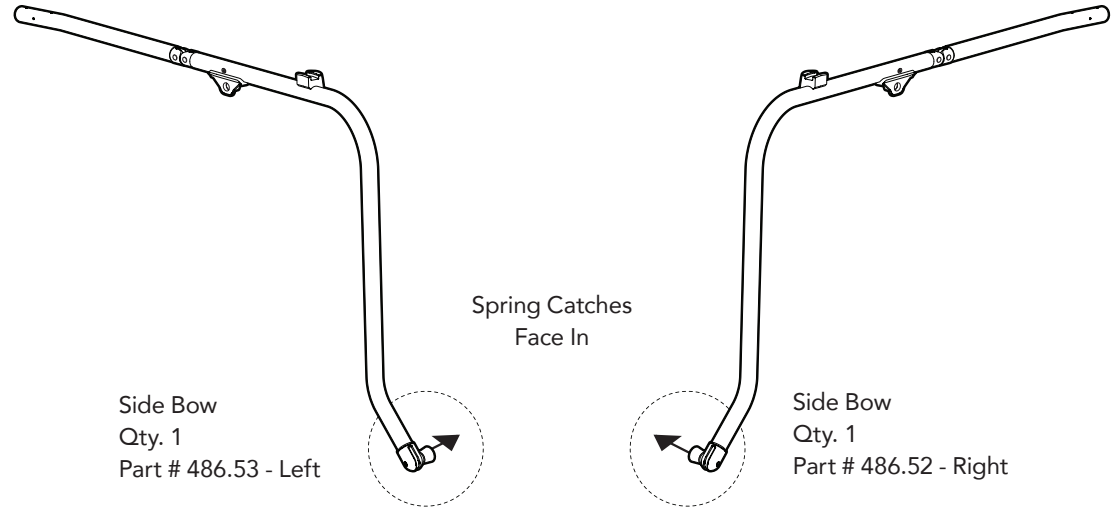
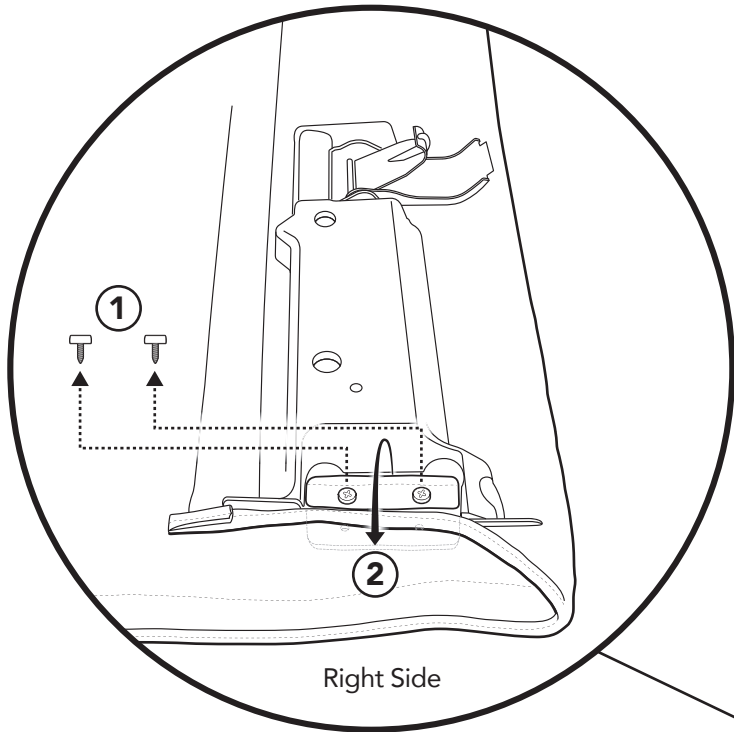
Locate the left and right Tailgate Bar Mounts. Each mount snaps onto the Jeep belt rail just outboard of the tailgate opening.

Snap each mount into place by hooking the inner catch portion of the mount under the belt rail on the inside, and then rolling the mount downward until it snaps into place under the bottom edge of the outside belt rail.



Step 1 Header/Fabric Assembly

Hardware



Step 1

Lay the Header/Fabric Assembly out with inside of fabric facing up. You may want to use the shipping box to keep the fabric off the ground.

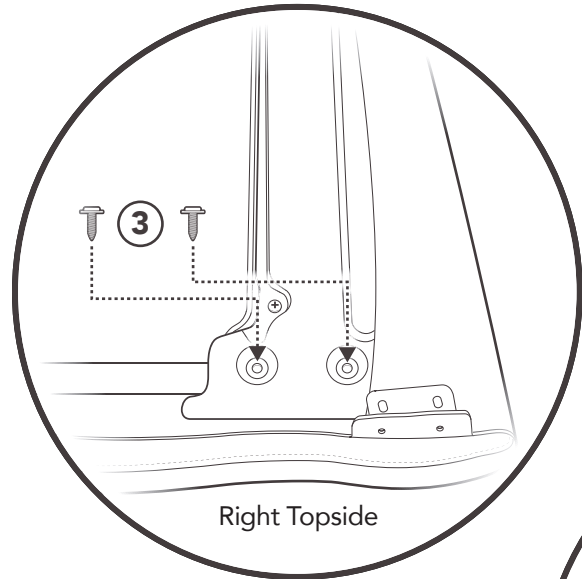
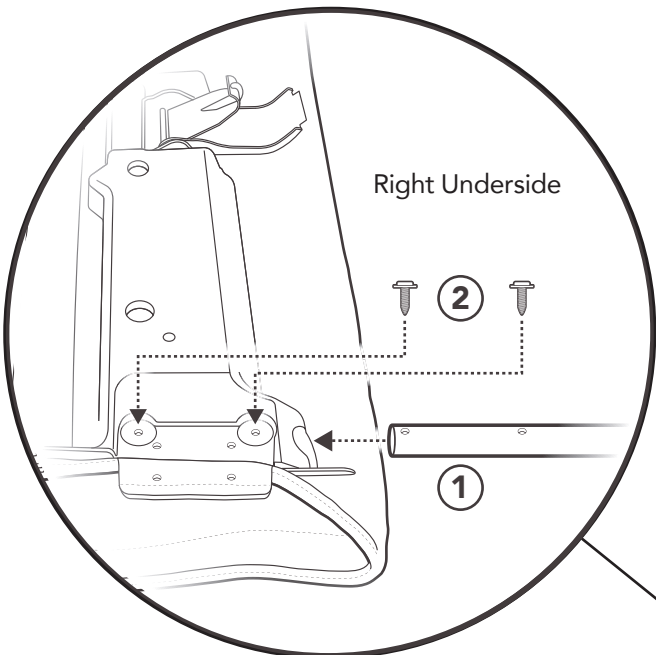
Remove and set aside the two screws holding the protective flap down on the inside of the header. Fold the protective flap back to expose the screw holes used for attaching the Right Side Bow.

Repeat on left side of Header/Fabric Assembly.



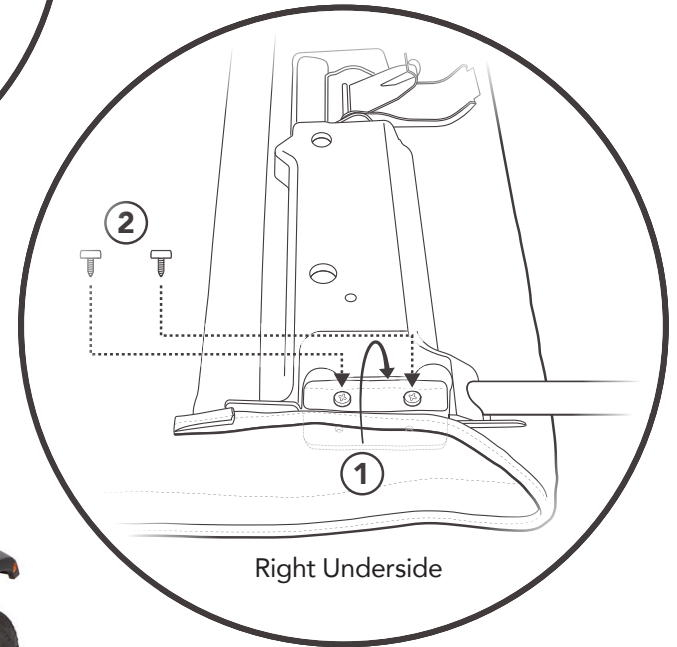
Step 2 486.52 486.53 393.79

Step 2 (cont.)



Pan Head
Washer Screw
Qty. 4 per side
Part # 393.79

Step 3 Header/Fabric Assembly



Step 2

Insert the end of the Right Side Bow #486.52 into the hole in the right side of the Header/Fabric Assembly, aligning the two holes in the tubing with the two holes in the header. Make sure that the Spring Catch faces in.

Secure the Right Side Bow in place with four (4) #8 x 1/2" Pan Head Washer Screws #393.79: two from the underside of the Header/Fabric assembly, and two from the topside.

Repeat on left side, using Left Side Bow.

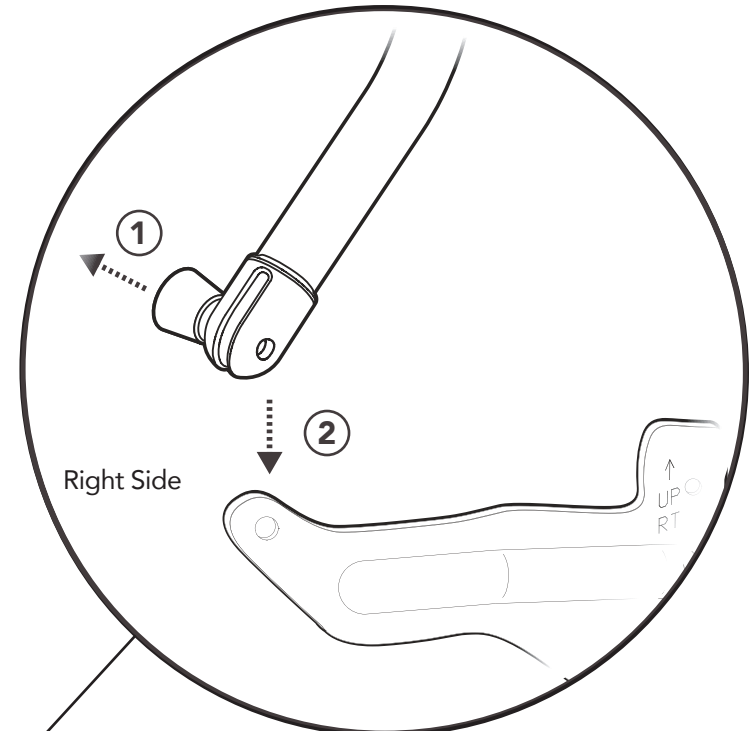
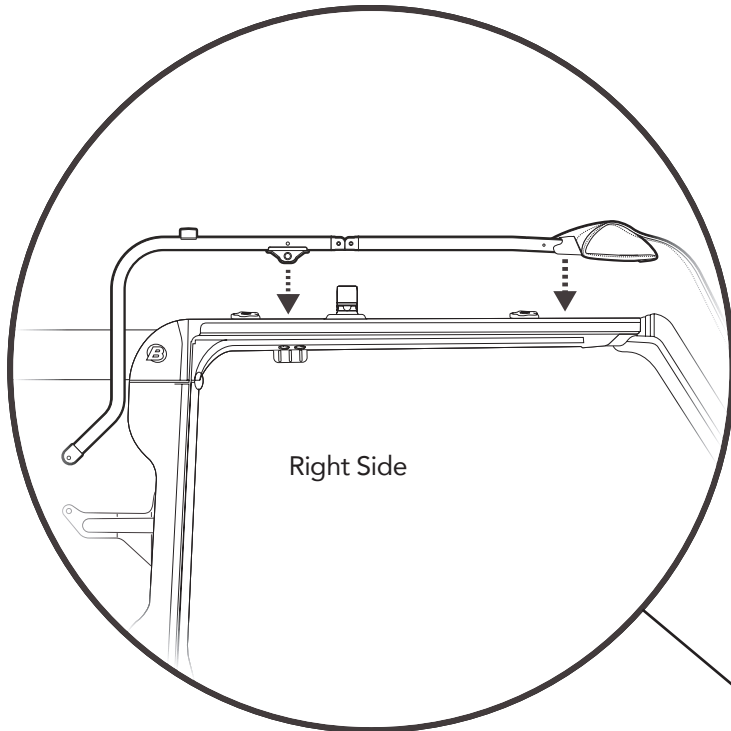


Step 3

Replace the protective flaps on both sides, and re-insert the screws you set aside, two for each side.

Step 1 Fabric/Header/Side Bow Assembly

Step 2 Side Bow Assembly



Step 1

Lift Fabric/Header/Side Bow Assembly onto top of Jeep, with the Header sitting on top of the Jeep windshield, and the fabric draped forward over the Jeep hood.

You may want to protect the finish of the Jeep by putting a blanket across the Jeep hood.

Extend the Side Bows out straight and lay the Side Bows on top of the Door Rails.



Step 2

Release the spring-loaded catch at the end of the bow leg by pulling out on the knob.

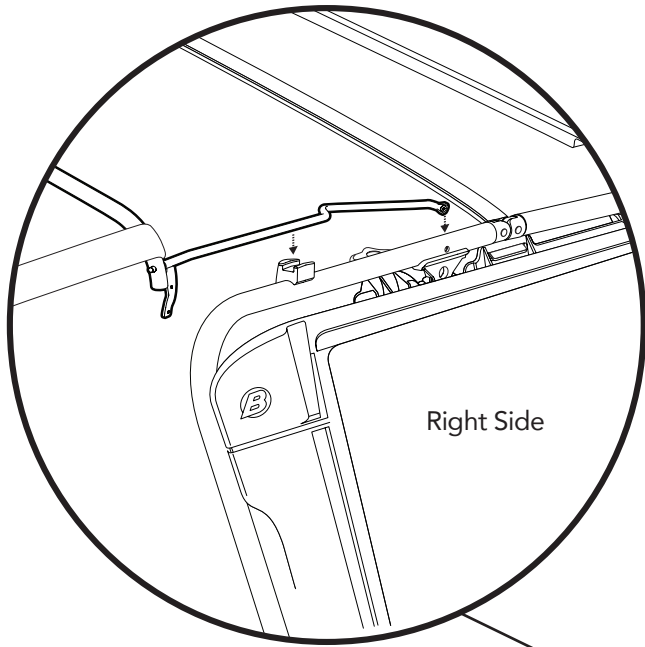
Slide the slotted end of the catch over the leg of the Bow Mount Bracket, and release the catch so that it snaps into place in the hole.

Repeat on the left side.

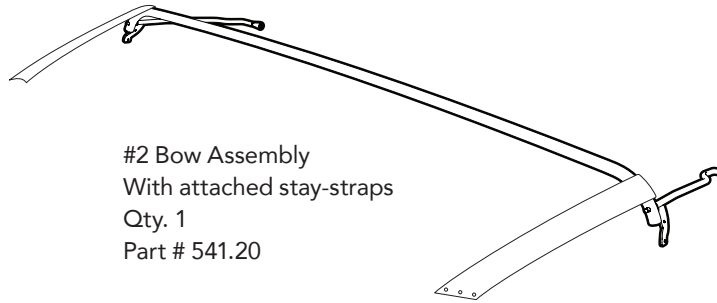
Step 1 541.20

Hardware

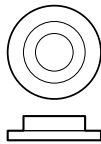
Step 2	473.40	308.62
		308.87



Right Side



#2 Bow Assembly
With attached stay-straps
Qty. 1
Part # 541.20



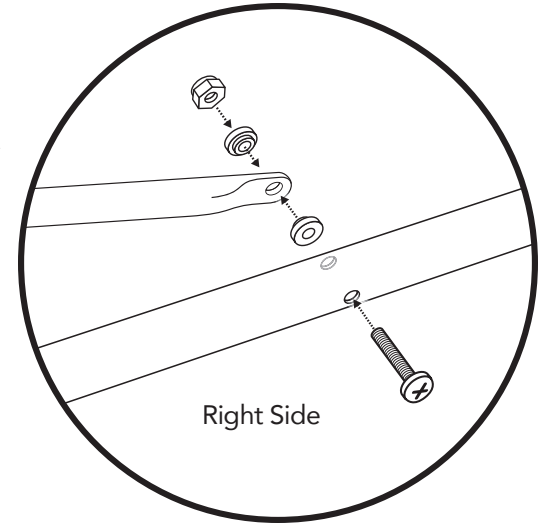
Plastic Bushing
Qty. 2 per side
Part # 473.40



M5 Nylock Nut
Qty. 1 per side
Part # 308.62



M5 x 30 Screw
Qty. 1 per side
Part # 308.87



Right Side

Step 1

Locate the #2 Bow Assembly #541.20 with attached stay straps. Place the #2 Bow Assembly on top of the side bows, with the legs of the #2 Bow resting on the plastic spacers on top of each side bow tubing. Align the holes in the end of each #2 Bow leg with the holes in the side bows.



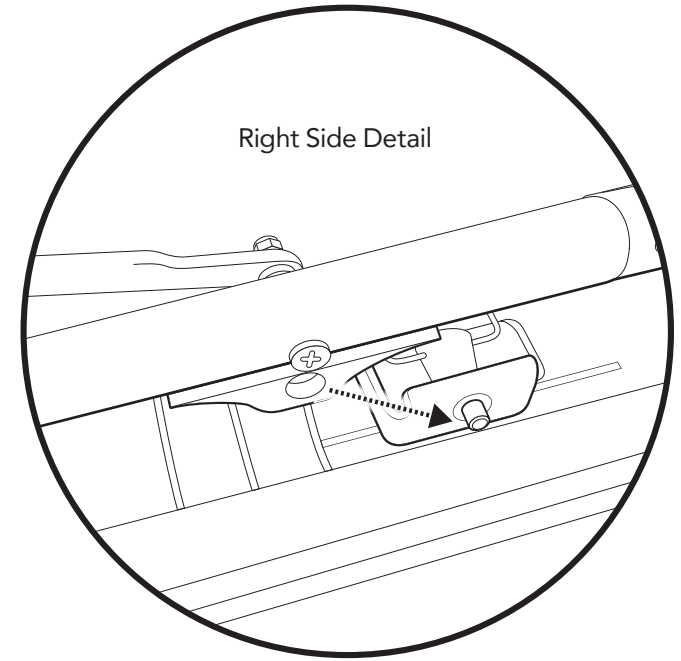
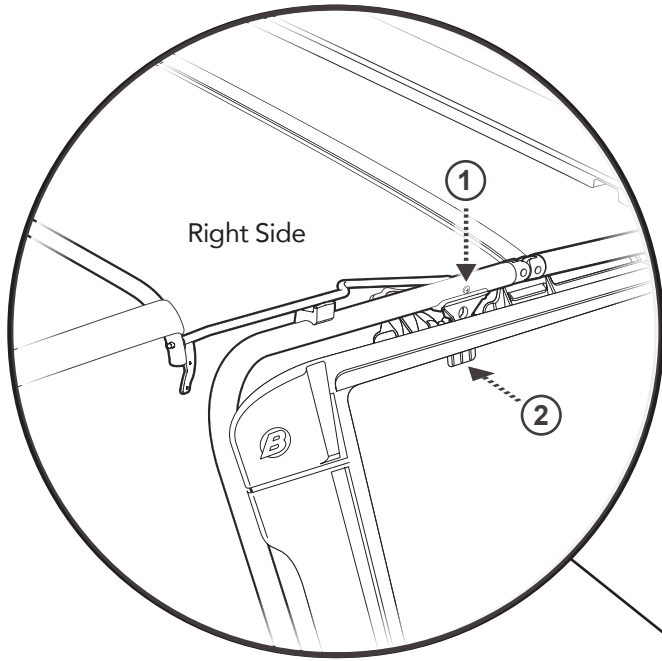
Step 2

Secure the #2 Bow Assembly to the side bow using one (1) M5x30 screw #308.87, two (2) plastic bushings #473.40, and one (1) M5 Nylon Lock Nut #308.62 per side, in the order shown in the diagram above.

Repeat on the left side.

Step 1 Header/Fabric/Side Bow Assembly

Detail



Step 1

Align the Header/Fabric/Bow Assembly so that the locking flange with brass bushing is positioned above the spring-loaded locking lever assembly in the top of the door rail.

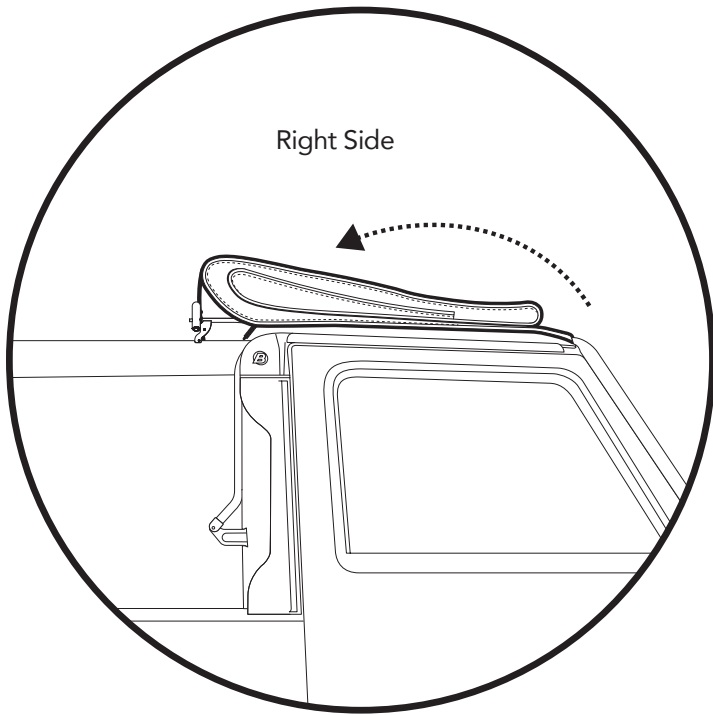
While pushing in the latch release lever on the underside of the door rail, slide the Header/Fabric/Bow Assembly down so that the locking flange aligns with the spring-loaded locking pin.

Release the latch lever so that the locking pin engages the brass bushing.

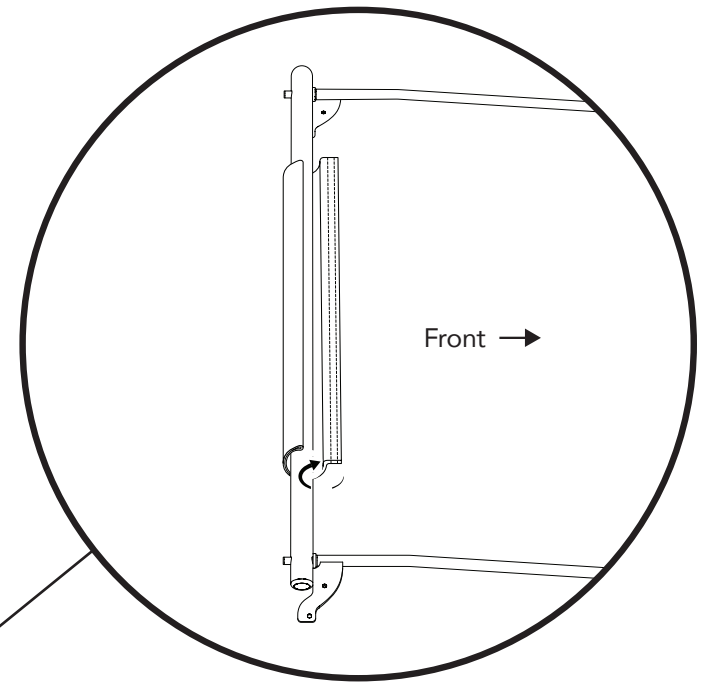
Repeat on the left side.



Step 1



Step 2



Step 1

Bring the Top Fabric from the hood of the Jeep back, and fold the top fabric partway back across the top of the Jeep, so that the long fabric bowflaps sit just in front of the #2 bow.



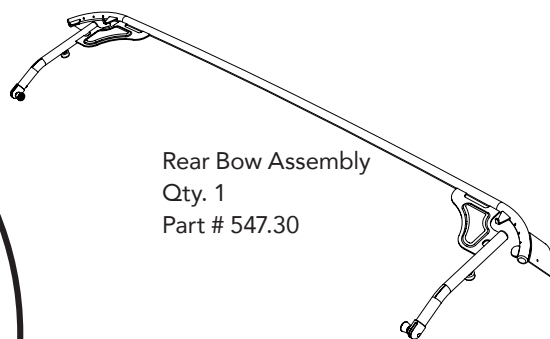
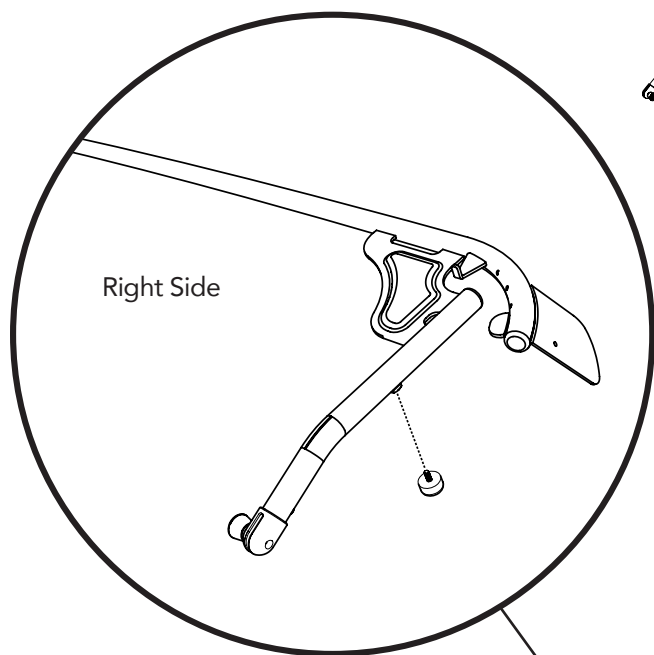
Step 2

Wrap the flaps located just in front of the #2 Bow under the bottom of the #2 Bow, from front to back, and secure by attaching the hook and loop fabric together along the length of the flaps.

Step 1 538.96

Hardware

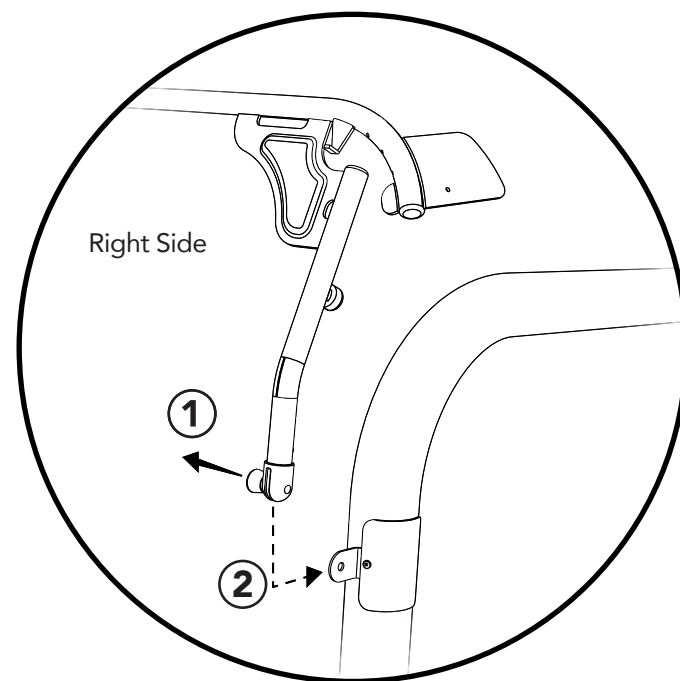
Step 2 547.30



Rear Bow Assembly
Qty. 1
Part # 547.30



#8-32 Threaded Stud
Bumper
Part #538.96
Qty. 2



Step 1

Attach a Rubber Bumper #538.96 to the underside of each rear leg of the Rear Bow Assembly, #547.30.

Step 2

Attach the Rear Bow Assembly #547.30 to the Pin Point Bracket on the rear downtube of the sport bar by pulling out on the spring catch release knob, and sliding the catch over the protruding tab of the Pin Point bracket as shown in the diagram above.

Repeat for the left side.



Step 1

Hardware

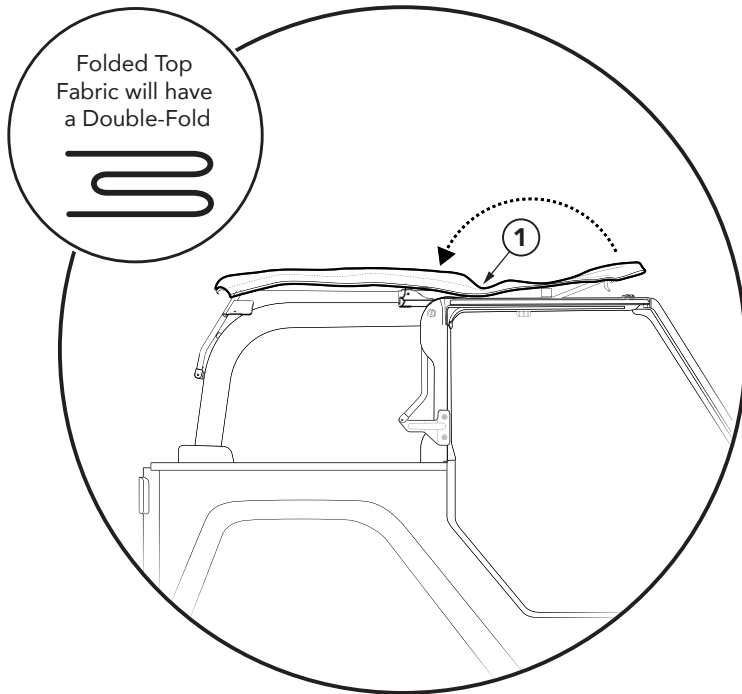
Step 2

393.79

545.13

545.14

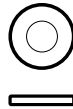
545.15



Pan Head Washer Screw
Qty. 2 per side
Part # 393.79



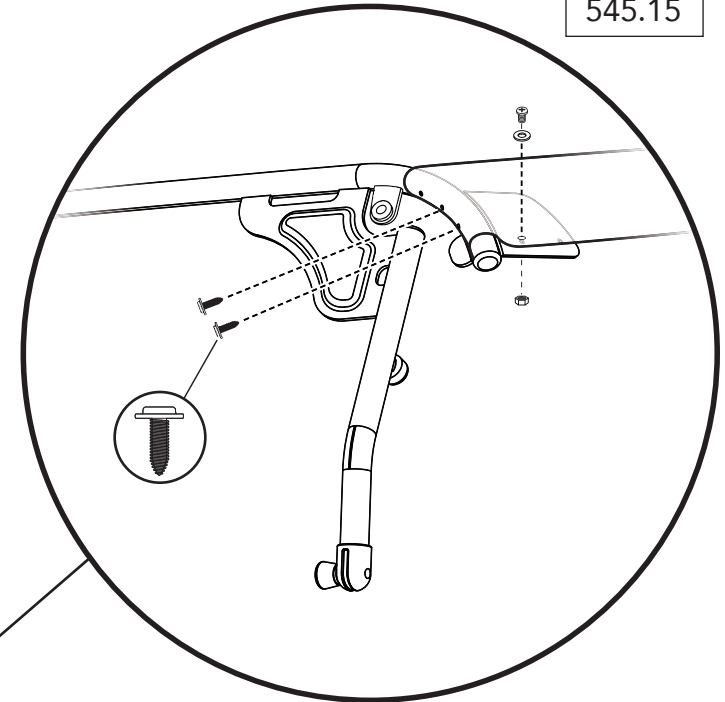
M3 Nylon Lock Nut
Part #545.14
Qty. 4



M3 Flat Washer
Part #545.13
Qty. 4



M3 Machine Screw
Part #545.15
Qty. 4



Step 1

Lift up the fabric and drape it back over the top of the Jeep, pulling it over the top of the Rear Bow Assembly and Stay Strap connecting to the #2 Bow.

Open the Sunrider. Fold the Sunrider back from the front pivot point, resting the front portion of the top on the rear portion.

When folding the Sunrider back, be sure to push the fabric in at location ① as shown above, so that with the Sunrider folded all the way back, the fabric ends up with a double-fold, as shown.



Step 2

Locate the loose end of the right side Stay Strap. Wrap the Stay Strap over the top of the right side of the Rear Bow, and attach it to the Rear Bow Assembly with two (2) #8x1/2" Pan Head Washer Screws #393.79 per side, using the outer two pre-drilled holes in the Rear Bow Assembly.


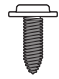
Attach the Stay Strap to the Rear Bow "Flag" using one (1) M3 Machine Screw #545.15, one (1) M3 Flat Washer #545.13 and one (1) M3 Nylon Lock Nut #545.14. Use the hole closest to the tube.

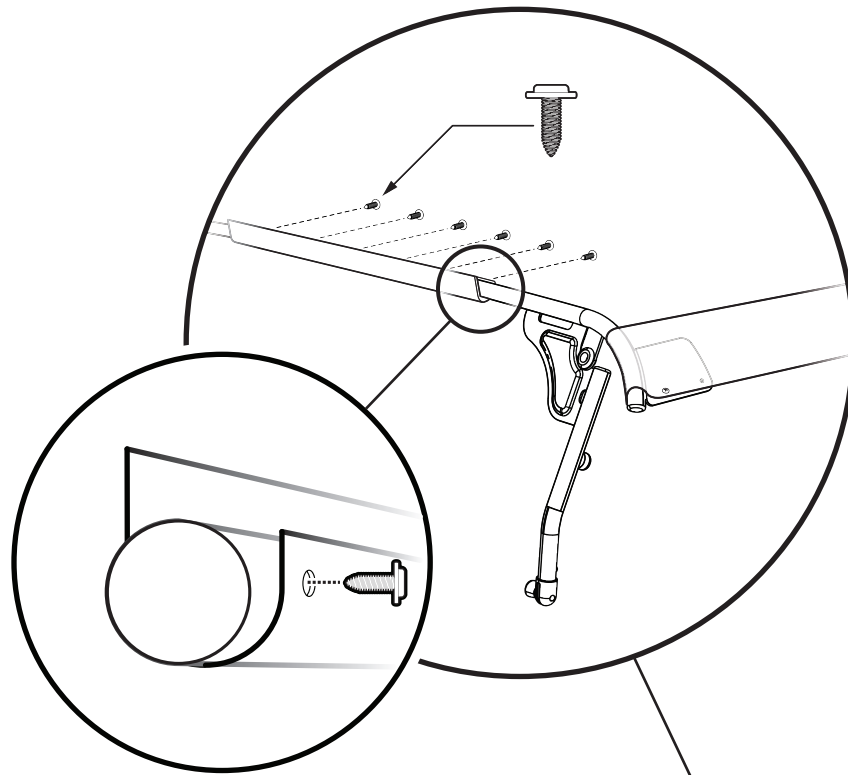
Repeat for left side Stay Strap.

Step 1 393.79

Hardware

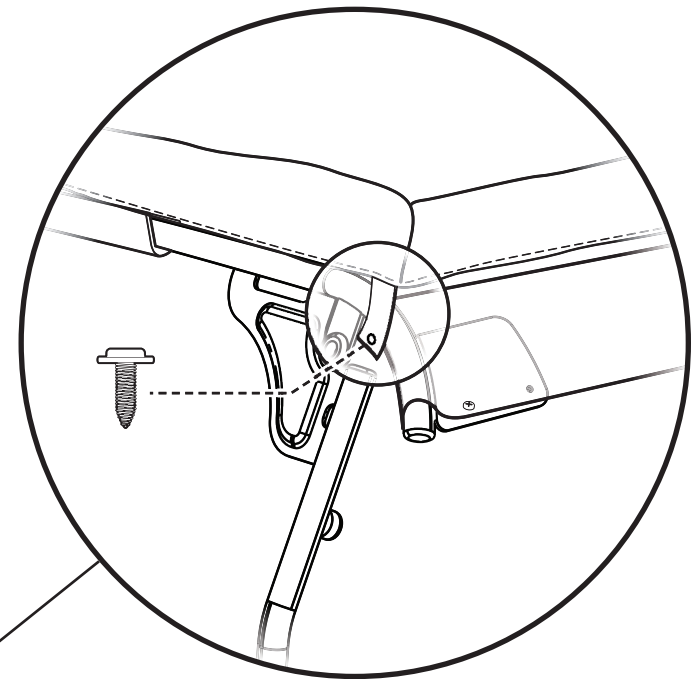
Step 2

-  Pan Head Washer Screw
-  Part # 393.79
- Qty. 8



Step 1

Attach the long fabric flaps on the inside of the fabric top to the Rear Bow Assembly. Wrap the flap around the back side and underneath the Rear Bow, and secure the flap to the front side of the Rear Bow using six (6) Pan Head Washer Screws #393.79.

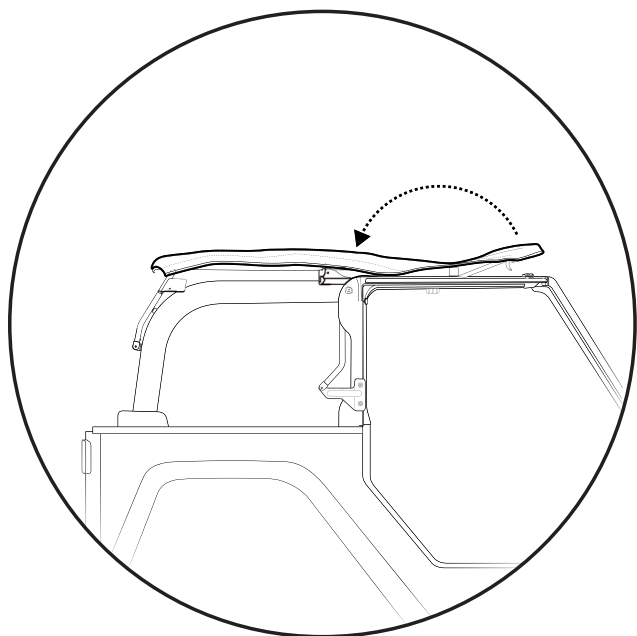


Step 2

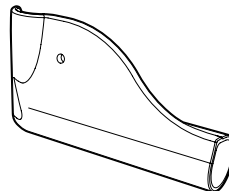
Locate the small fabric flap at each rear corner of the fabric top, and attach the flap to the inner hole in the Rear Bow Assembly, using one (1) Pan Head Washer Screw #393.79 per side.



Step 1



Hardware

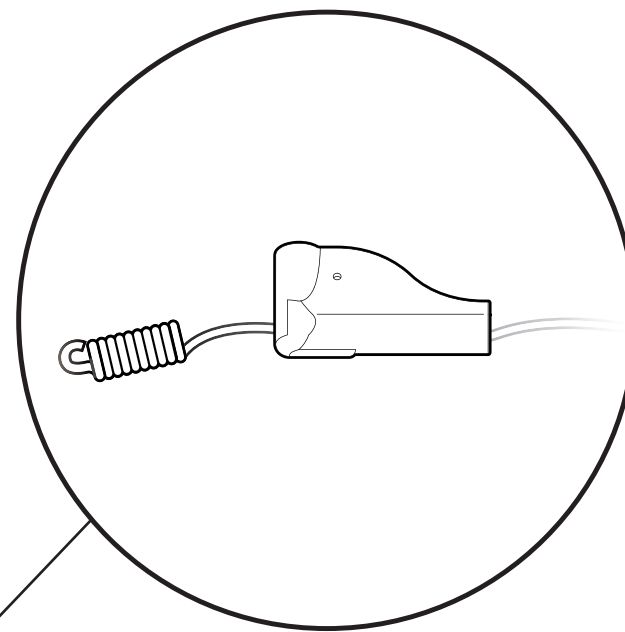


Cable Pockets
Qty. 1 of each
Part # 544.22 - Right
Part # 544.23 - Left

Step 2

544.22

544.23



Step 1

Make sure that the Sunrider is still open.

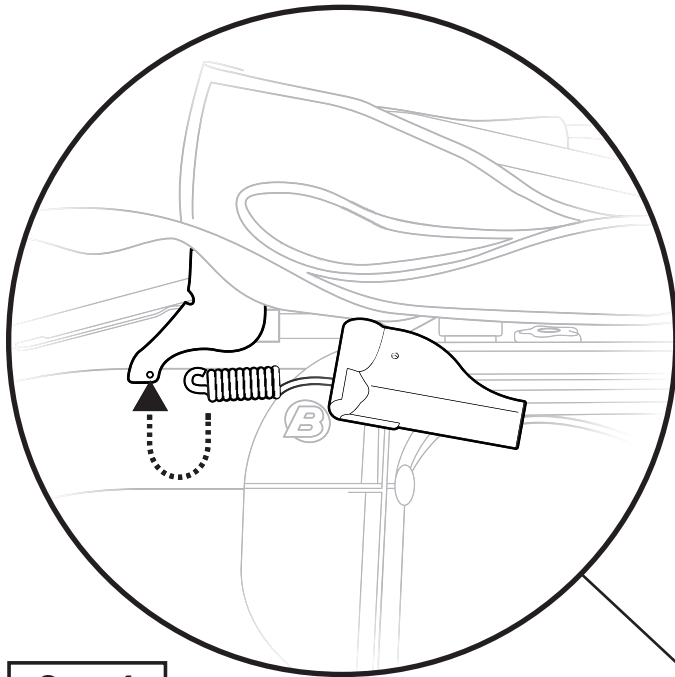
Step 2

Thread the right side Cable Spring through the Right Cable Pocket #544.22 as shown, and move the Cable Pocket along the cable to get it out of the way.

Repeat on the left side of the Jeep with the #544.23 Cable Pocket.



Step 1



Step 1

Attach the free end of the right side Cable Spring to the bottom hole in the #2 Bow corner bracket, just behind the right side Door Rail.

Repeat on the left side of the vehicle.

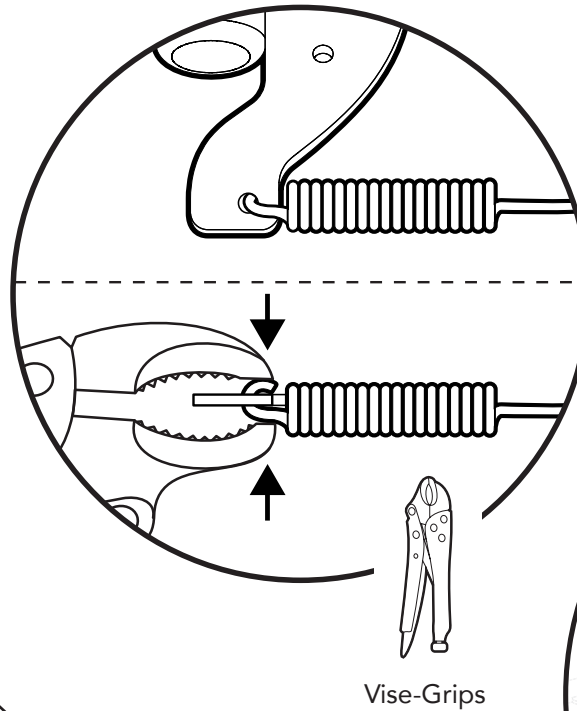
Step 2

Crimp the end of the spring where it passes through the hole in the corner plate, to prevent it from coming loose.

Repeat on the left side of the vehicle.






Step 2

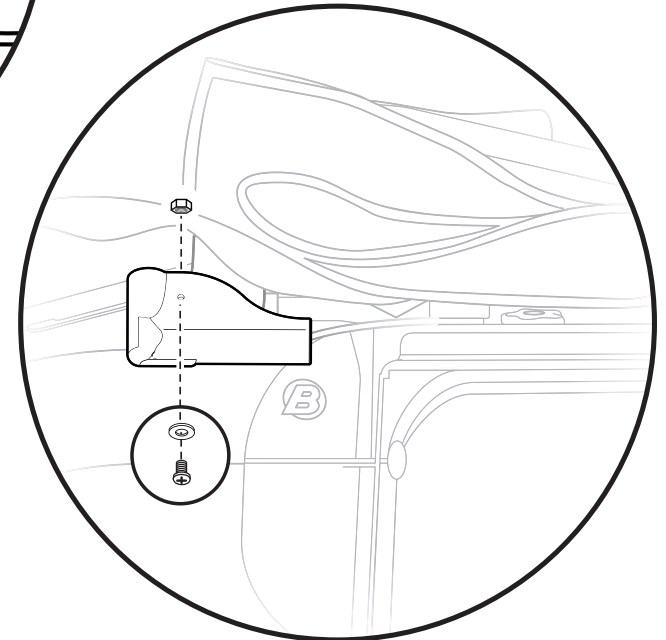


Vise-Grips

Hardware

-  M3 Nylon Lock Nut
Part #545.14
Qty. 1 per side
-  M3 Flat Washer
Part #545.13
Qty. 1 per side
-  M3 Machine Screw
Part #545.15
Qty. 1 per side

Step 3



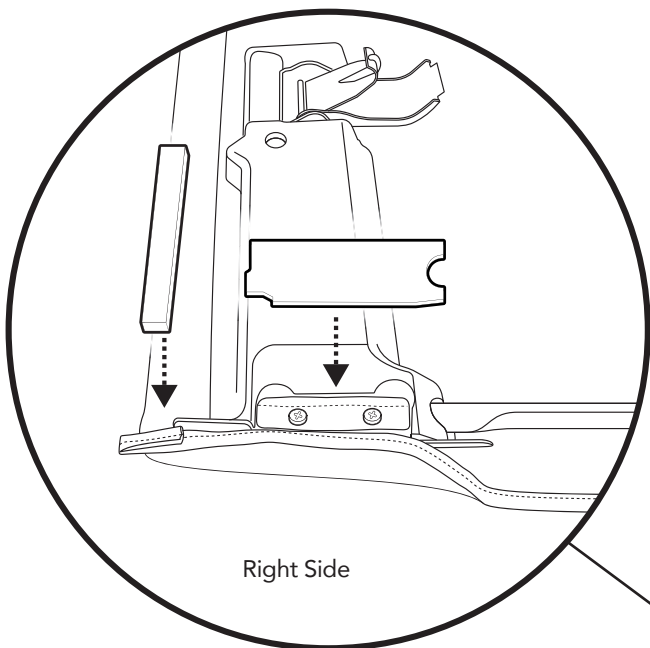
Step 3

Attach the right side Cable Pocket to the #2 Bow corner plate, using one (1) M3 Machine Screw #545.15, one (1) M3 Flat Washer #545.13, and one (1) M3 Nylon Lock Nut #545.14.

Repeat on the left side of the vehicle.

Step 1	417.43	457.76	457.77
---------------	--------	--------	--------

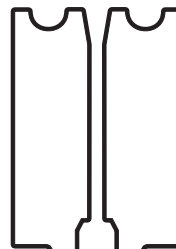
Hardware



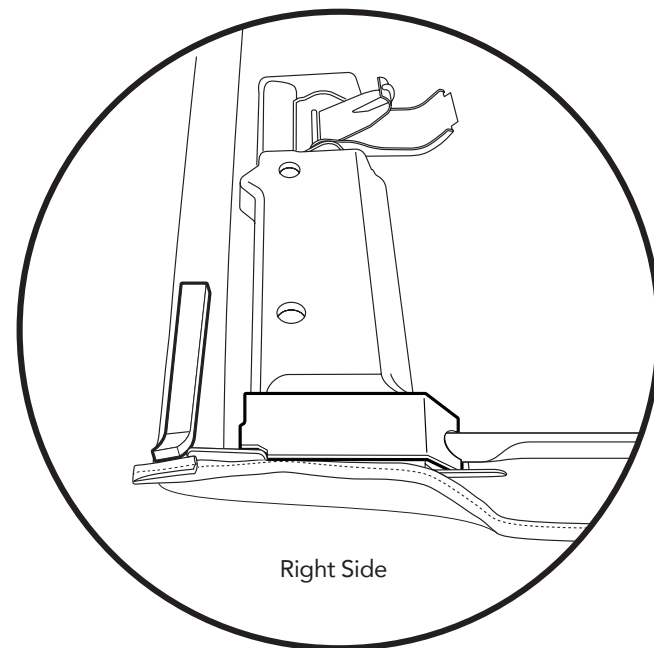
Right Side



Foam Tape Strips
Qty. 2
Part # 417.43



Foam Seals
Qty. 1 per side
Part # 457.77 - Left
Part #457.76 - Right



Right Side

Step 1

With the front portion of the top folded back, locate the two (2) Foam Seals #457.76 & #457.77 and the two (2) Foam Tape Strips #417.43.

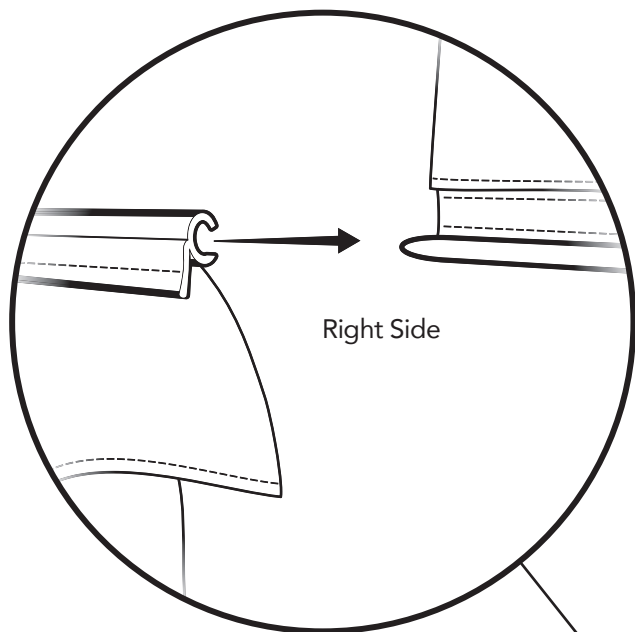
Remove the protective liner from the back side of the Foam Seal and place the Foam Seal in the location shown in the diagram.

Remove the protective liner from the back side of the Foam Tape Strip and place the Foam Tape Strip in the location shown in the diagram.

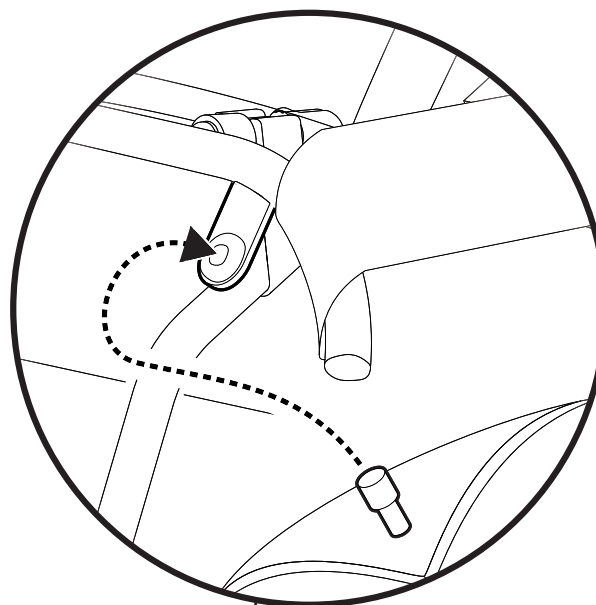
Repeat for the left side of the vehicle.



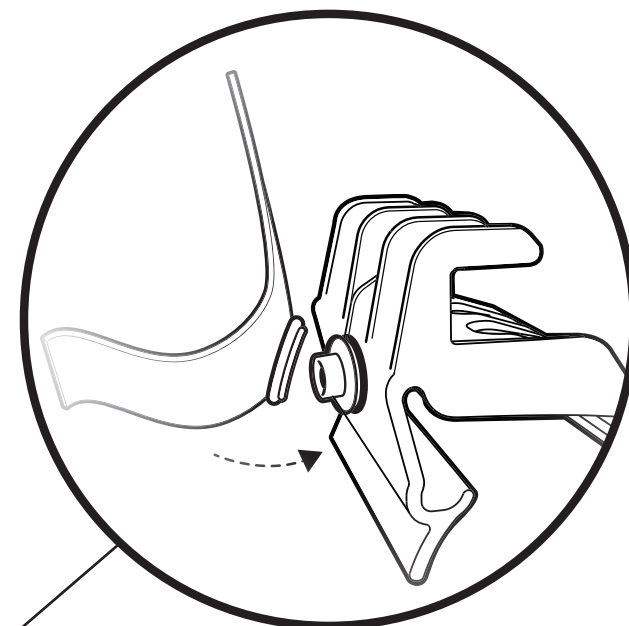
Step 1 Quarter Windows



Step 2



Step 3



Step 1

Locate the plastic channel along the lower edge of the top fabric, on the right side.

Insert the tapered tip of the sewn-in plastic tube at the top edge of the Quarter Window into the open end of the rear of the channel sewn onto the bottom edge of the top fabric and slide the Quarter Window forward until it stops at the back of the Rear Door Rail.

Step 2

Fold back the top corner of the right Quarter Window and locate the Pin on the inside top corner of the Quarter Window.

Insert this pin into the grommet on the tab at the right rear side of the #4 Bow.

Repeat on both Quarter Windows.

Step 3

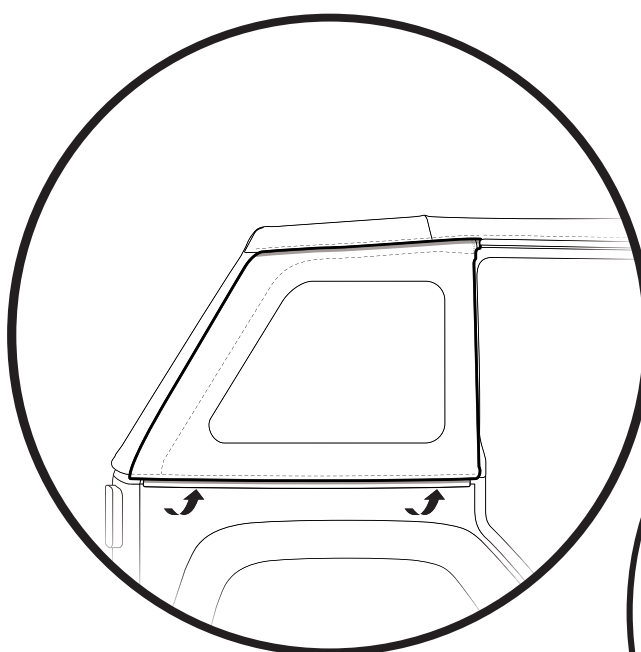
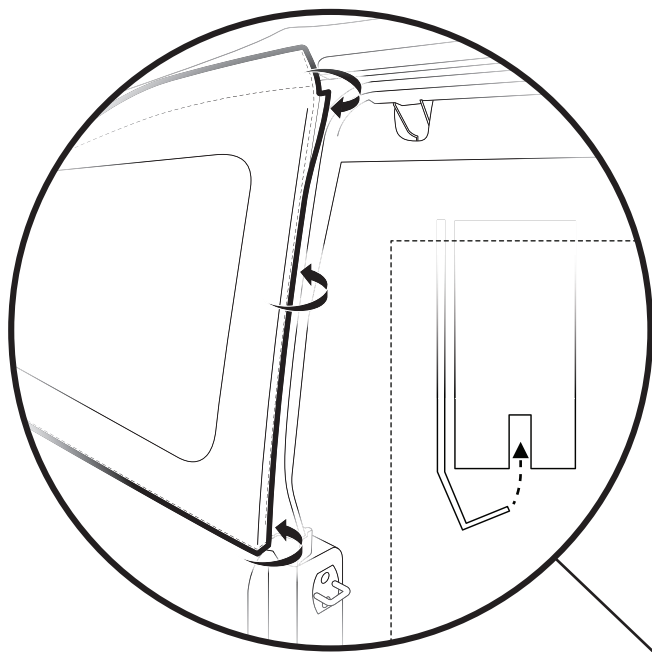
Locate the straps with sewn-in snaps at the bottom inside corner of each Quarter Window.

Snap the end of each strap to the snap on the inside of each Tailgate Bar Mount.

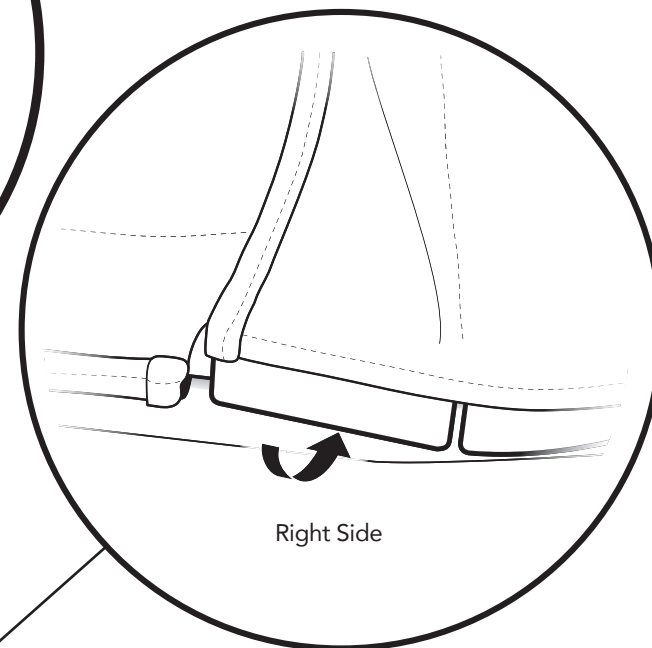


Step 3 Quarter Windows

Step 4



Step 5



Step 3

Tuck the plastic angle strip along the front edge of the Quarter Window into the vertical channel on the front of the Rear Door Rail. The plastic angle strip and attached fabric must be rolled into place in the channel.

Repeat on both Quarter Windows.

Step 4

Tuck the plastic strip along the bottom edge of each Quarter Window under the Jeep belt rail, by rolling it up underneath the belt rail.

Repeat on both Quarter Windows.

Step 5

Tuck the plastic tabs at the bottom rear corner of the right Quarter Window under the Jeep belt rail, by rolling the tabs up underneath the belt rail.

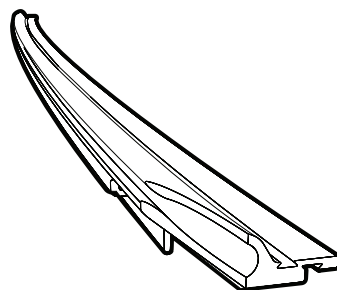
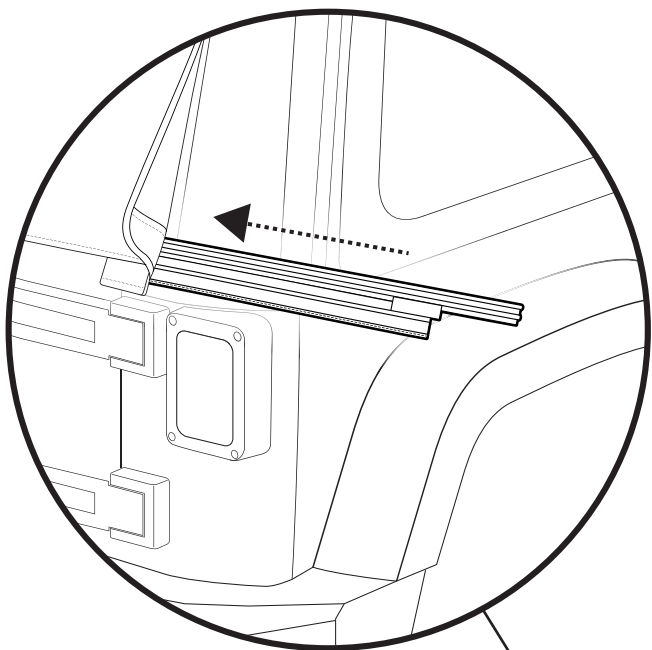
Repeat on the left Quarter Window.



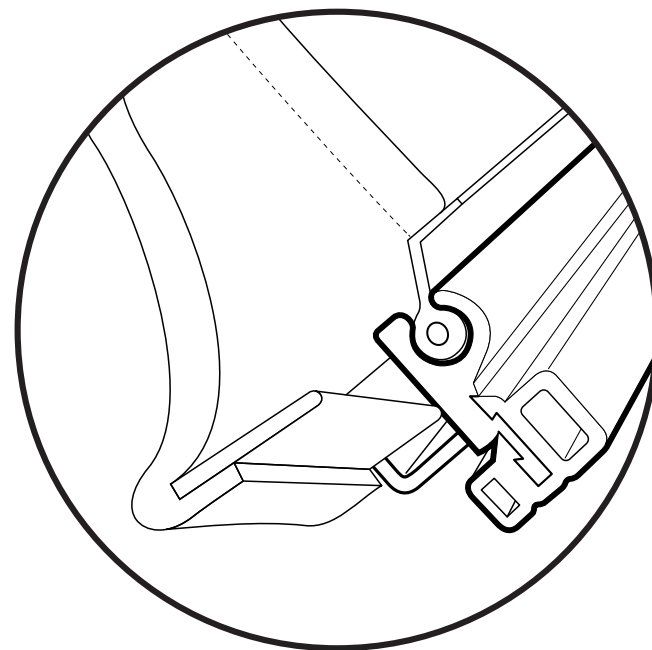
Step 1 538.76

Hardware

Step 2



Tailgate Bar
Qty. 1
Part #538.76



Step 1

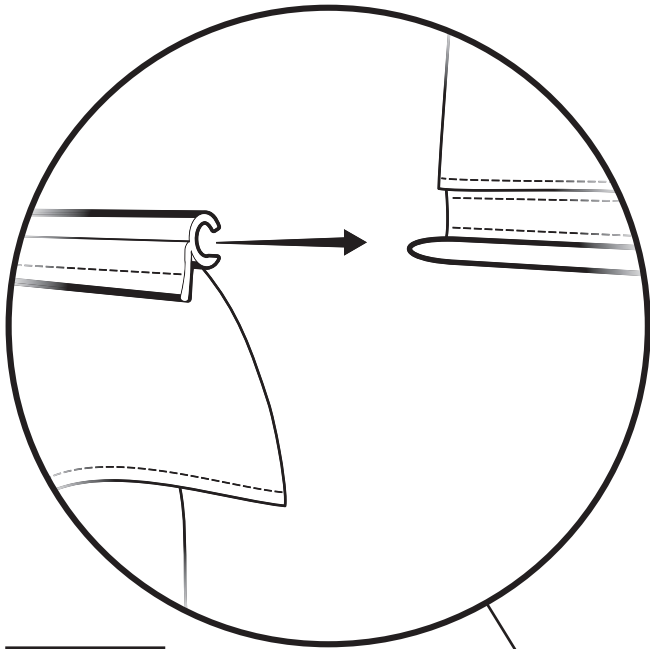
Locate the Tailgate Bar, and slide it onto the tubing attached to the bottom inside of the Rear Window.

Step 2

The round channel on the side of the Tailgate Bar slides over the tubing.



Step 1 Rear Window

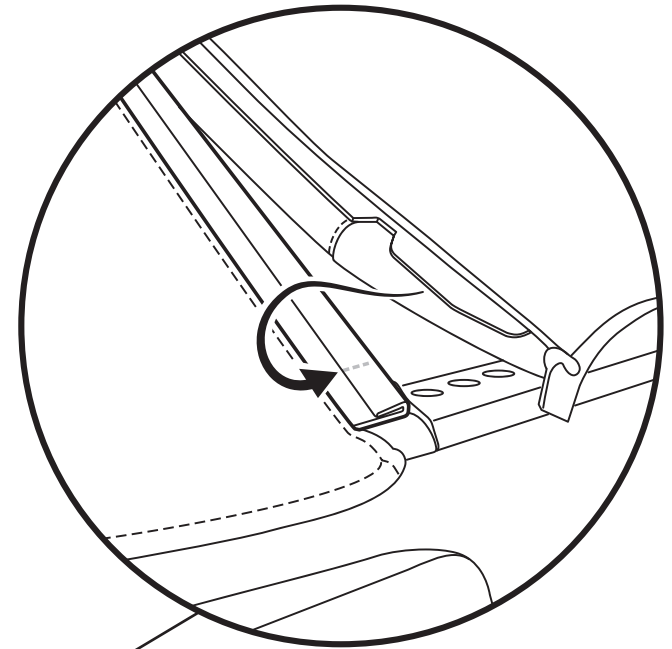


Step 1

Locate the plastic channel along the lower edge of the top fabric at the rear.

Insert the tapered tip of the sewn-in plastic tube on the top edge of the Rear Window into the open end of the channel at the back of the fabric top and slide the Quarter Window to the right until it meets the right end of the channel.

Step 2



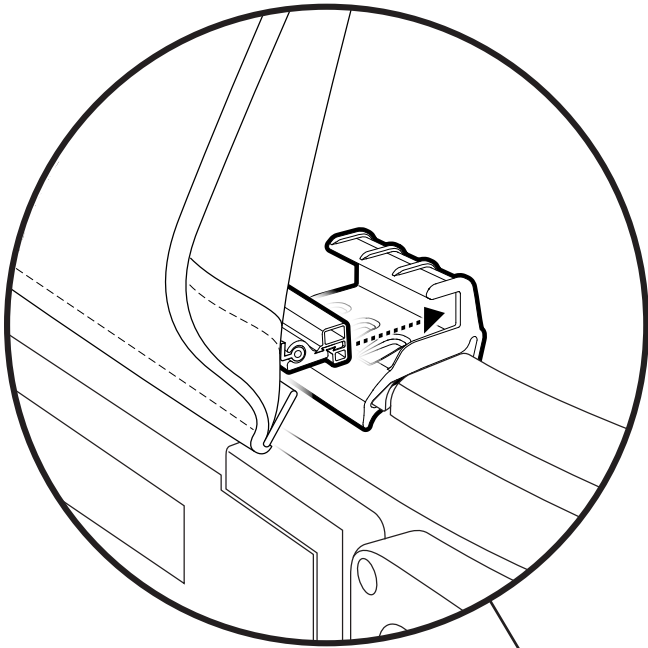
Step 2

Locate the plastic channel along the rear inside edge of each Quarter Window.

Roll the sewn-in plastic tab on the outside edge of the Rear Window into the open side of the channel, starting either at the top and working down, or at the bottom and working up.



Step 1

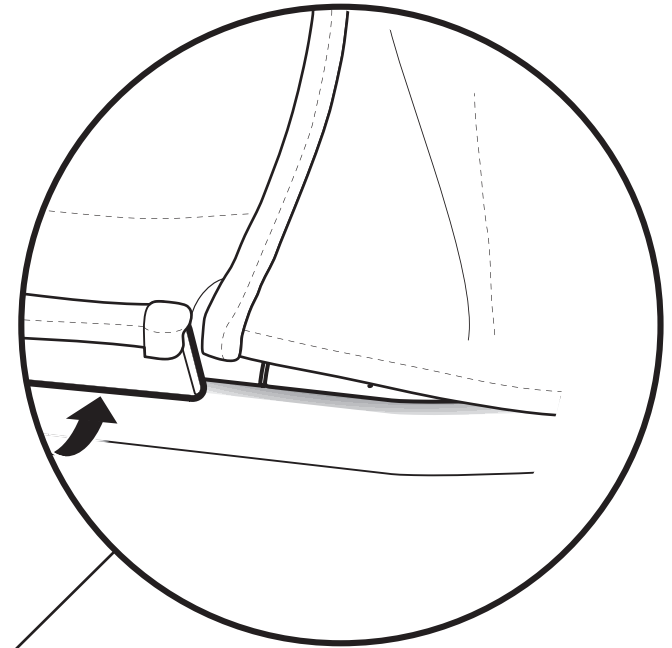


Step 1

Snap the front edge of the Tailgate Bar into the channel on each Tailgate Bar Mount.

Repeat for both sides of the tailgate.

Step 2



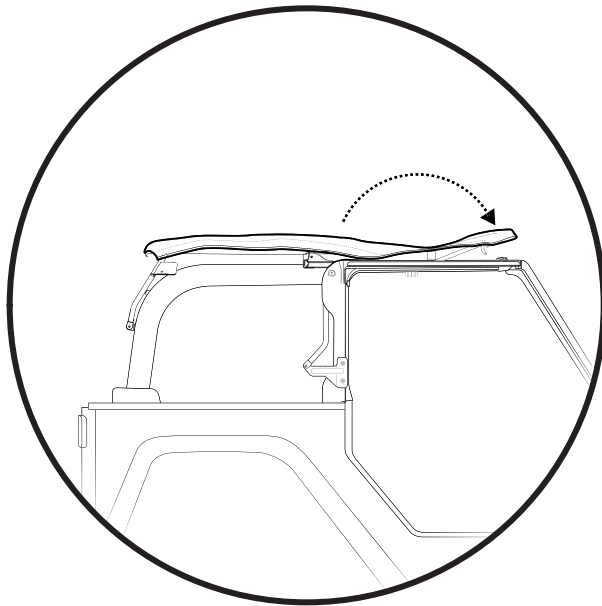
Step 2

Tuck the plastic tab at the bottom right of the Rear Window under the Jeep belt rail, by rolling it up underneath the belt rail.

Repeat on the both sides of the Jeep.



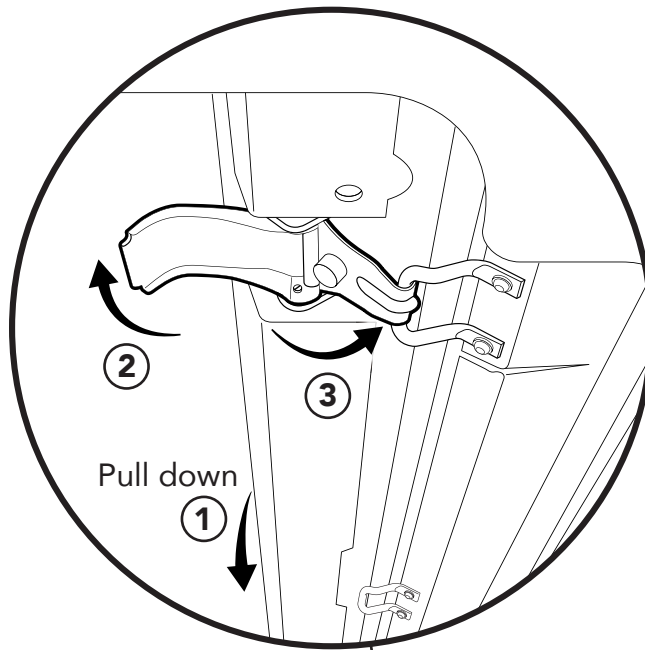
Step 1



Step 1

Flip the Sunrider forward.

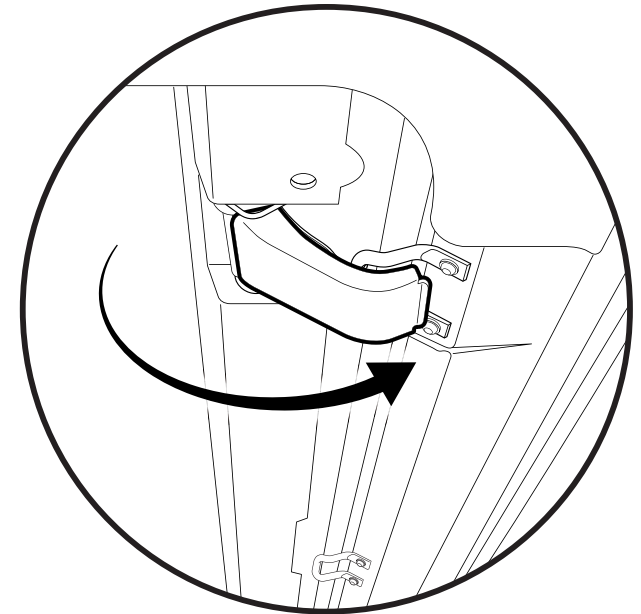
Step 2



Step 2

From inside the Jeep, locate the two Windshield Header Latches. To close the latch, pull down on the center of the header and pivot the latch handle to the completely open position to allow the hook to engage the windshield loop. Now pivot the hook forward to engage the windshield loop.

Step 3

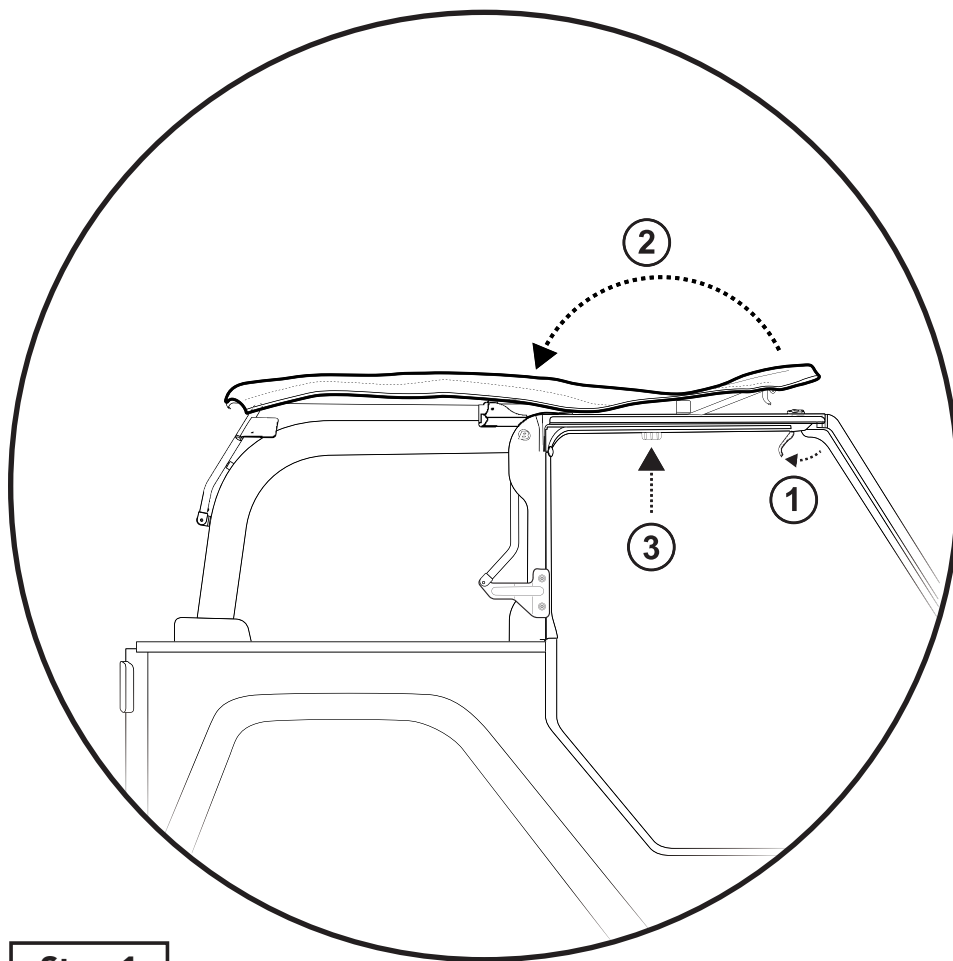


Step 3

When the hook is engaged with the windshield loop, close the latch by pivoting it forward toward the windshield.



Step 1

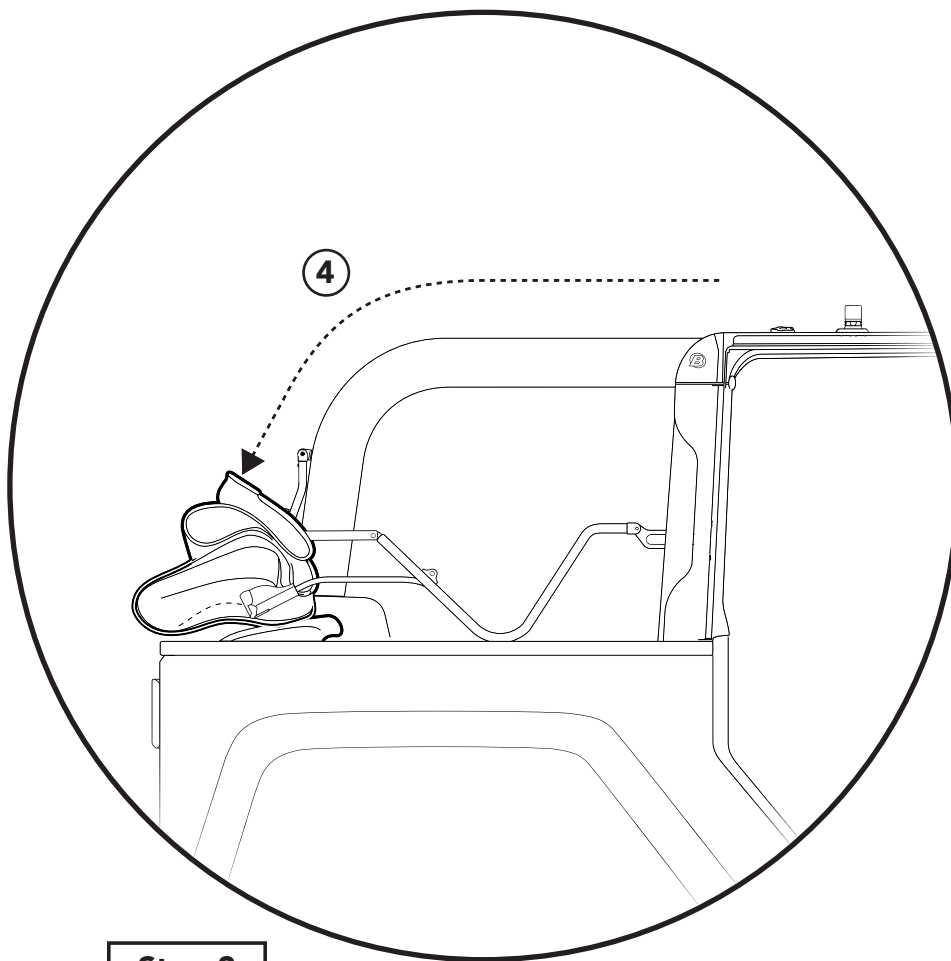


Step 1

Remove the Quarter Windows and the Rear Window, and stow in a secure place to avoid scratches.

- ① Release the windshield latches.
- ② Fold the front header back, keeping the fabric folded neatly.
- ③ Push down on the spring catch lever to release the side bows.

Step 2



Step 2

- ④ Lift the fabric and bow assembly and swing it back to the rear of the Jeep, resting the entire assembly on the top edge of the Jeep belt rail. Wrap the fabric around the bows, and tuck the #2 and Rear Bows under the fabric. Tuck fabric in around the edges.



Warranty Information Trektop NX Glide 2-Door

Vehicle Application:
Jeep® Wrangler 2007-2017
Part Number 54922

WHAT BESTOP WARRANTS

Subject to the terms and conditions of sale, including any terms and conditions set forth by Bestop, Inc. ("Bestop" or "us" or "we") in our then-current terms of sale on our website (collectively, the "Terms"), Bestop represents and warrants that: the covered products listed in the "Covered Products and Warranty Periods" section (a "Product") will substantially be free from defects in materials and workmanship for the specified warranty periods set forth in that section.

THE WARRANTY IS LIMITED AND CONDITIONAL

This warranty applies to the original purchaser of the Product only. The warranty is valid only as long as the original retail purchaser owns the vehicle upon which the Product is installed. The warranty expires should the Product be removed from the original vehicle or if the original vehicle is transferred to another owner. This warranty is not transferable or assignable. The warranty does not apply to Product bought from auction-style or price-bid websites.

THE LIMITED WARRANTY AND STATED REMEDIES ARE SOLE AND EXCLUSIVE AND IN LIEU OF ALL OTHER WARRANTIES AND REMEDIES, AND COMPANY EXPRESSLY DISCLAIMS ALL IMPLIED OR STATUTORY OR OTHER WARRANTIES, INCLUDING WITHOUT LIMITATIONS WARRANTIES OF MERCHANTABILITY, NON-INFRINGEMENT OR FITNESS FOR A PARTICULAR PURPOSE. IN NO EVENT WILL COMPANY BE LIABLE FOR ANY SPECIAL, INCIDENTAL, CONSEQUENTIAL, PUNITIVE, INDIRECT OR EXEMPLARY DAMAGES OF ANY KIND, INCLUDING LOST PROFITS OR REVENUE, HOWEVER CAUSED, WHETHER FOR BREACH OR REPUDIATION OF CONTRACT, TORT, BREACH OF WARRANTY, NEGLIGENCE, OR OTHERWISE, WHETHER OR NOT COMPANY WAS ADVISED OF THE POSSIBILITY OF SUCH LOSS OR DAMAGES.

Some states do not allow exclusion or limitation, so this may not apply to you. This warranty gives you specific legal rights, and you may have other rights which vary from state to state.

EXCLUSIONS TO THE WARRANTY

The Limited Warranty excludes, and Bestop is not liable in any way for any warranty claims, damages, or defects related to:

- Misuse, abuse, accidents, vandalism, negligence, fire, or improper installation or modification, or improper or inadequate maintenance;
- Failure to comply with any Product documentation, Bestop instructions, or applicable law or regulations; use in extreme conditions
- Force Majeure including but not limited to, earthquake, hurricane, tornado, flooding, or other disasters natural or man-made, civil unrest, strikes, declared or undeclared war, or lack of performance by, or discontinued product of, supply chain partners whose products, software, operations or management is beyond the control of Bestop;
- Damage resulting in breakage (including without limitation, spontaneous breakage, accidental breakage or breakage by any other means) of a Product or any component part;
- Damage to vinyl windows due to misuse, or cracking due to varying weather conditions.

YOUR SOLE REMEDY

During the applicable warranty period, Bestop shall, at its option, either repair or replace any Product that it confirms, in its discretion, is non-compliant with the warranties herein. Bestop will not pay for labor charges associated with installation or removal of the Product. Should a specific Product be discontinued, Bestop may, at its option, replace the discontinued Product with a current product or like product.

Please retain your proof of purchase. Original proof of purchase for the Product must accompany any warranty claim. If you have a warranty claim, first you must email Bestop Customer Service at csbestop@bestop.com for instructions. All claims must be emailed to csbestop@bestop.com within 30 days of discovery of a defective Product, but in no event later than thirty days after the end of the applicable Warranty Period (the "Warranty Notice Period"). Warranty claims made after the Warranty Notice Period are null and void and Bestop shall have no responsibility with respect to such claims.

THIS SECTION SETS FORTH BESTOP'S SOLE OBLIGATION & YOUR SOLE REMEDY WITH RESPECT TO ANY DEFECTS OR OTHER PRODUCT ISSUE. ANY PRODUCTS REPLACED UNDER TERMS OF THIS WARRANTY WILL BE COVERED UNDER TERMS & BALANCE OF THE DURATION OF THE ORIGINAL LIMITED WARRANTY FOR SUCH PRODUCT.



Warranty Information Trektop NX Glide 2-Door

Vehicle Application:
Jeep® Wrangler 2007-2017
Part Number 54922

COVERED PRODUCTS AND WARRANTY PERIODS: The warranty time periods are as follows for Products manufactured by Bestop:

BESTOP® LIMITED LIFETIME WARRANTY

Trektop® Pro Twill Fabric Top Sunrider® for Hardtop Twill Fabric Top
Trektop® NX Glide Twill Fabric Top Replace-a-Top™ Twill Fabric Top
Trektop® NX Twill Fabric Top Supertop® NX Twill Fabric Top
EZFold™ Soft Tonneaus Floor & Cargo Liners
ZipRail™ Soft Tonneaus Pet Barriers
EZRoll™ Soft Tonneaus

BESTOP® 5-YEAR LIMITED WARRANTY

Trektop® NX Glide™ Top (non-Twill) Sunrider® for Hardtop (non-Twill) Replace-a-Top™ Top (non-Twill) Trektop® NX Top (non-Twill)
Sailcloth Replace-a-Top™ Supertop® NX Top (non-Twill)
Tigertop™ and Halftop™ Supertop® Classic Soft Top Sunrider® Complete Soft Top Supertop® for Truck
EZ Fold Hard Tonneau

BESTOP® 3-YEAR/100K MILES LIMITED WARRANTY

Powerboard® & Powerboard® NX
Trekstep®, Side Mount
Trekstep®, Rear Mount

BESTOP® 3-YEAR LIMITED WARRANTY

Pavement Ends Sprint Top

BESTOP® 2-YEAR LIMITED WARRANTY

Trektop® Classic Soft Top
RoughRider™ Soft Storage

BESTOP® 1-YEAR LIMITED WARRANTY

All other Bestop® & Pavement Ends™ products not specified above.

For further information or request for warranty work, please contact:

Bestop Inc. Customer Service
Toll-Free: (800)845-3567
Main: (303)465-1755
E-mail: csbestop@Bestop.com
Website: www.Bestop.com