



INSTALLATION INSTRUCTIONS
VORTEX RUNNING BOARD FOR JEEP GLADIATOR 2020
PART # VO-J479

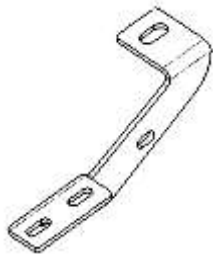
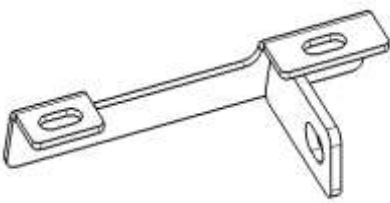

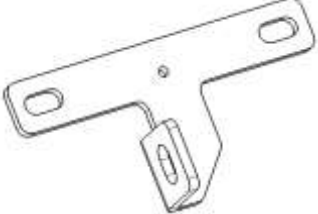
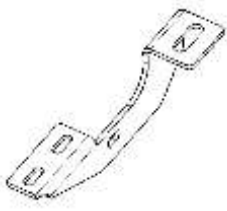
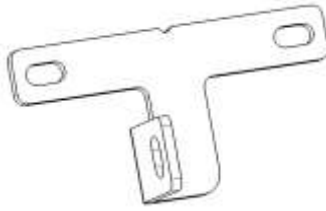
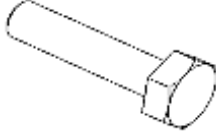
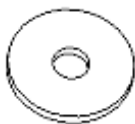
Before Installation


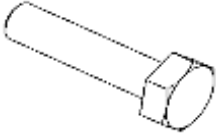
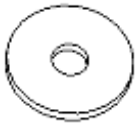

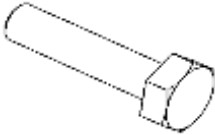
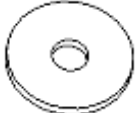

- Please read the instruction completely for easy installation, which will also help you to avoid scratches or other potential damages to your appealing car.
- The information shown here is for reference only and may differ from the product that you receive, however the goods are fitted in the same way.

Care and Cleaning

- Mild soap may be used also to clean the Product.
- Please periodically check and retighten all the hardware and clean the investment for a refresh look.

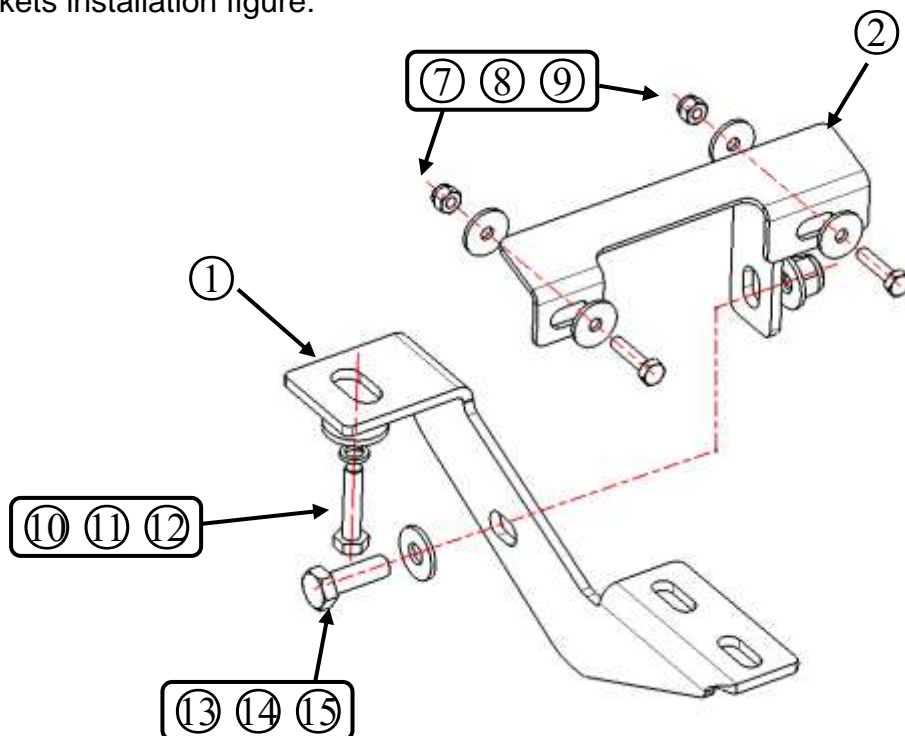
Parts List

NO.	QTY	PICTURE	NO.	QTY	PICTURE
①	2	 Front Bracket (L/R)	②	2	 Front Mounting Bracket (L/R)
③	2	 Middle Bracket (L/R)	④	2	 Middle Mounting Bracket (L/R)
⑤	2	 Rear Bracket (L/R)	⑥	2	 Rear Mounting Bracket (L/R)
⑦	12	 Hex Bolt M6_25	⑧	24	 Flat Washer D6 (6x22x2mm)

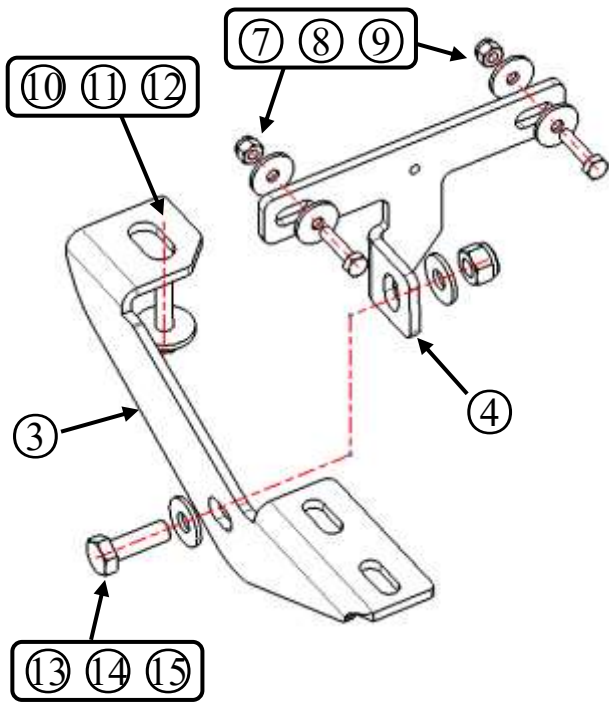
<p>⑨</p> <p>12</p>	 <p>Hex Lock Nut M6</p>	<p>⑩</p> <p>6</p>	 <p>Hex Bolt M8_35</p>
<p>⑪</p> <p>6</p>	 <p>Flat Washer D8 (8x28x3mm)</p>	<p>⑫</p> <p>6</p>	 <p>Spring Washer D8</p>
<p>⑬</p> <p>6</p>	 <p>Hex Bolt M10_30</p>	<p>⑭</p> <p>12</p>	 <p>Flat Washer D10 (10x24x2.2mm)</p>
<p>⑮</p> <p>6</p>	 <p>Hex Lock Nut M10</p>		

Installation Figure:

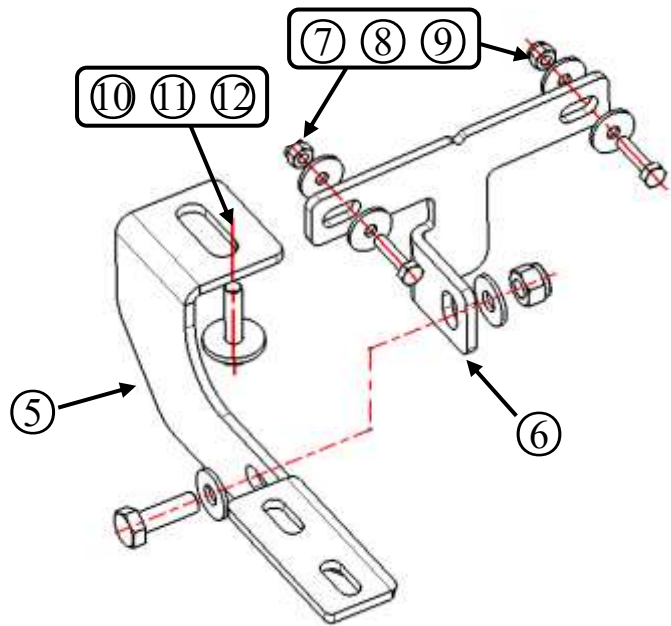
Front brackets installation figure:



Middle brackets installation figure:

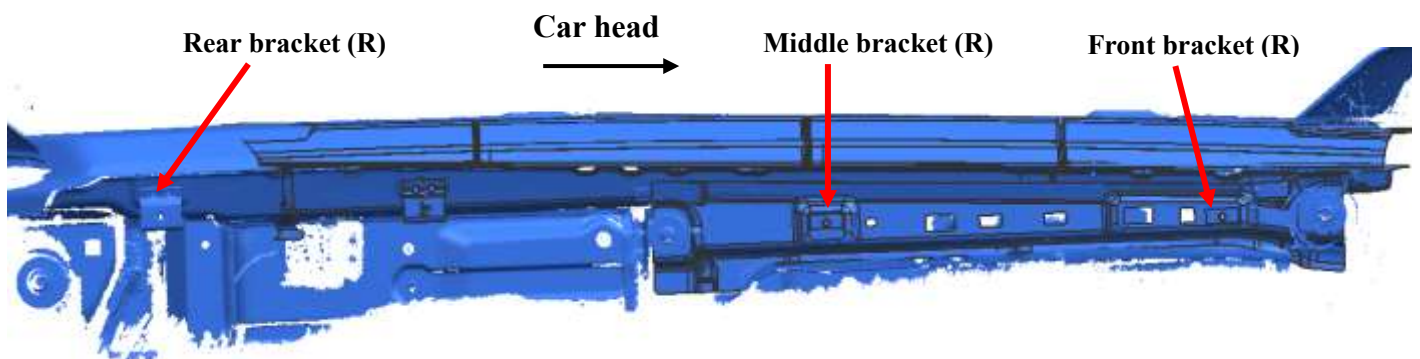


Rear brackets installation figure:



Installation Steps

STEP1: Verify all parts are present.



STEP2: Find the corresponding installation position of brackets in the figure (the picture shows the right side of the car).



STEP3: Fix the brackets with standard parts according to the assembly diagram (standard parts do not need to be locked at this time).



Complete Installation

STEP4: After the running boards are adjusted to the appropriate position, lock all the standard parts. The installation position and manner of the left side brackets are the same as that of the right side.

NOTE

Any damages and losses caused by improper installation and application, goes beyond our quality warranty.