



# SKY RIDGE - 11002&11003

270 Degree Awning  
Shade Wall Kit

## INSTALLATION INSTRUCTIONS



# SKY RIDGE - 11002&11003

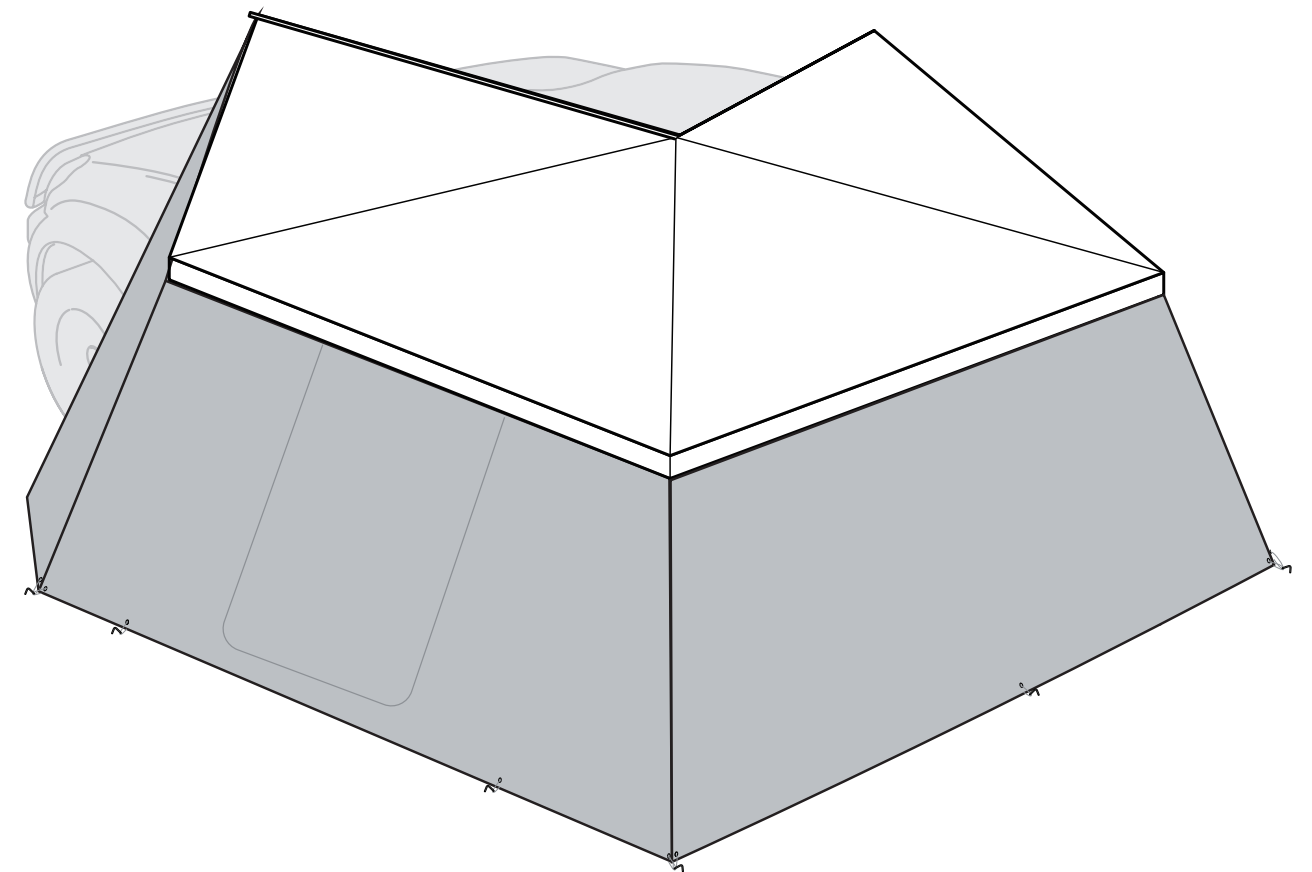
270 Degree Awning  
Shade Wall Kit

## INSTALLATION INSTRUCTIONS



# + 270 DEGREE AWNING SHADE WALL KIT

## Instruction Manual



\* Vehicle, roof racks and awning are not included.

### ⚠ SAFETY WARNINGS

KEEP ALL FLAME AND HEAT SOURCES AWAY FROM THE FABRIC.

UNDER NO CIRCUMSTANCES SHOULD ANY NAKED FLAME SOURCES BE USED NEAR THE AWNING.

KEEP CAMP FIRES AWAY FROM THE AWNING.

KEEP A LOOK OUT FOR ANY AIRBORNE BURNING EMBERS THAT MAY COME INTO CONTACT WITH THE AWNING AND SIDE WALL.

KEEP A FIRE EXTINGUISHER OR WATER BUCKET NEARBY.

DO NOT OPERATE ANY DEVICE WHICH BURNS FUEL INSIDE THE AWNING.

KEEP EXITS CLEAR.

IT IS RECOMMENDED ALL GUY LINES ARE FIXED AND TAUGHT WHEN AWNING IS IN USE.

ENSURE CHILDREN ARE SUPERVISED AROUND THE AWNING AT ALL TIMES. THE AWNING AND SHADE WALLS ARE NOT RECOMMENDED IN GUSTY OR HIGH WINDS.



Before attaching awning walls please check your awning is set up properly and according to the instructions provided. Installation of shade walls is recommended as a two person set up.

### + Get To Know Your Awning Wall Kit

We recommend you check all parts are included prior to first use.

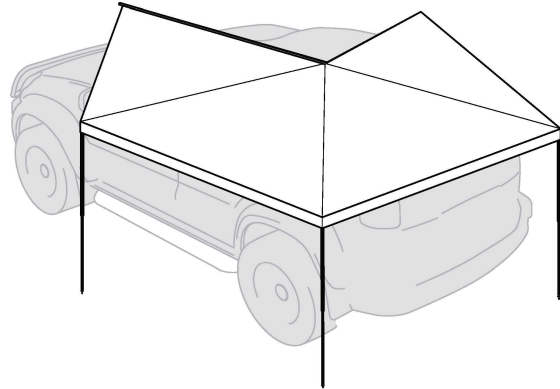
+ 270 Degree Awning Shade Wall Kit

Wall Kit 1 includes: 1 x Side wall with door, 1 x Side wall, 7 x Steel tent stakes, 1 x storage bag;

Wall kit 2 includes: 2 x Side walls, 6 x Steel tent stakes, 1 x Storage bag

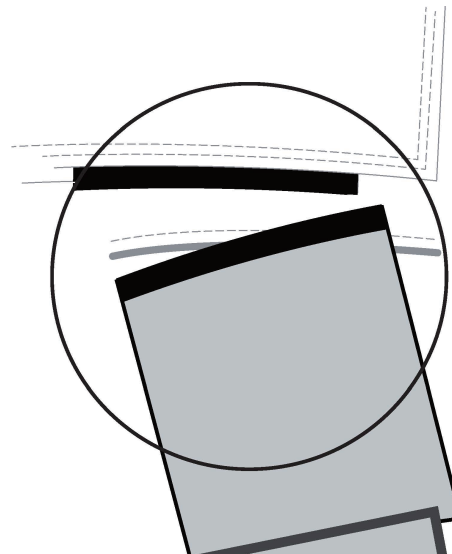
### + Set Up

1



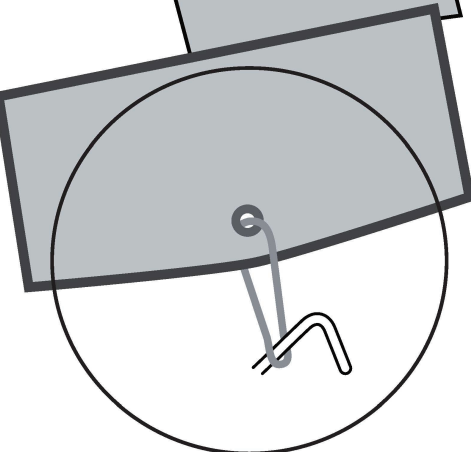
The Shade Walls are labeled W1 and W2. These are only suggestions, each wall will fit on any zipper tract location. Place your door wherever suits you best.

2

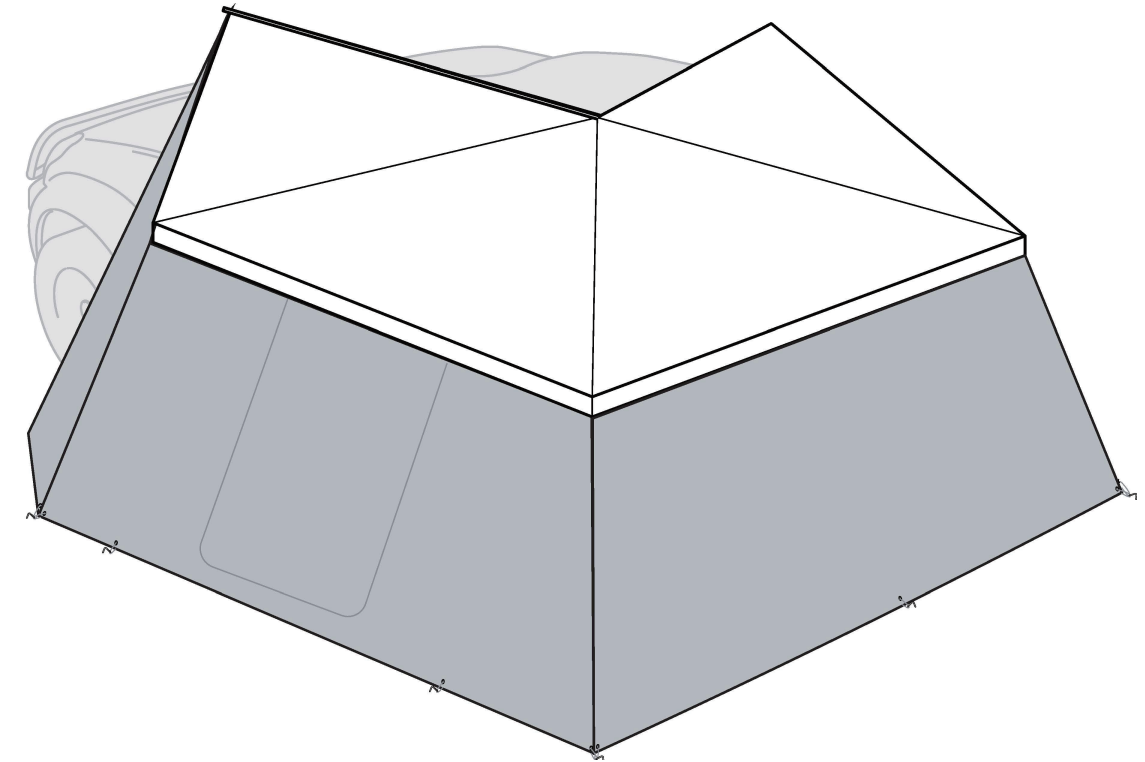


Connect the wall to the awning by using the zippers. Align the starting point of the shade wall zipper to the starting point of the awning zipper. Once aligned, pull the zipper to the other end of the zipper tract. 2 people make this process easier.

3



Anchor the walls to the ground using the supplied tent stakes.



#### Cleaning

Clean with cold water and a soft bristle brush. Do not use soap, detergents, bleach or solvents. Do not expose to petrol, diesel, oils or chemicals of any nature.

#### Storing

Correct storage is vital for the longevity of your awning walls. If on occasion the awning and walls are required to be stowed wet, it is essential it is unpacked and dried as soon as possible. Rot, mildew damage and incorrect storage is not covered under warranty.

#### Structural Integrity

The 270 Degree Awning has been designed for general camping use under normal conditions. Always ensure all guy lines are anchored correctly. It may be necessary to re-adjust guy lines and tent stakes at times to maintain the structural integrity of the awning.



ALWAYS STAKE DOWN AND SECURE YOUR AWNING AND ENSURE SHADE WALLS SECURED WITH GUY LINES. IT'S CRUCIAL TO DO THIS ANY TIME YOU HAVE THE AWNING UP TO MINIMIZE THE IMPACT OF UNEXPECTED WIND GUSTS. DO NOT USE IN GUSTY, HIGH WINDS, HEAVY RAINS, HEAVY SNOW, OR ANY EXTREME WEATHER CONDITIONS. WIND AND RAIN CAN DAMAGE THE AWNING AND SHADE WALLS AND MAY ALSO RESULT IN INJURY TO YOU OR OTHERS. PLEASE TAKE A MINUTE TO TAKE DOWN THE AWNING AND SHADE WALLS BEFORE EXTREME WEATHER EVENTS.

#### Using The Optional Walls

The awning walls will provide a sheltered/protected area around the awning. When attached to the awning, they are designed to create a shaded area and help reduce dust.



THE AWNING AND SHADE WALLS ARE DESIGNED AS A TEMPORARY SHELTER, NOT A PERMANENT STRUCTURE. DO NOT LEAVE UP FOR EXTENDED PERIODS AND DO NOT LEAVE UNATTENDED.