



# Stealthbox®

INSTALLATION GUIDE  
for the

**SBA-J-JL-FHB**  
**SKU# 99838**  
**2018-Up Jeep Wrangler (JL)**

**Fuse Holder Bracket**

### ! IMPORTANT

If you choose to perform the installation yourself, it is absolutely vital that the Stealthbox® be properly mounted to the vehicle according to these instructions. Failure to mount the enclosure properly presents two problems:

- 1) The sub-bass performance will suffer due to the movement of the enclosure caused by the force exerted by the woofer(s).
- 2) A loose enclosure presents a serious safety hazard in the event of a collision or sudden deceleration.

INSTALLATION  
DIFFICULTY:

**1** OUT OF **5**

ESTIMATED TIME:  
1 HOUR

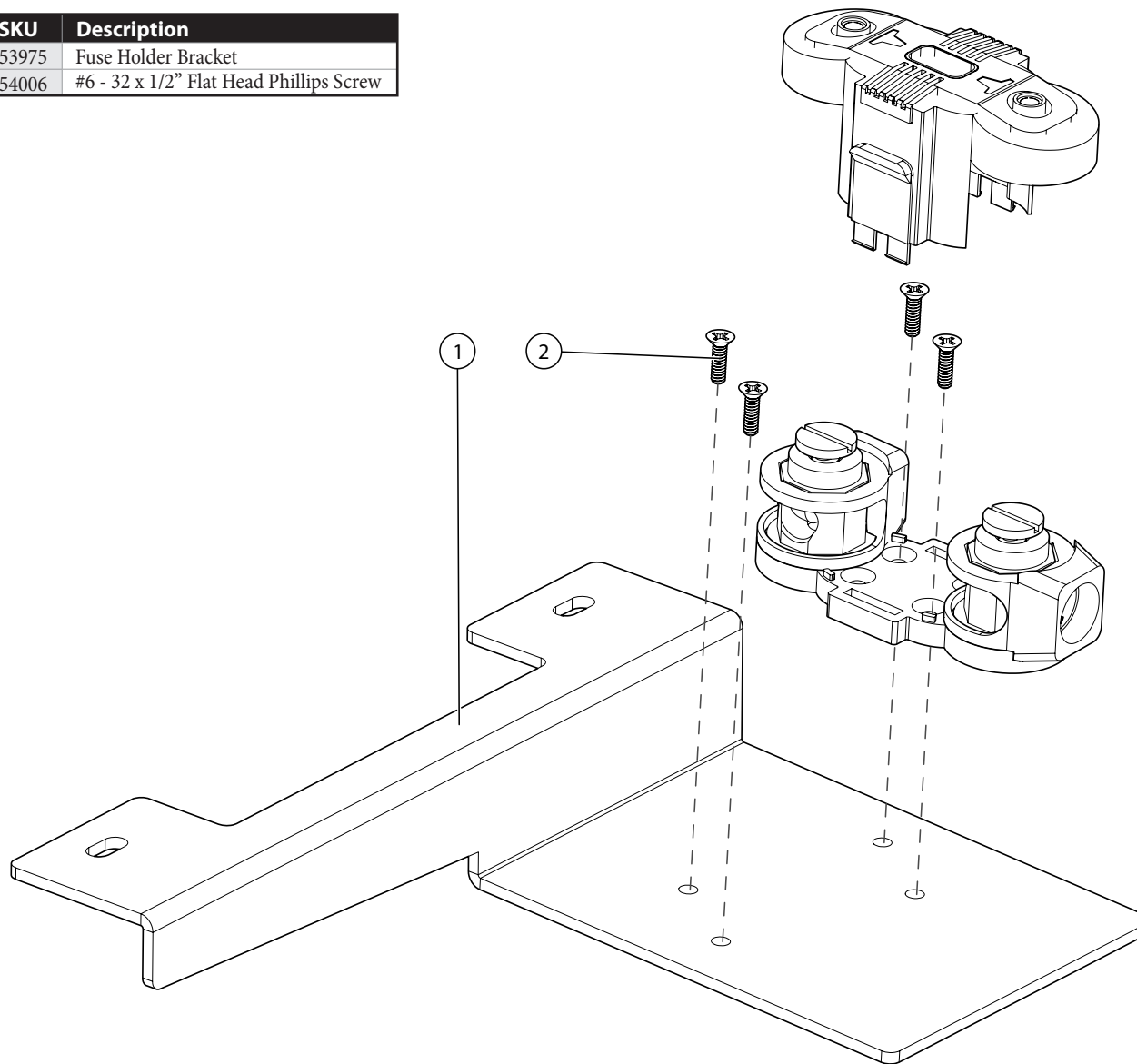


*Thank you for choosing a JL Audio Stealthbox® for your automotive sound system. With proper installation, your new vehicle-specific enclosed subwoofer system will deliver years of listening pleasure.*

*We strongly recommend that you have your new Stealthbox® installed by your authorized JL Audio dealer. The installation professionals employed by your dealer have the necessary tools and experience to disassemble and reassemble your vehicle properly. If you prefer to perform your own installation, please read this installation guide completely before beginning the process.*

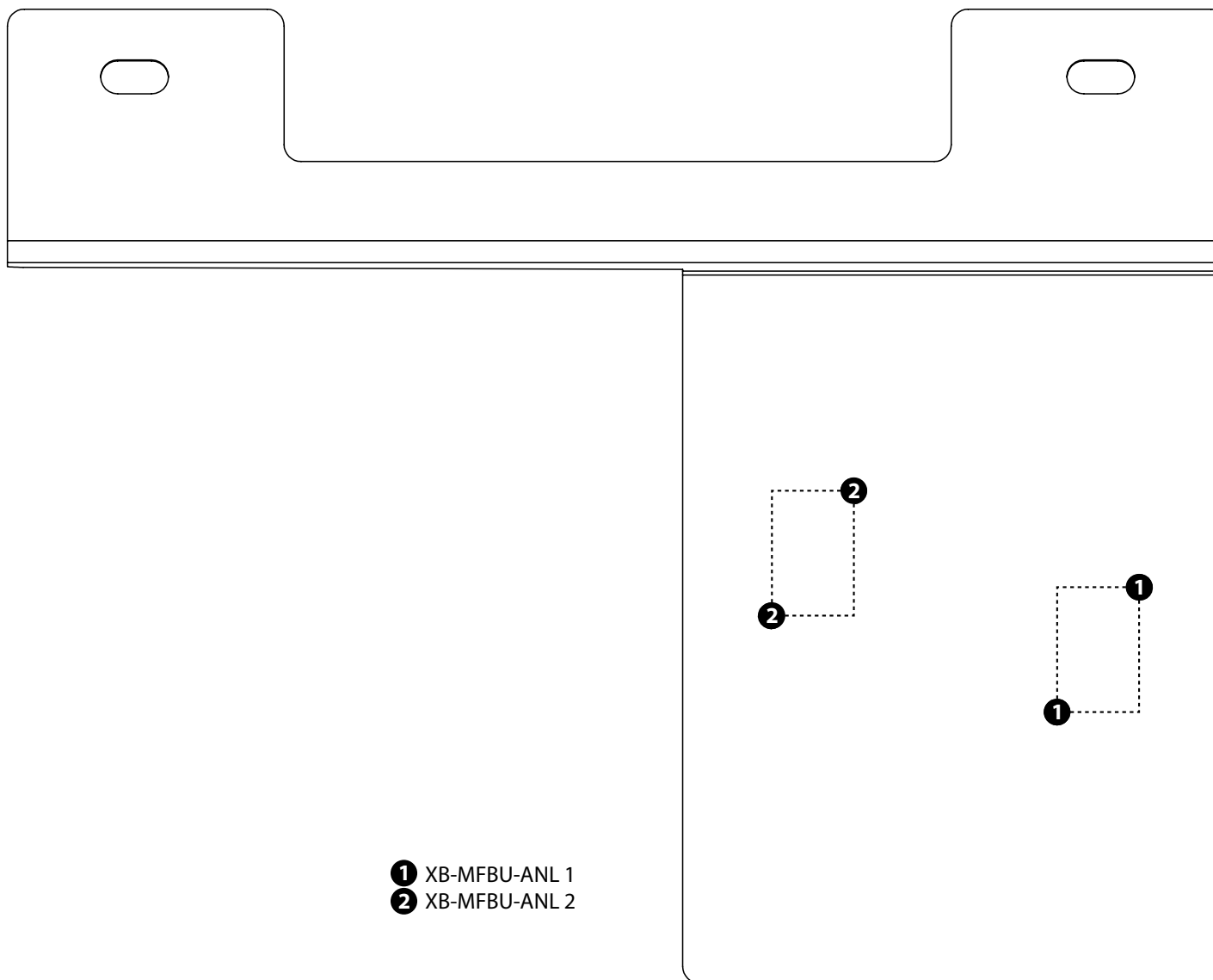
**INCLUDED HARDWARE**

BOM ID	Qty	SKU	Description
1	1	153975	Fuse Holder Bracket
2	4	154006	#6 - 32 x 1/2" Flat Head Phillips Screw



## FUSE BLOCK MOUNTING TEMPLATE

The SBA-J-JL-FHB Fuse Holder Bracket is designed to accommodate two JL Audio XB-MFBU-ANL Master ANL Fuse Blocks (sold separately). Use the illustration and table below to determine the mounting hole use:



**STEP 1**

**NOTE: The XB-MFBU-ANL Master ANL Fuse Block has adjustments for different wire-entry angles. The following steps show one orientation example using a single fuse block, but the installation process is the same for alternate orientations and/or two fuse blocks.**

Remove one of the screw covers from the underside of the XB-MFBU-ANL Master ANL Fuse Block.

**STEP 2**

Using a Phillips head screwdriver, remove the exposed screw.

**STEP 3**

Flip the Master ANL Fuse Block over. Lift off the wire receptacle, rotate it 90 degrees, and reinstall, as shown.

Reinstall the screw and screw cover.

**STEP 4**

Align the mounting holes in the Master ANL Fuse Block with the holes in the Fuse Holder Bracket, as shown, and secure it using two #6 - 32 x 1/2" Flat Head Phillips Screws.

Repeat these steps for a second Master ANL Fuse Block, if necessary.

**STEP 5**

Locate and remove the two indicated factory nuts from the firewall on the passenger side.

**STEP 6**

Align the slots in the Fuse Holder Bracket with the factory studs, and secure the bracket using the factory nuts.

Connect and power cable to the Master ANL Fuse Block, and route the cable as necessary.

**CONGRATULATIONS!**

You have completed the installation for this model! Enjoy your new Stealthbox® Accessory!

**JL AUDIO** | How we play.®    

(954) 443-1100

[www.jlaudio.com](http://www.jlaudio.com)

All specifications are subject to change without notice. "JL Audio" and "How we play" are registered trademarks of JL Audio, Inc. "Ahead of the Curve" and its respective logo are trademarks of JL Audio, Inc.  
Printed in USA • ©2019 JL Audio, Inc. • For more detailed information please visit us online at [www.jlaudio.com](http://www.jlaudio.com).

JLA-SKU# 011517 • ver. 01.28.2019 • 10369 NORTH COMMERCE PARKWAY • MIRAMAR, FLORIDA • 33025 • USA



\*011517\*