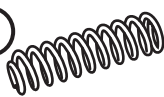

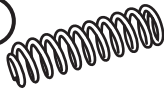



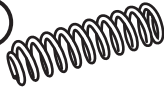



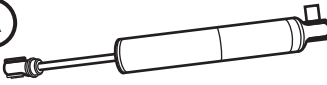





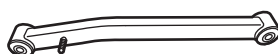









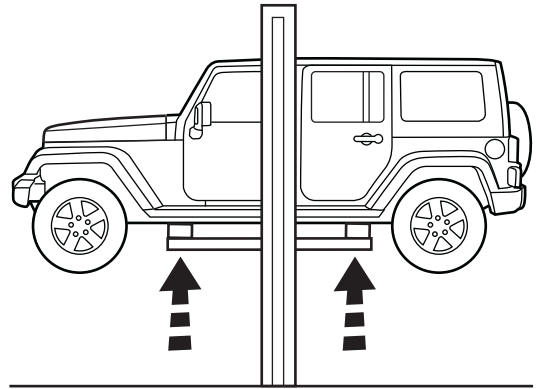
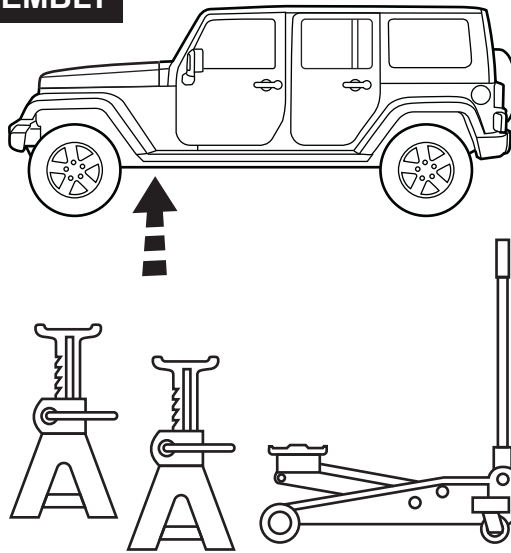
**PART REFERENCE**

LIFT KIT:

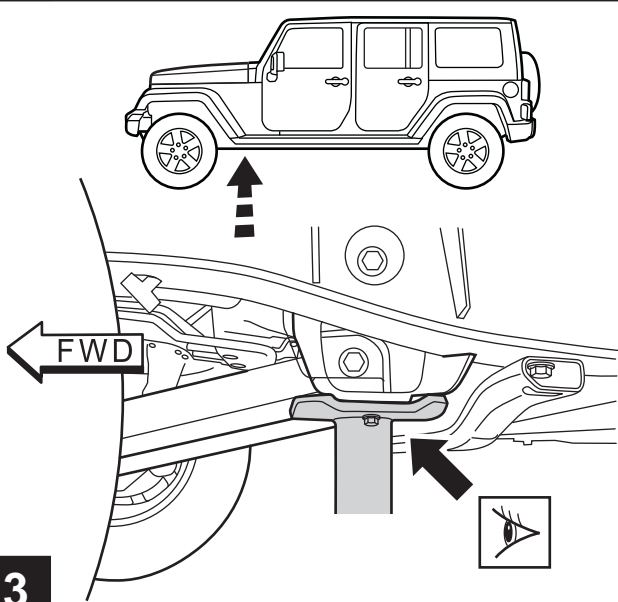
| DESCRIPTION  | PART NO.   | 3.6L       | 2.0L       | 3.6L       | 2.0L       | 3.0L       |
|--|------------|------------|------------|------------|------------|------------|
|  |            | 4 DOOR     |            | 2 DOOR     |            | 4 DOOR     |
|  |            | 77072395AB | 77072430AB | 77072396AB | 77072397AB | 77072399AB |
| <b>E</b>   | 68414065AA | 1 - LF     |            |            |            |            |
|  | 68414069AA |            |            | 1 - LF     |            |            |
| <b>F</b>   | 68414067AA | 1 - RF     |            |            |            |            |
|  | 68414071AA |            |            | 1 - RF     |            |            |
| <b>E</b>   | 68414066AA | 1 - LR     | 1 - LR     |            |            |            |
|  | 68414070AA |            |            | 1 - LR     | 1 - LR     |            |
| <b>F</b>   | 68414068AA | 1 - RR     | 1 - RR     |            |            |            |
|  | 68414072AA |            |            | 1 - RR     | 1 - RR     |            |
| <b>E</b>    | 68414067AA |            | 2          |            |            |            |
|  | 68414069AA |            |            |            | 2          |            |
|  | 68414073AA |            |            |            |            | 2          |
| <b>F</b>    | 68414074AA |            |            |            |            | 2          |
| <b>A</b>    | 68316572AA | 2          | 2          |            |            |            |
|  | 68316570AA |            |            | 2          | 2          |            |
|  | 68316574AA |            |            |            |            | 2          |
| <b>B</b>   | 68316582AA | 2          | 2          |            |            |            |
|  | 68316580AA |            |            | 2          | 2          |            |
|  | 68316584AA |            |            |            |            | 2          |
| <b>C</b>    | 68306981AA | 2          | 2          | 2          | 2          | 2          |
| <b>D</b>    | 68306982AA | 2          | 2          | 2          | 2          | 2          |
| <b>I</b>    | 68316587AA | 2          | 2          | 2          | 2          | 2          |
| <b>J</b>    | 68323933AA | 2          | 2          | 2          | 2          | 2          |
| <b>H</b>    | 68322798AA | 2          | 2          | 2          | 2          | 2          |
| <b>L</b>    | 6101695    | 6          | 6          | 6          | 6          | 6          |
| <b>K</b>    | 05143356AC | 4          | 4          | 4          | 4          | 4          |
| <b>G</b>    | 82215764   | 1          | 1          | 1          | 1          | 1          |
| <b>M</b>    | 68342245AB | 1          | 1          | 1          | 1          | 1          |
| <b>N</b>    | 68342250AB | 1          | 1          | 1          | 1          | 1          |

### FRONT DISASSEMBLY

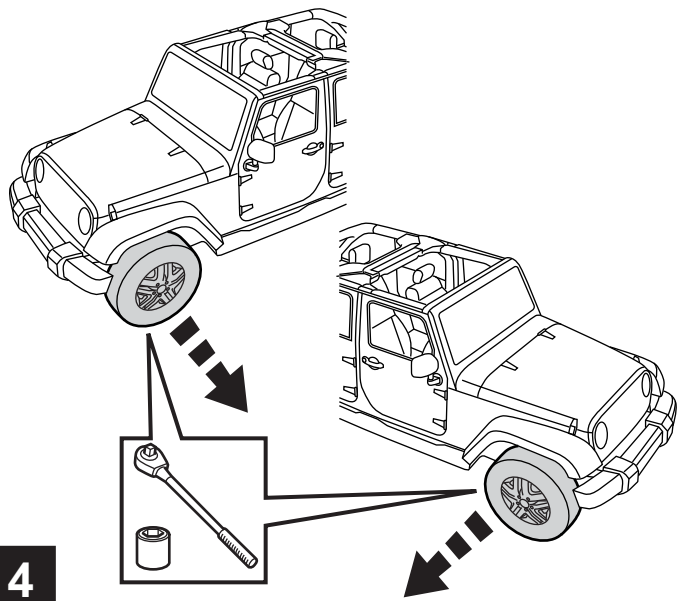
P  
R  
N  
D



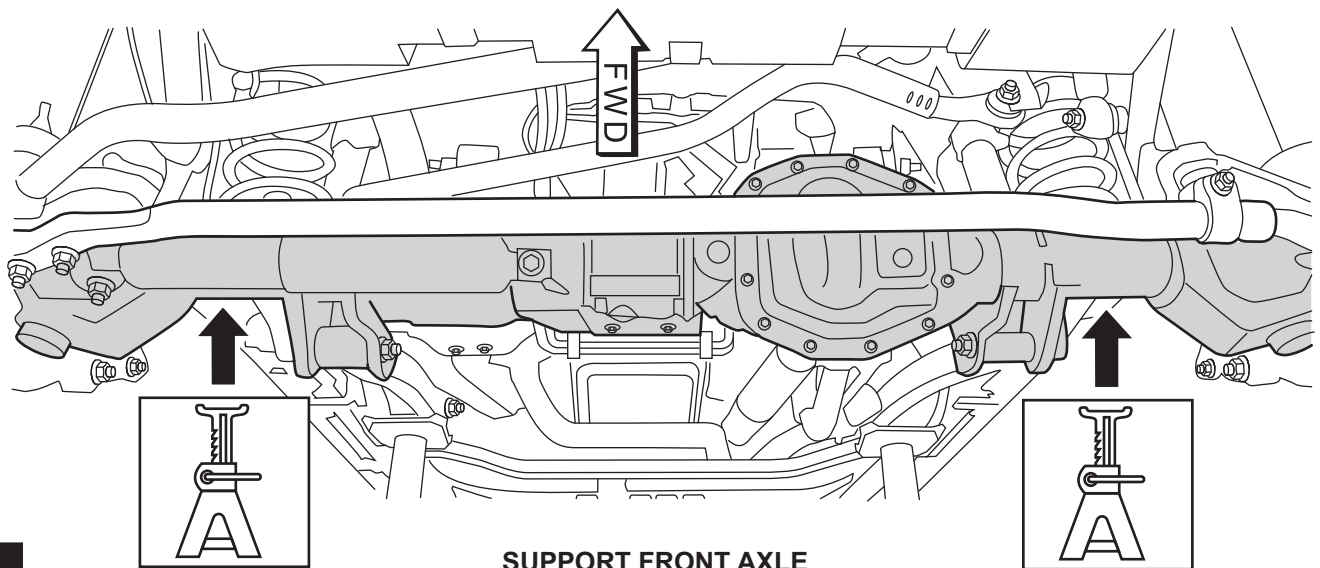
2



3

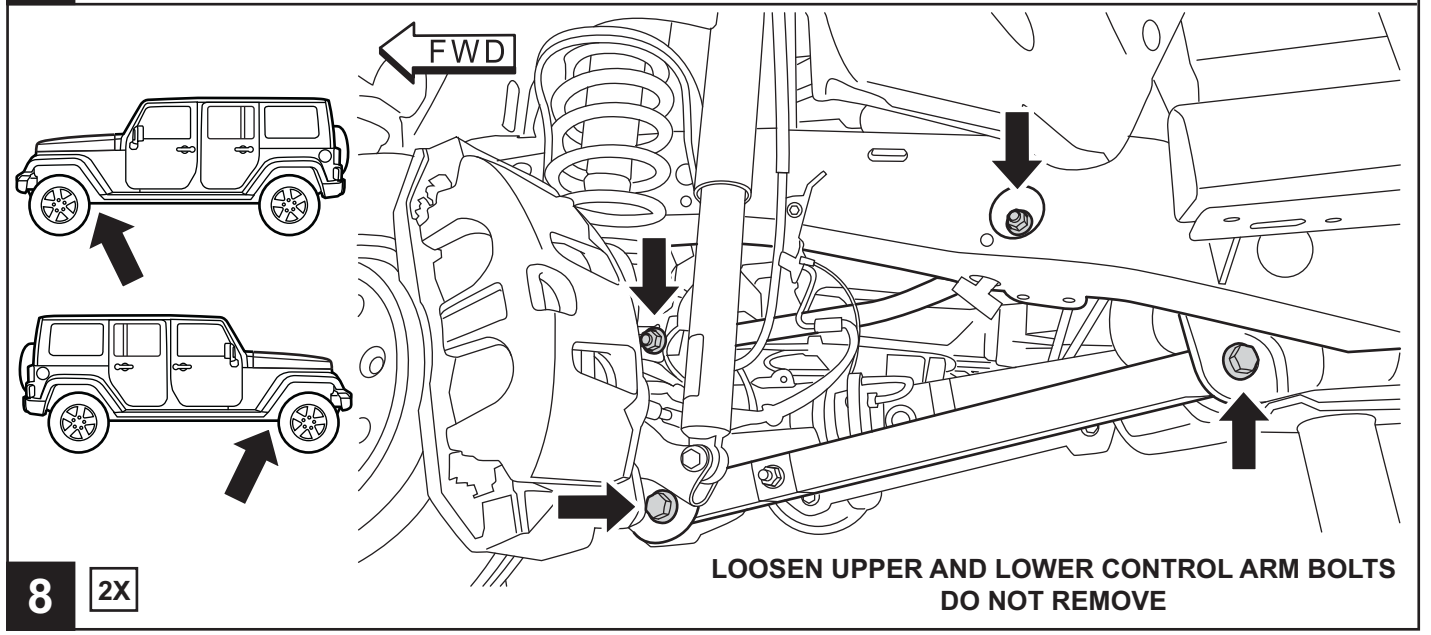
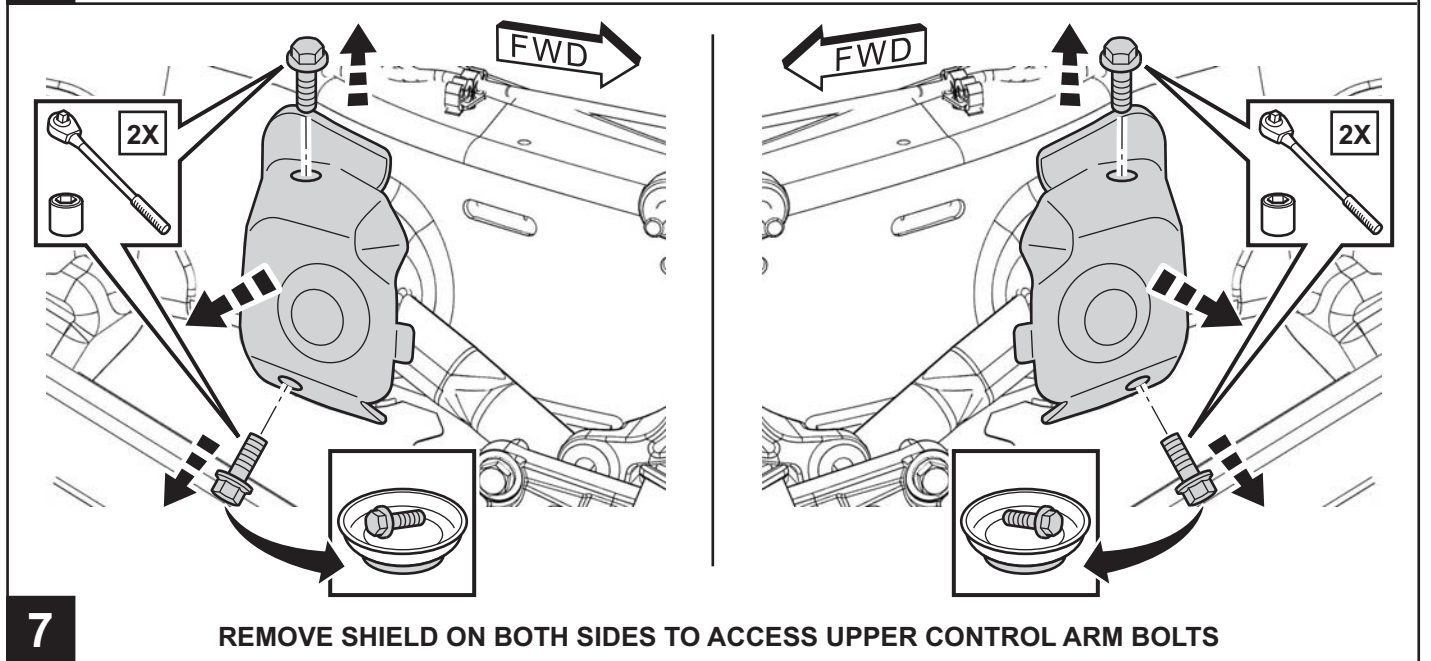
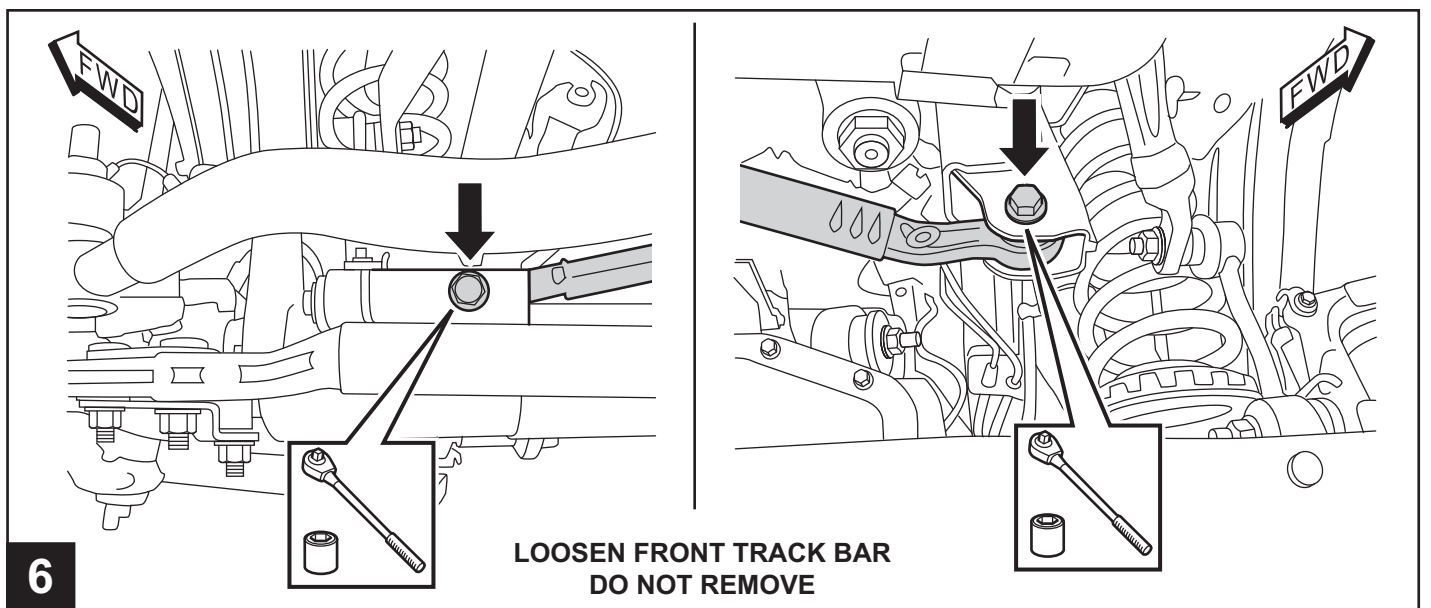


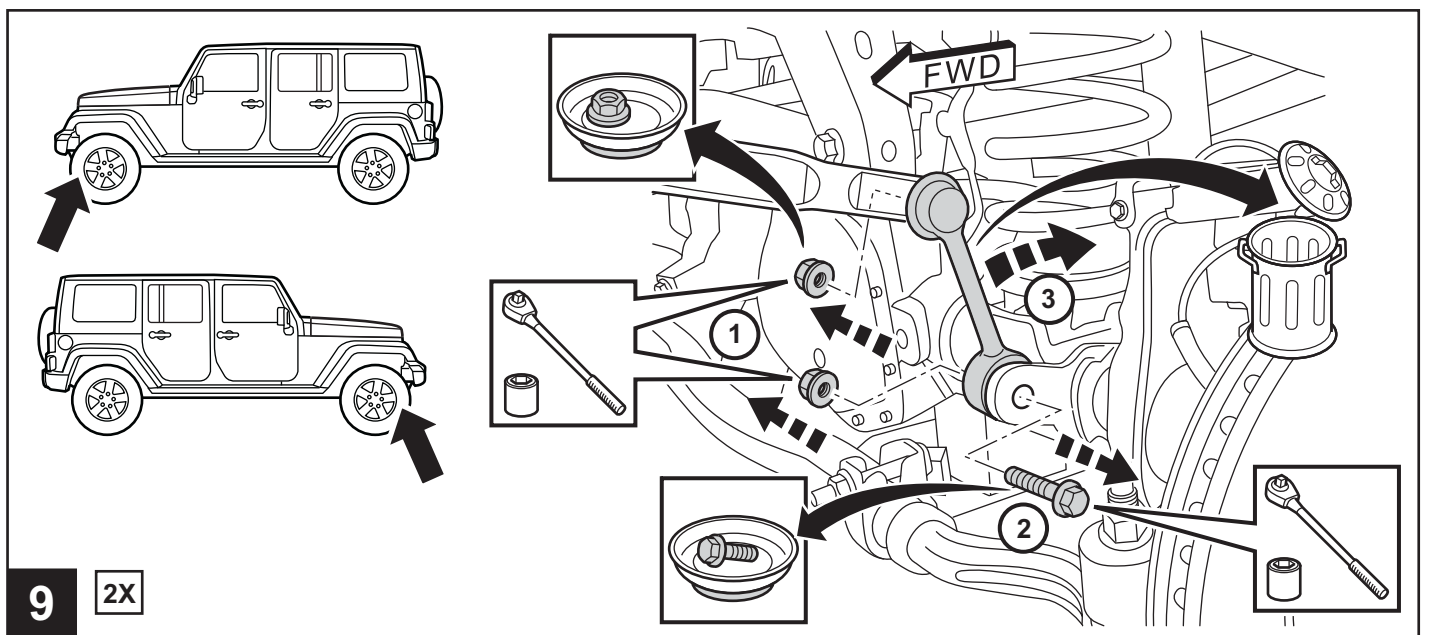
4



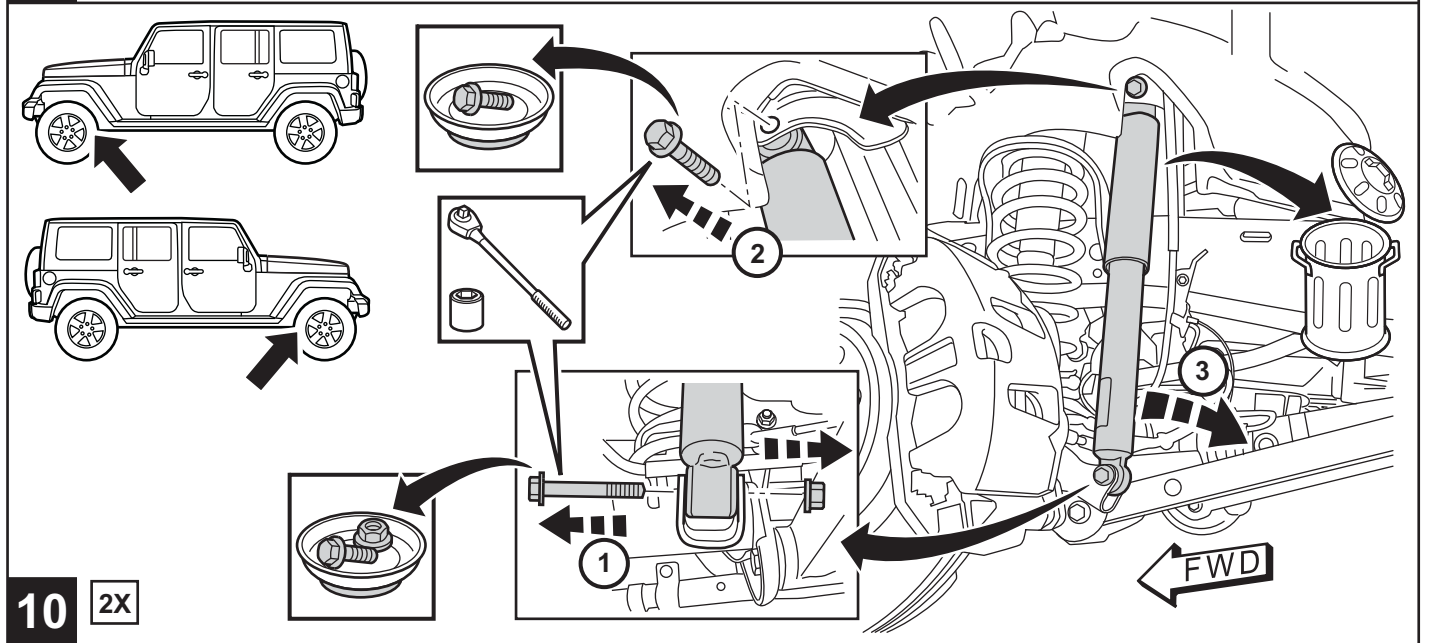
5

SUPPORT FRONT AXLE

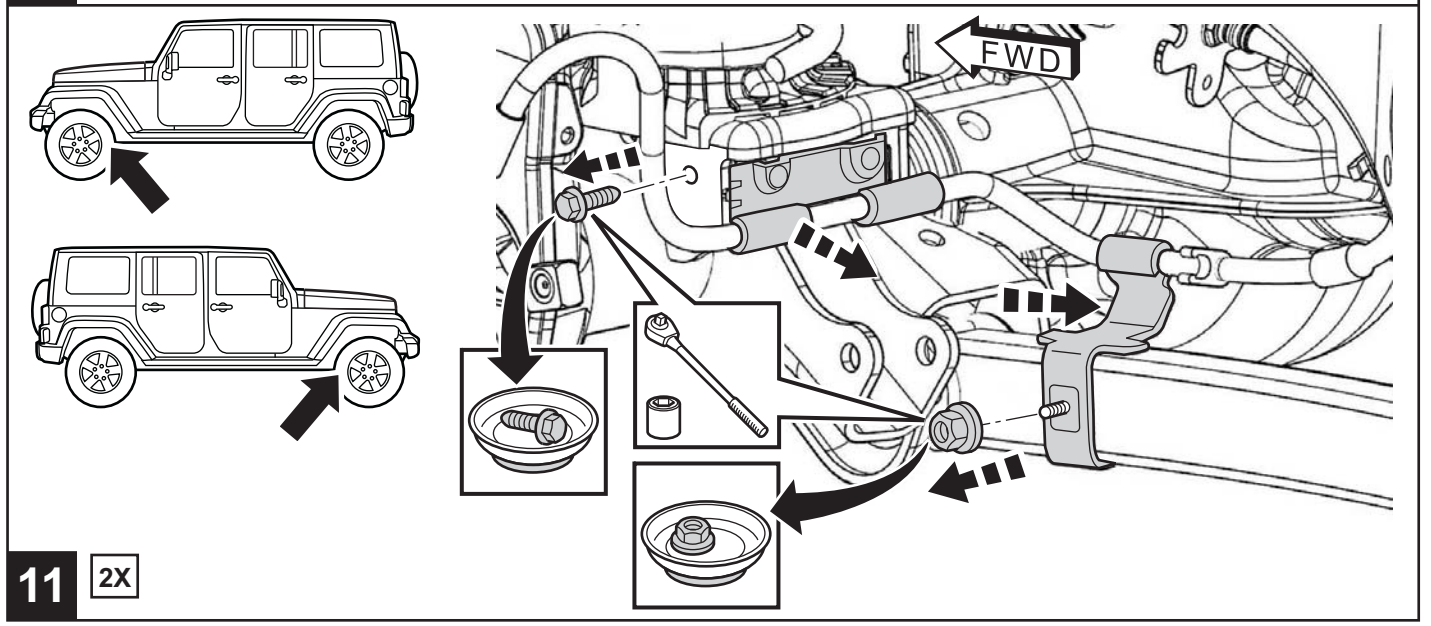




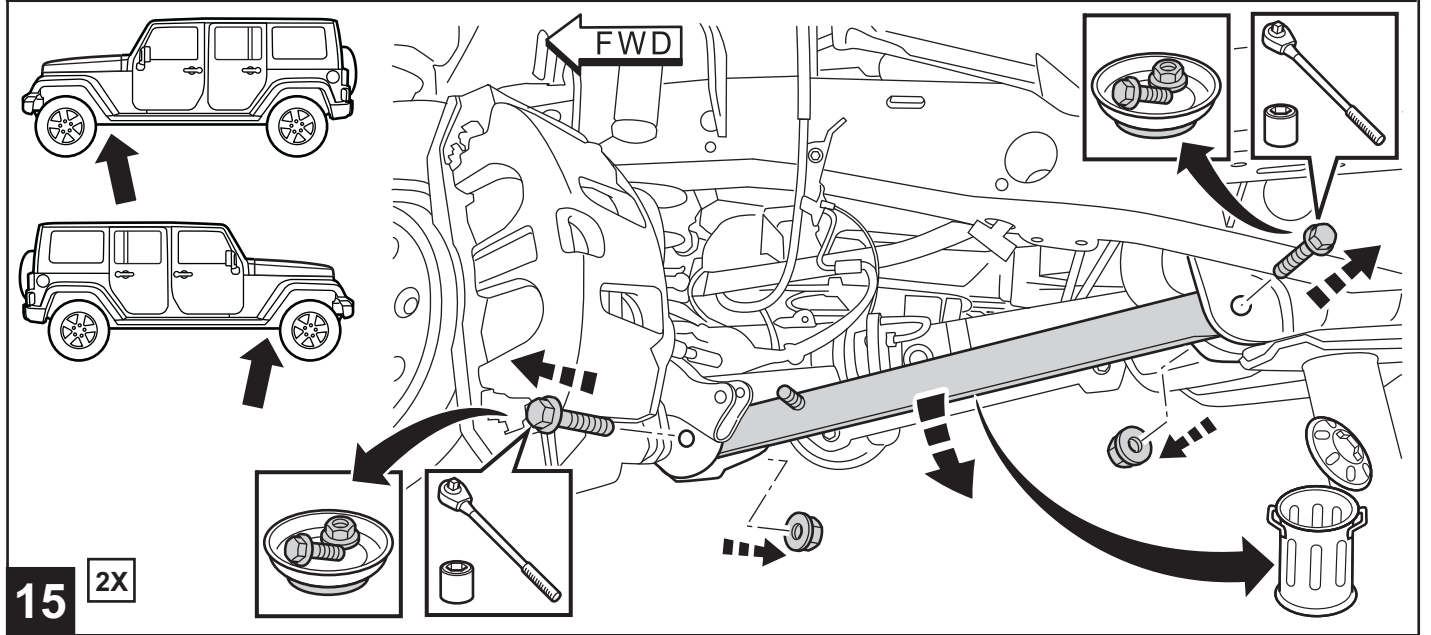
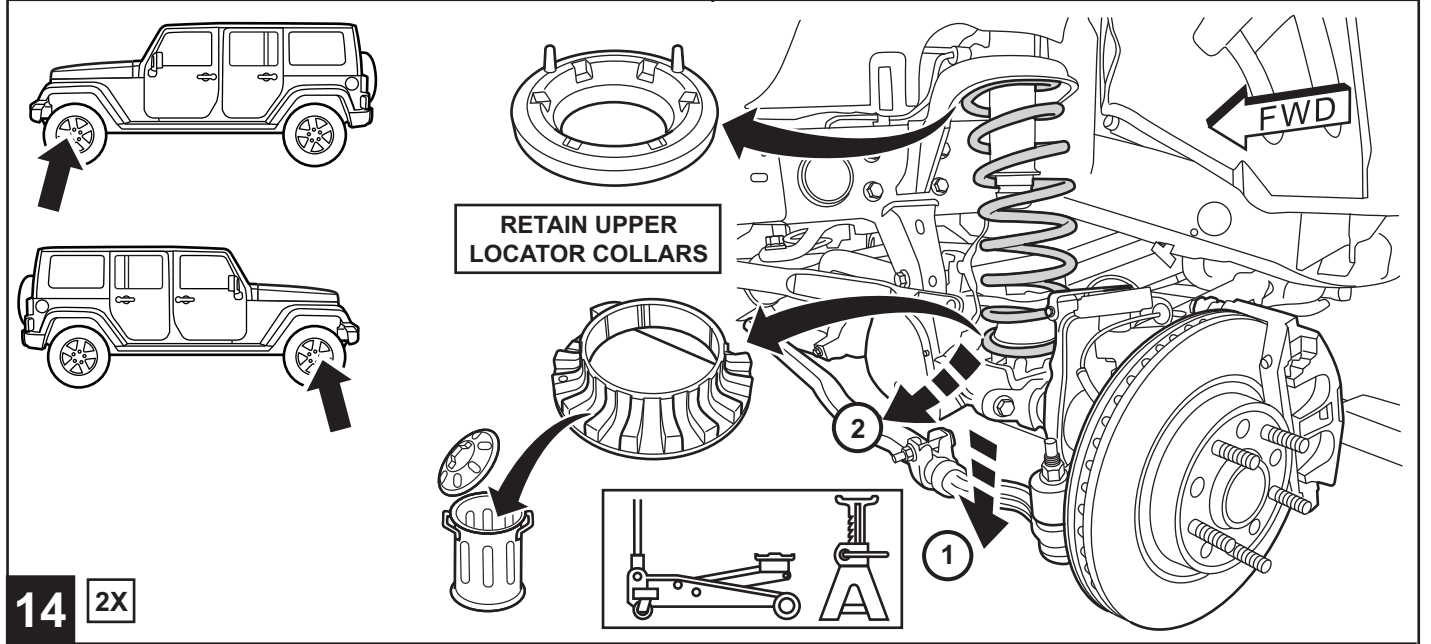
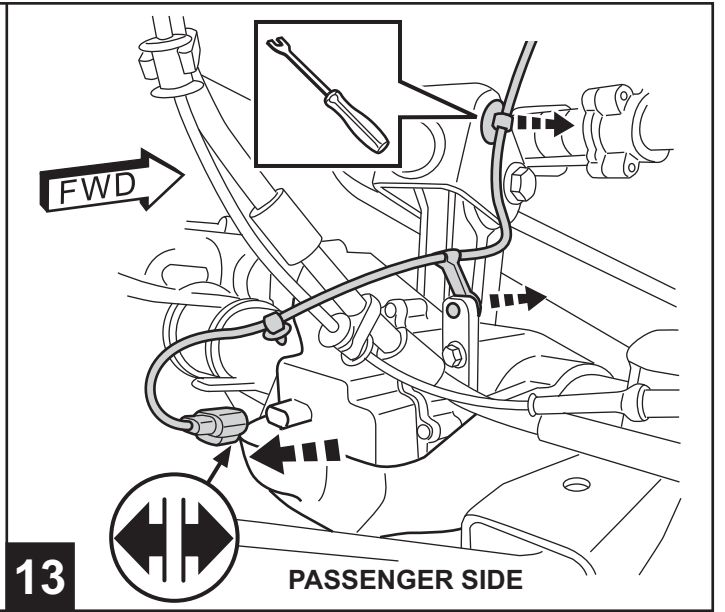
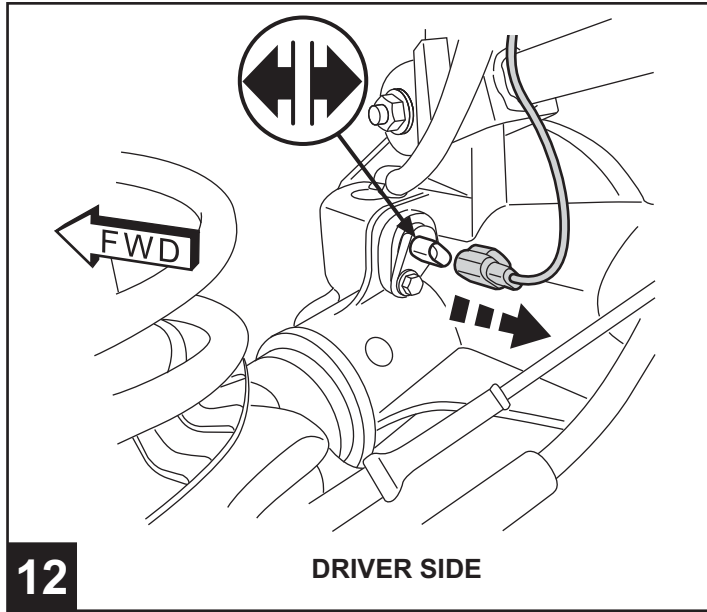
9 2X



10 2X



11 2X

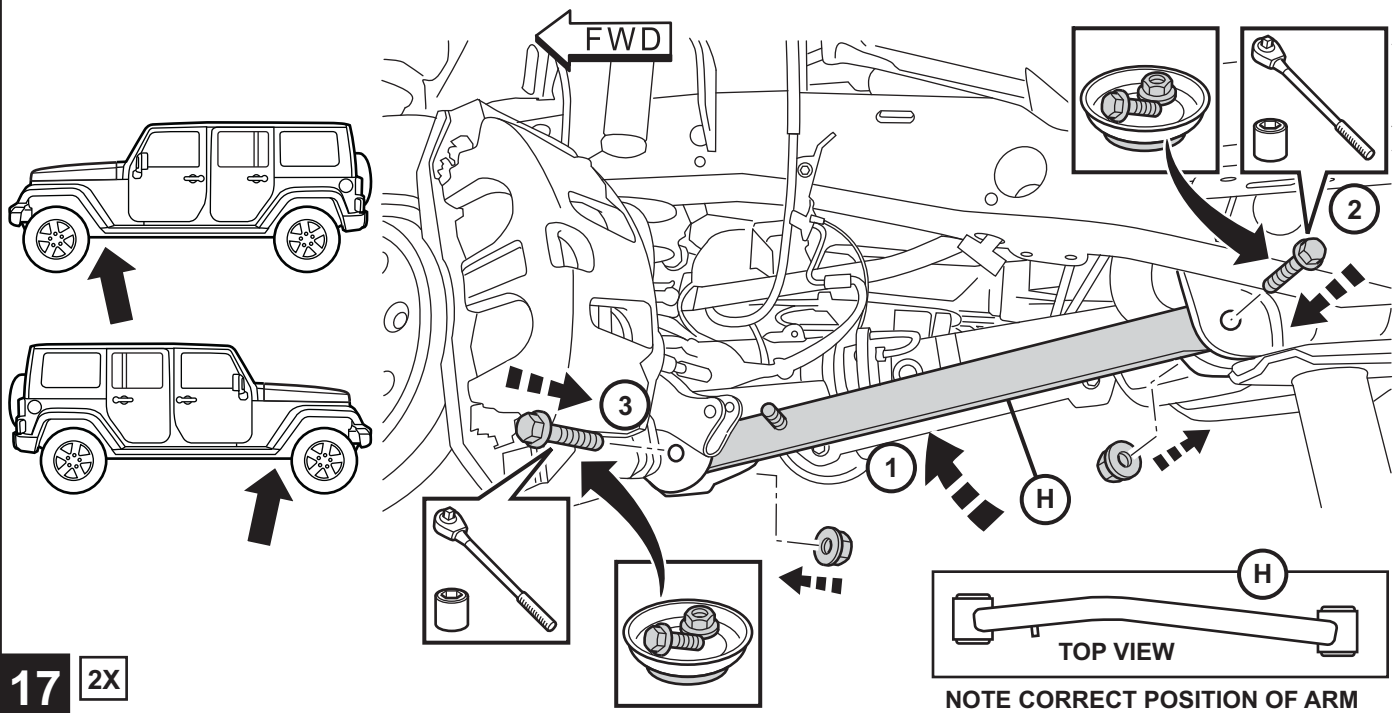


**FRONT ASSEMBLY**

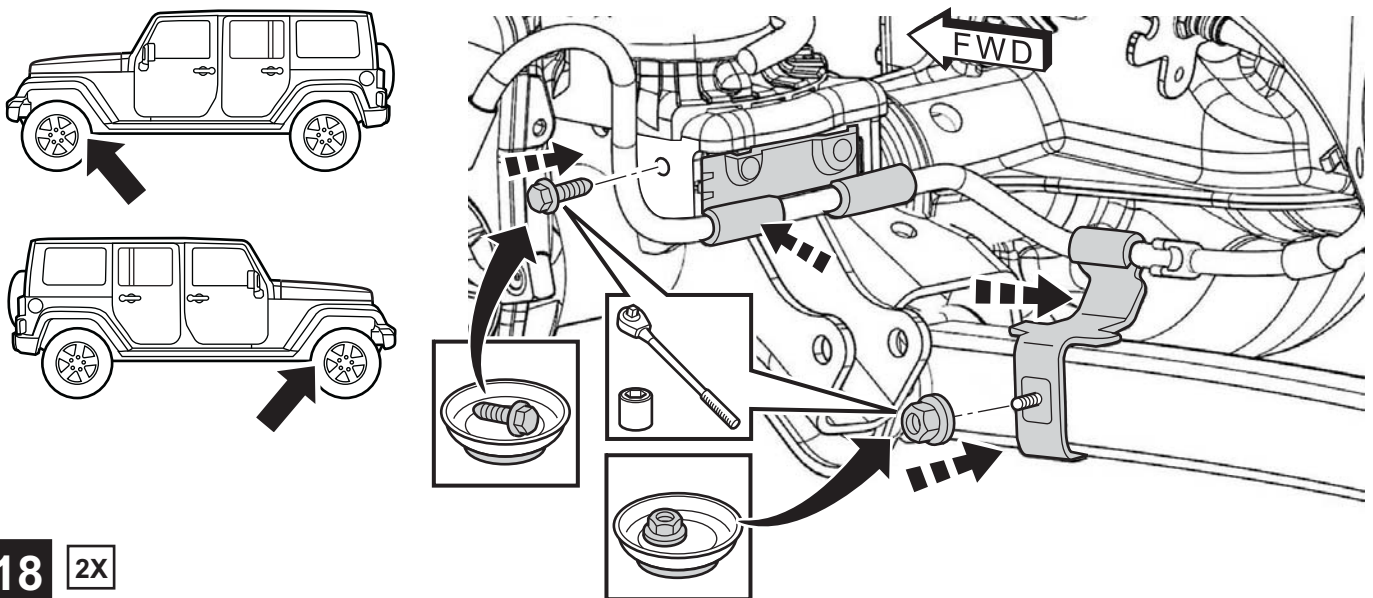
**NOTE:**

**INSTALL NEW KIT COMPONENTS AS SHOWN IN THE FOLLOWING STEPS, BUT DO NOT FULLY TIGHTEN FASTENERS UNTIL INSTRUCTED TO DO SO.**

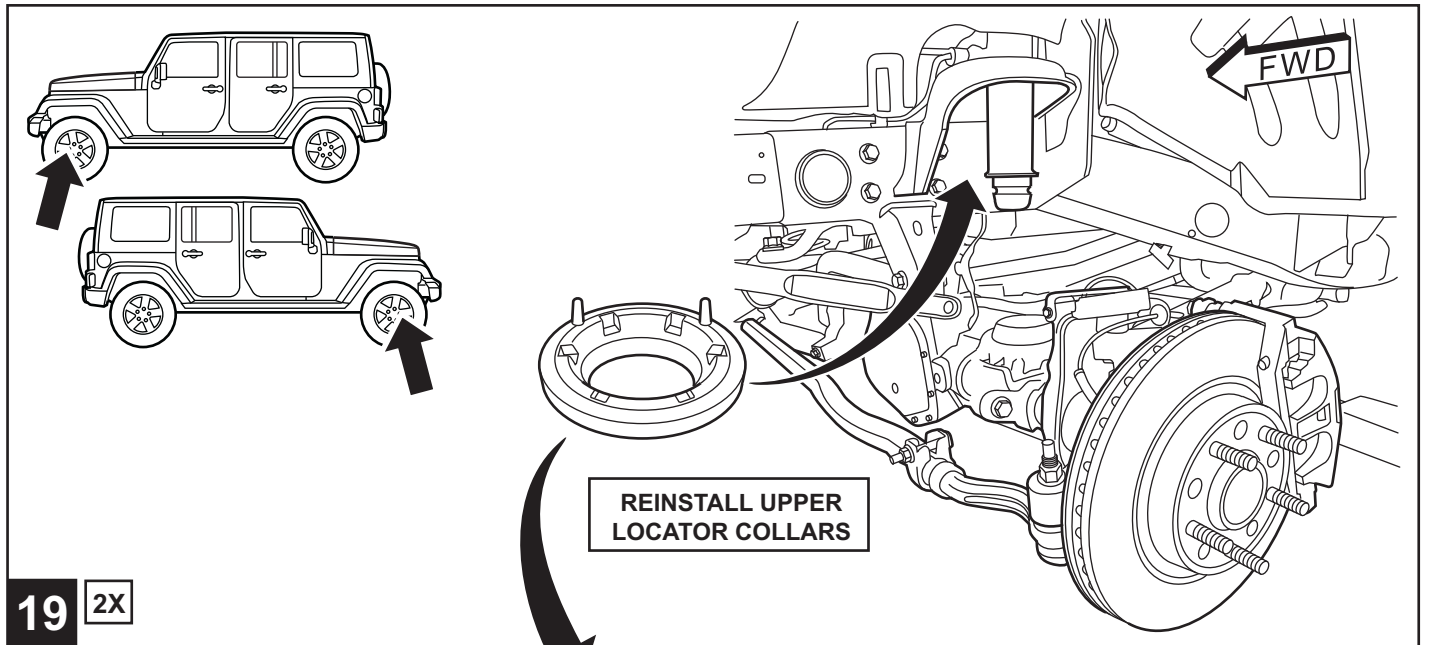
**16**



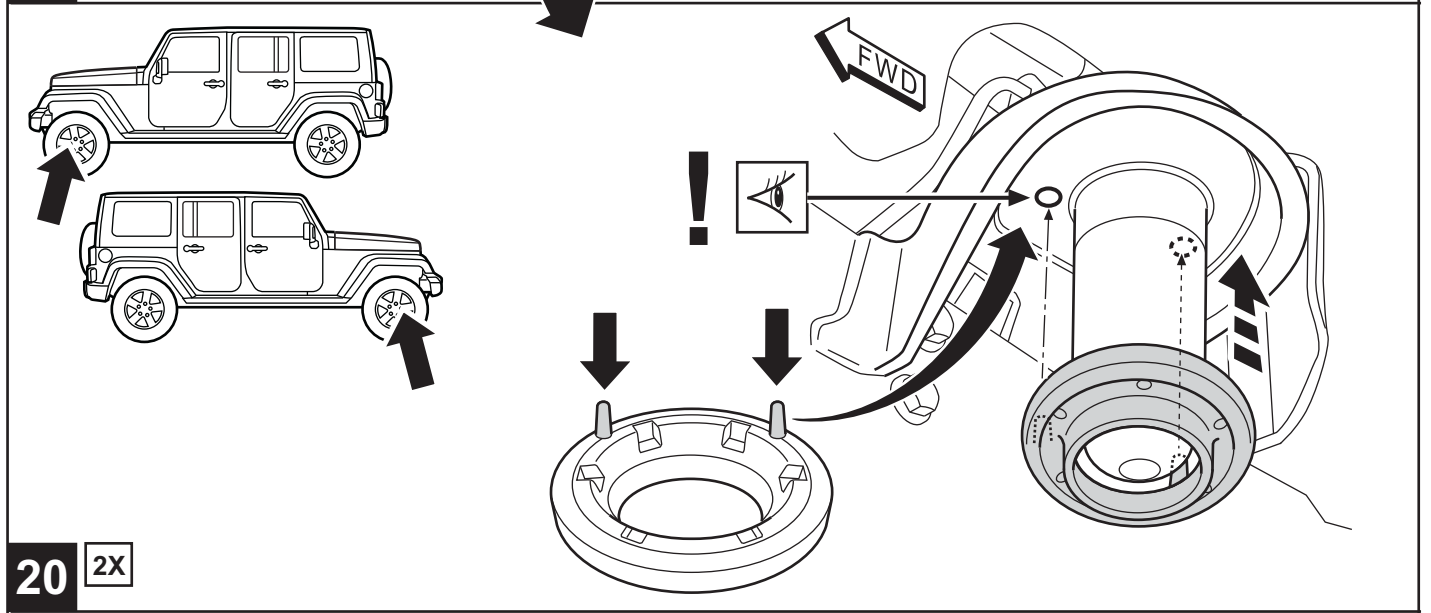
**17** 2X



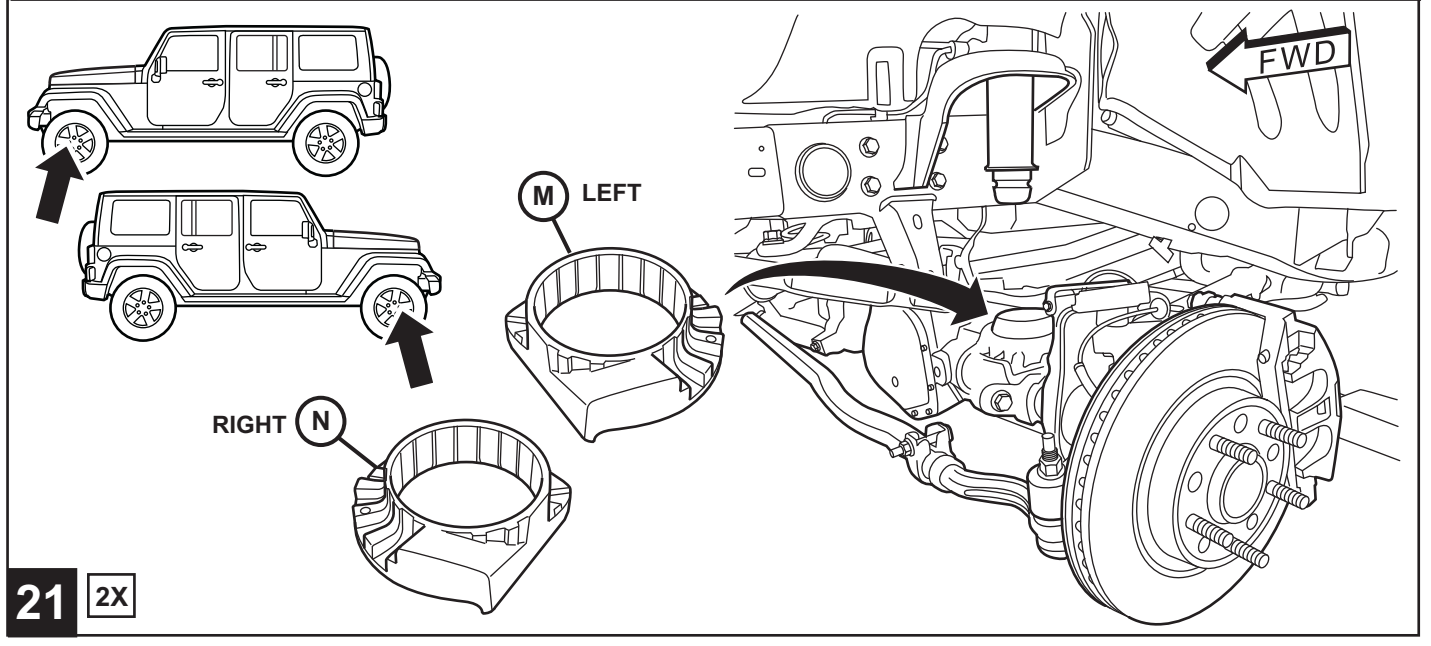
**18** 2X



19 2X

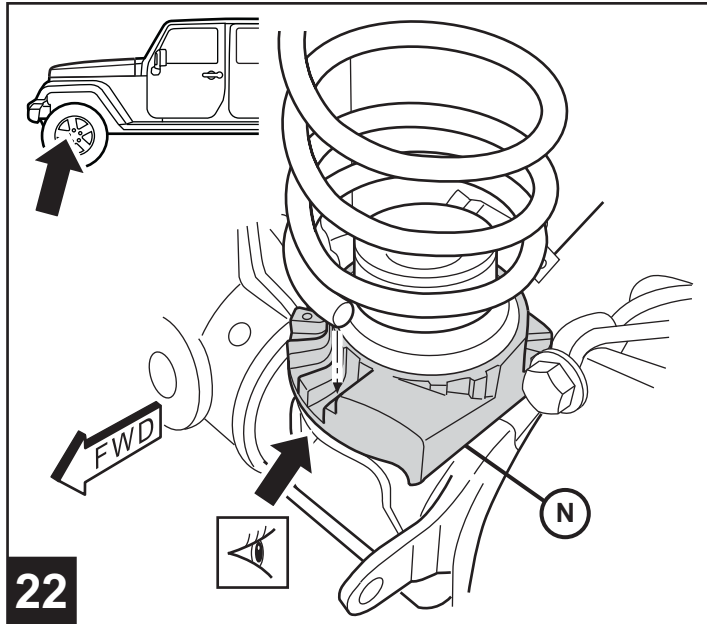


20 2X

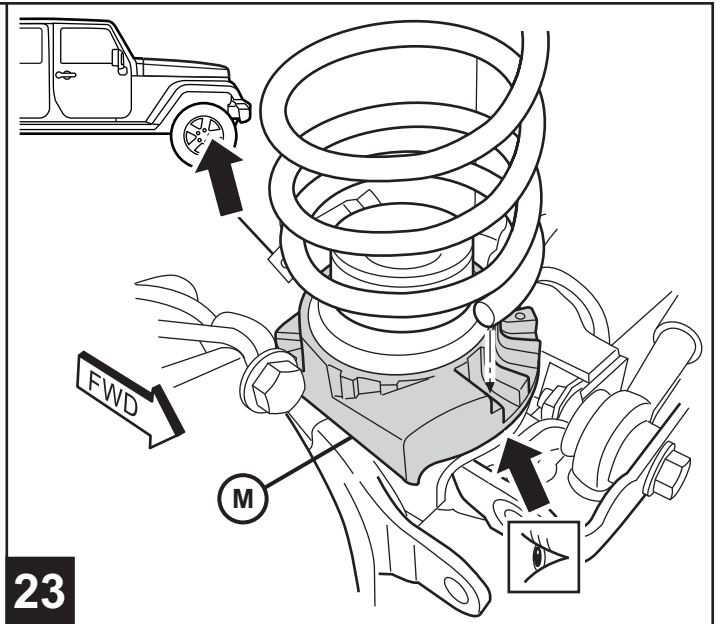


21 2X

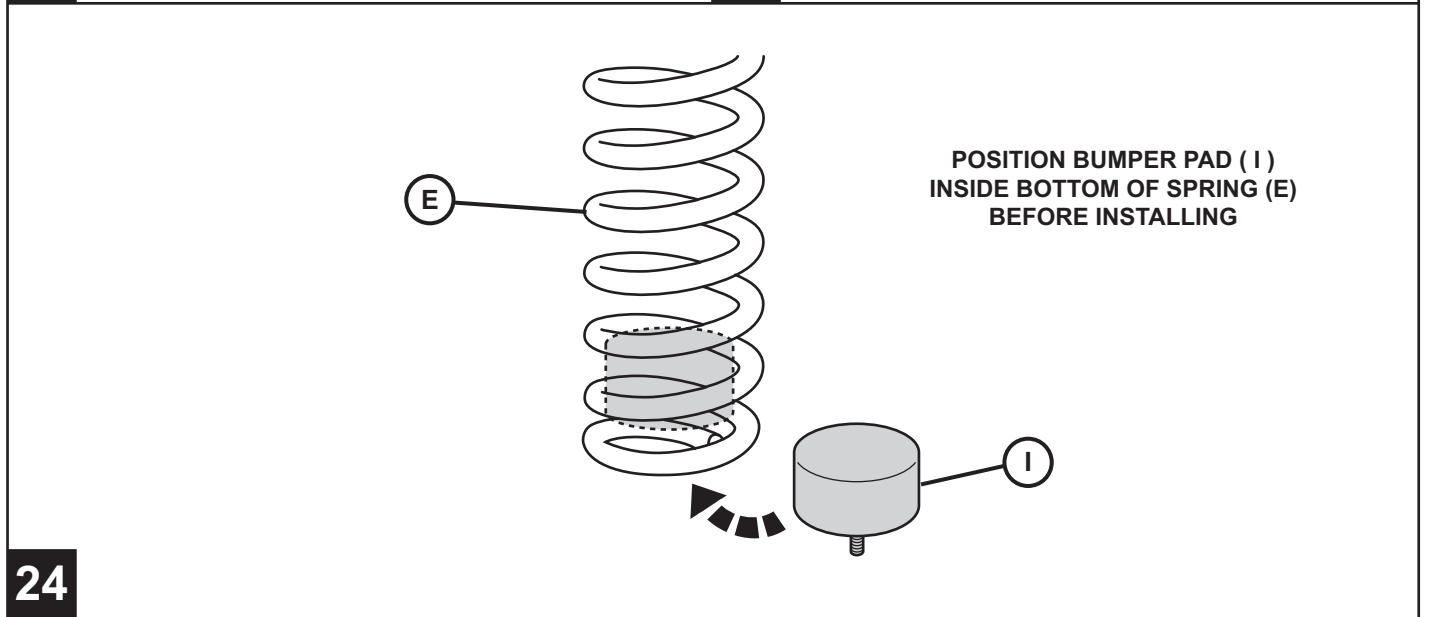




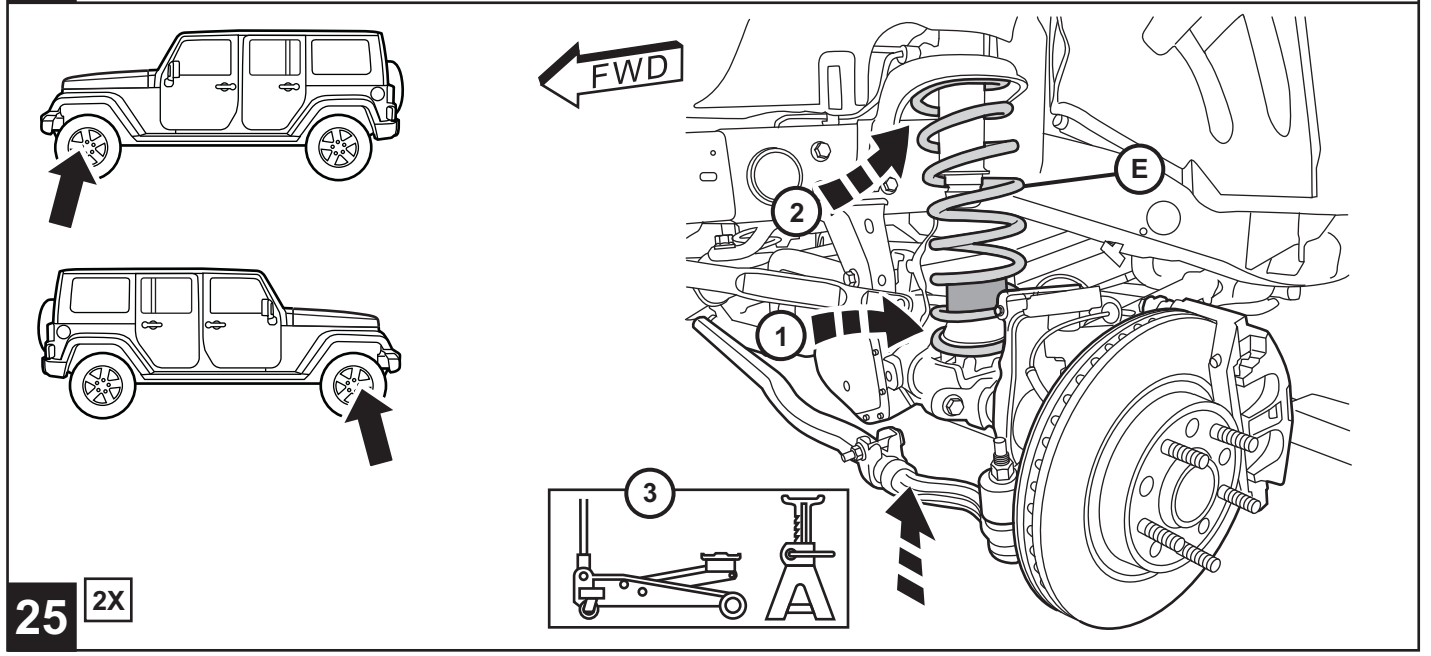
22



23

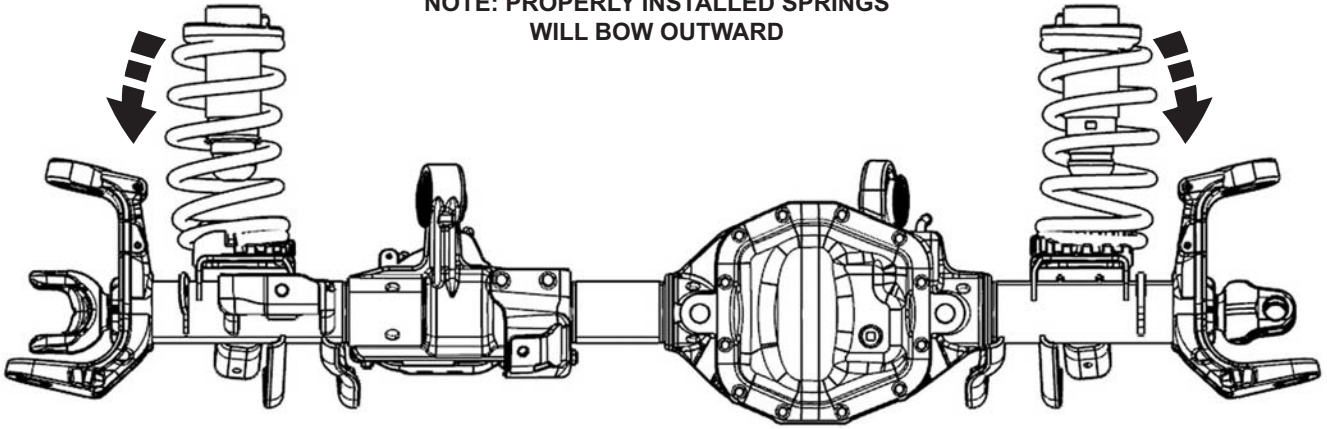


24



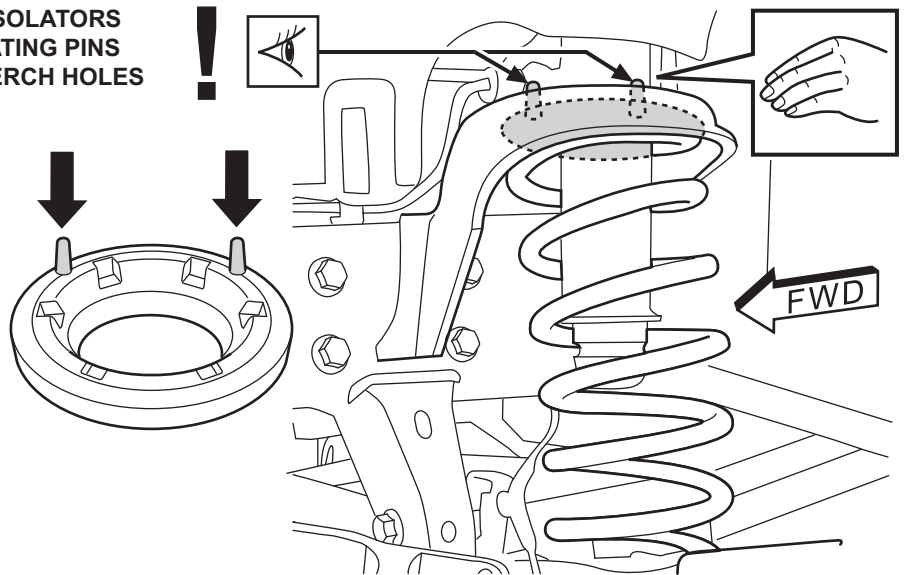
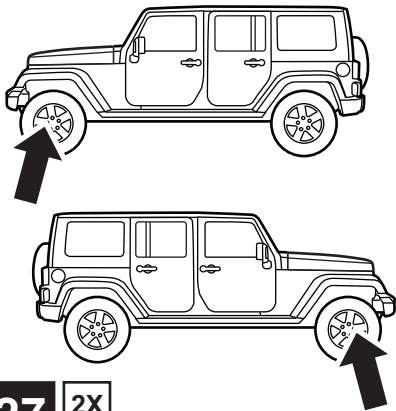
25 2X

NOTE: PROPERLY INSTALLED SPRINGS  
WILL BOW OUTWARD

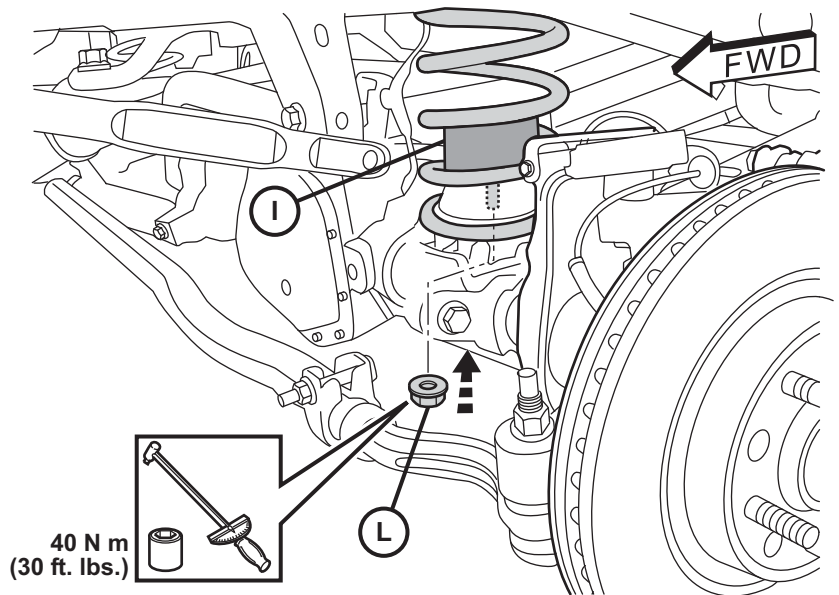
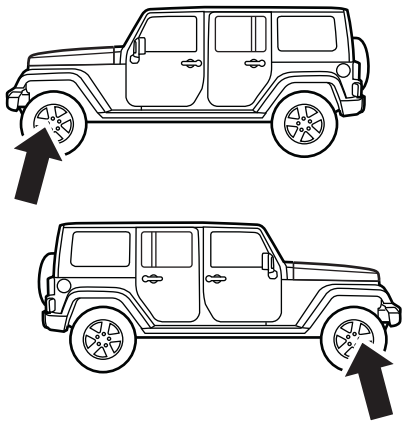


26

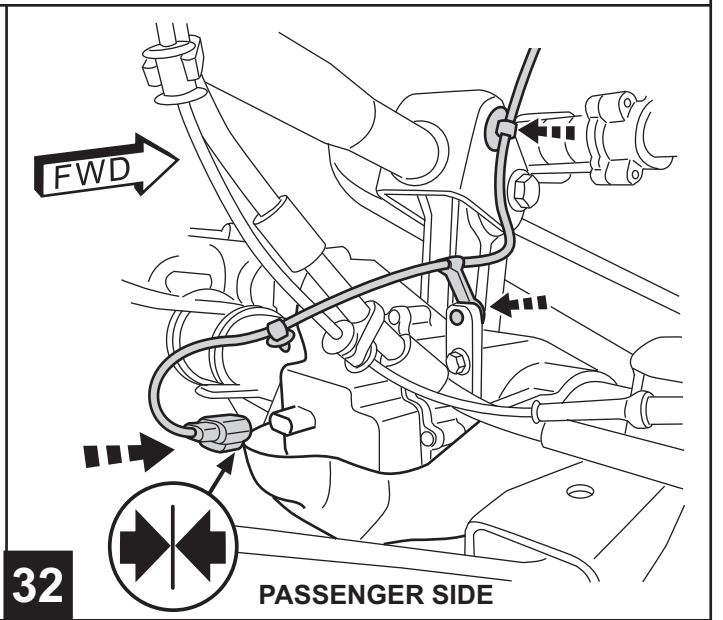
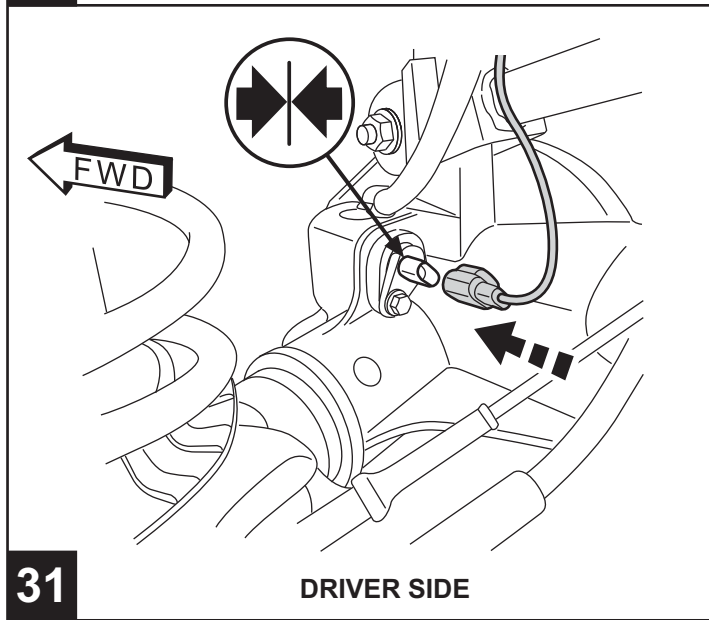
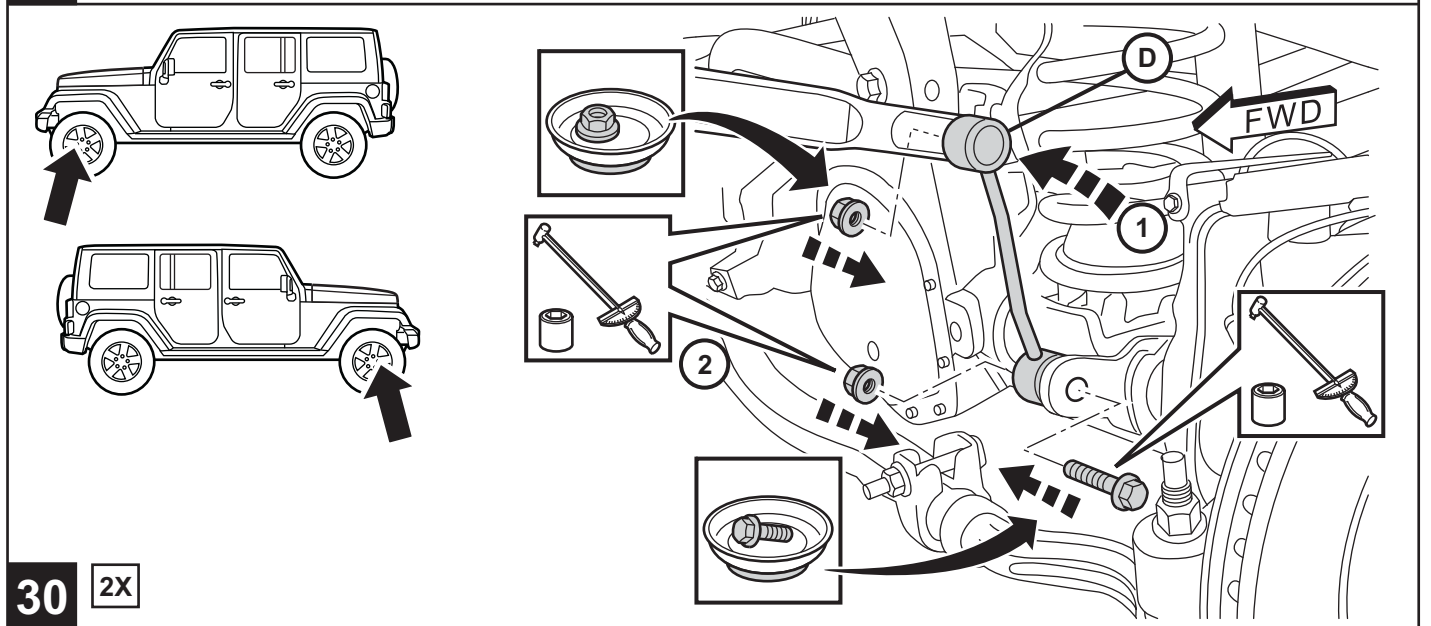
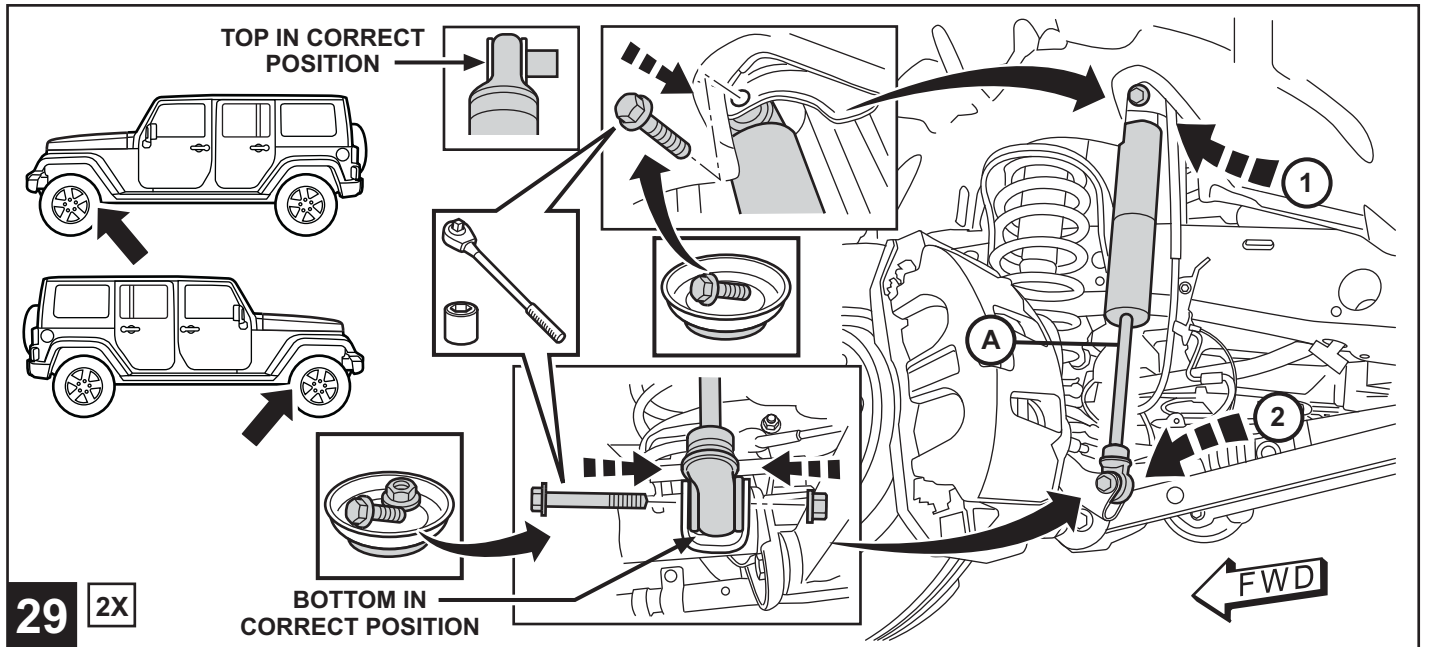
RECHECK TO ASSURE THE UPPER ISOLATORS  
ARE PROPERLY SEATED WITH LOCATING PINS  
ALIGNED WITH THE UPPER SPRING PERCH HOLES



27 2X

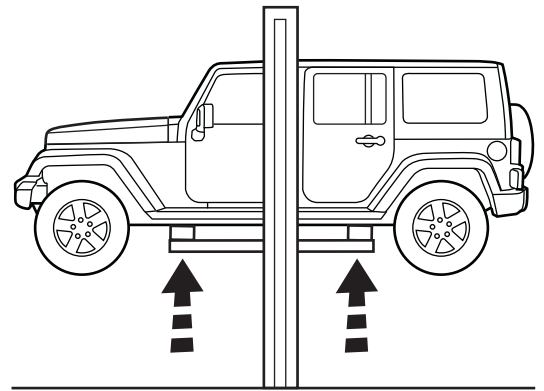
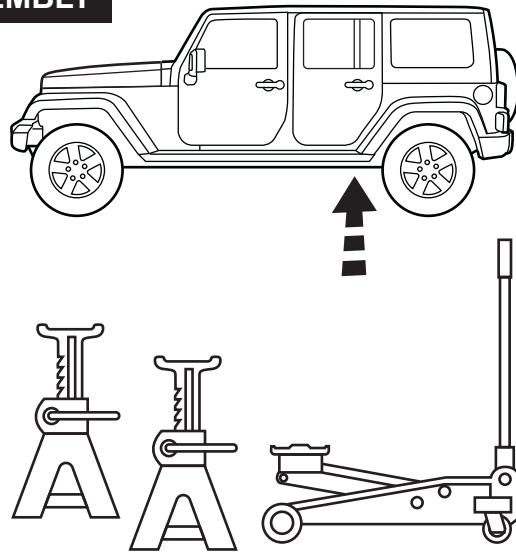


28 2X

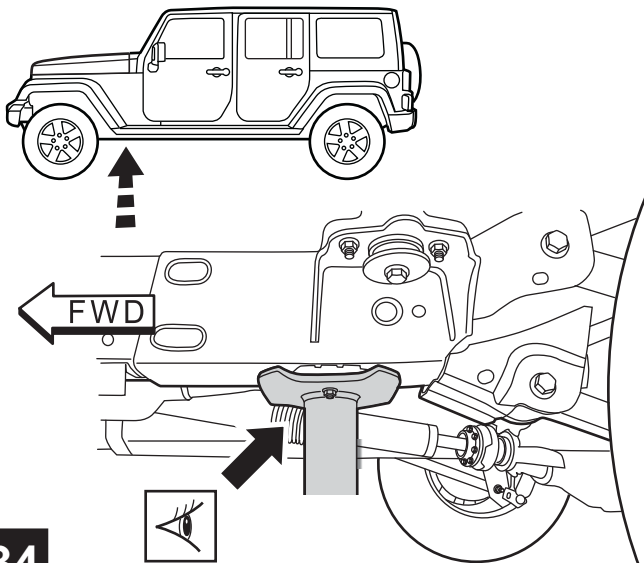


### REAR DISASSEMBLY

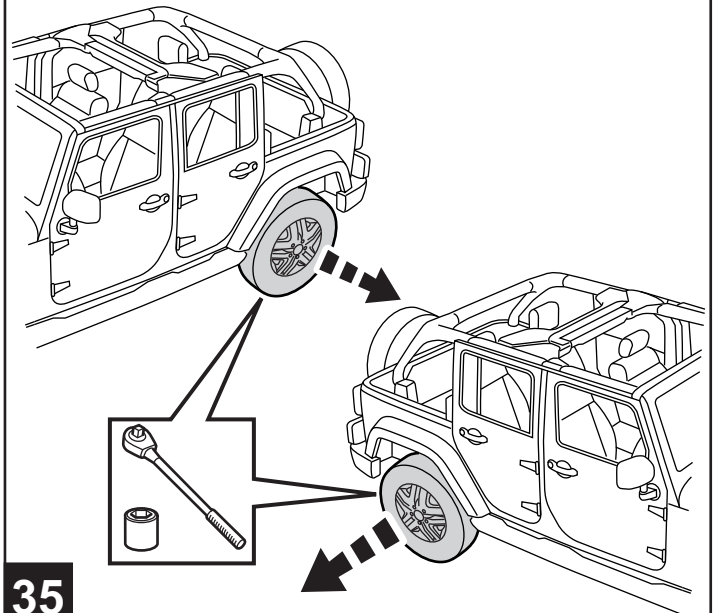
33



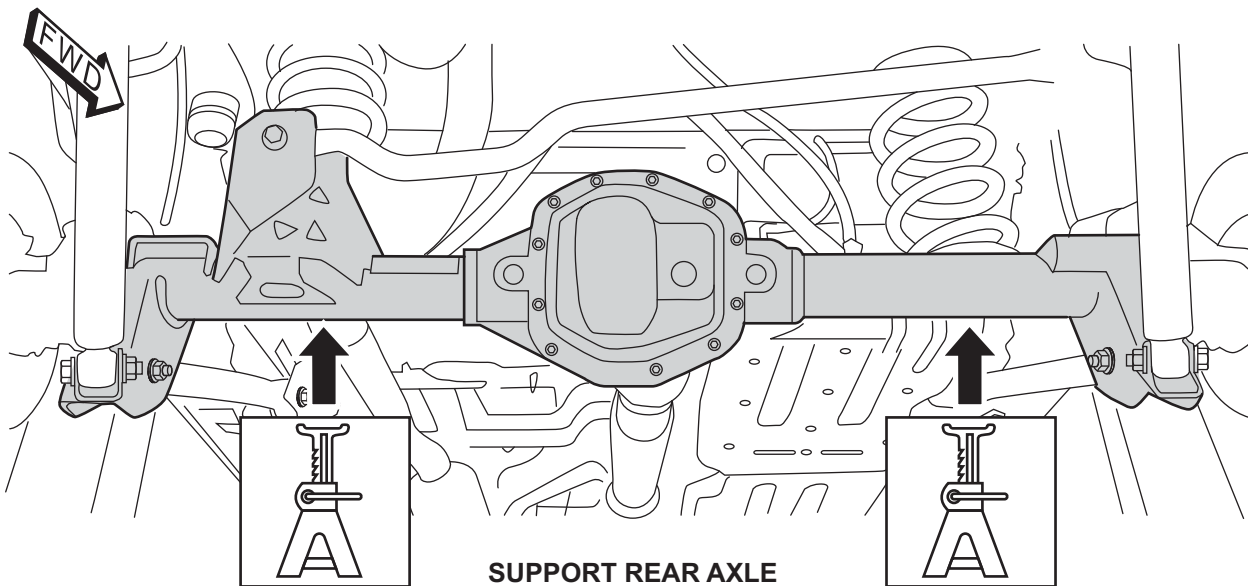
34

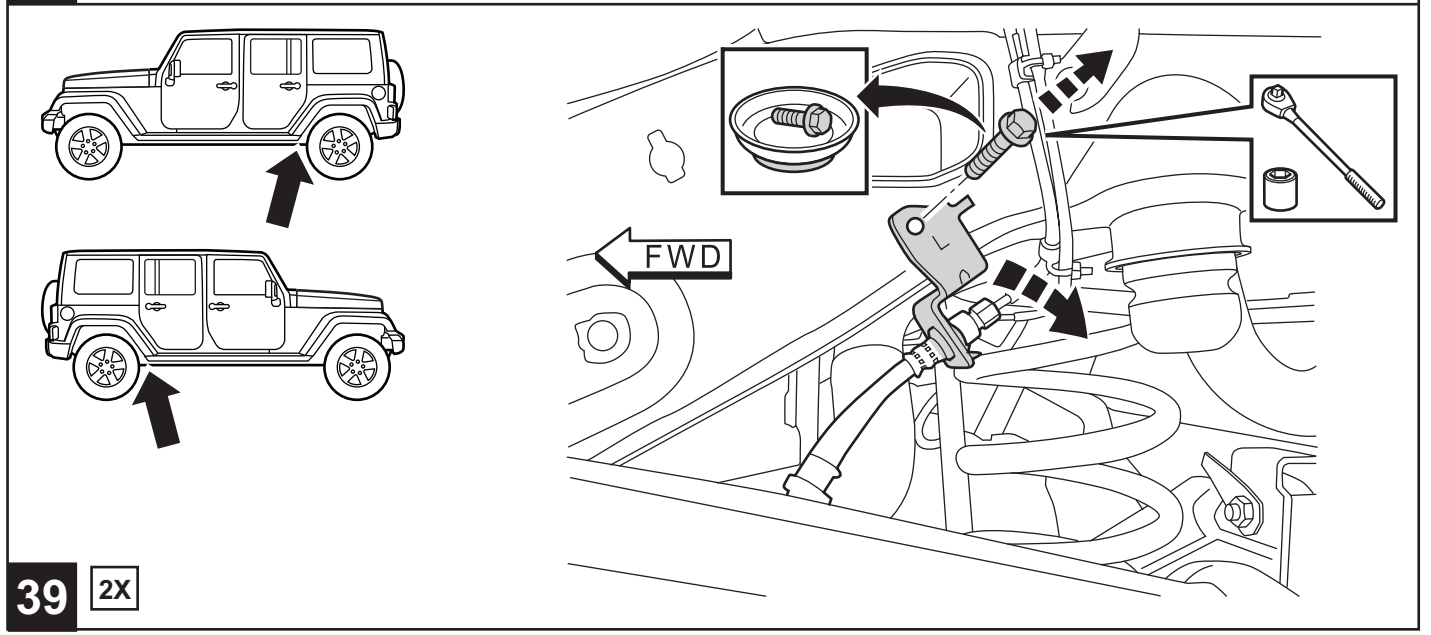
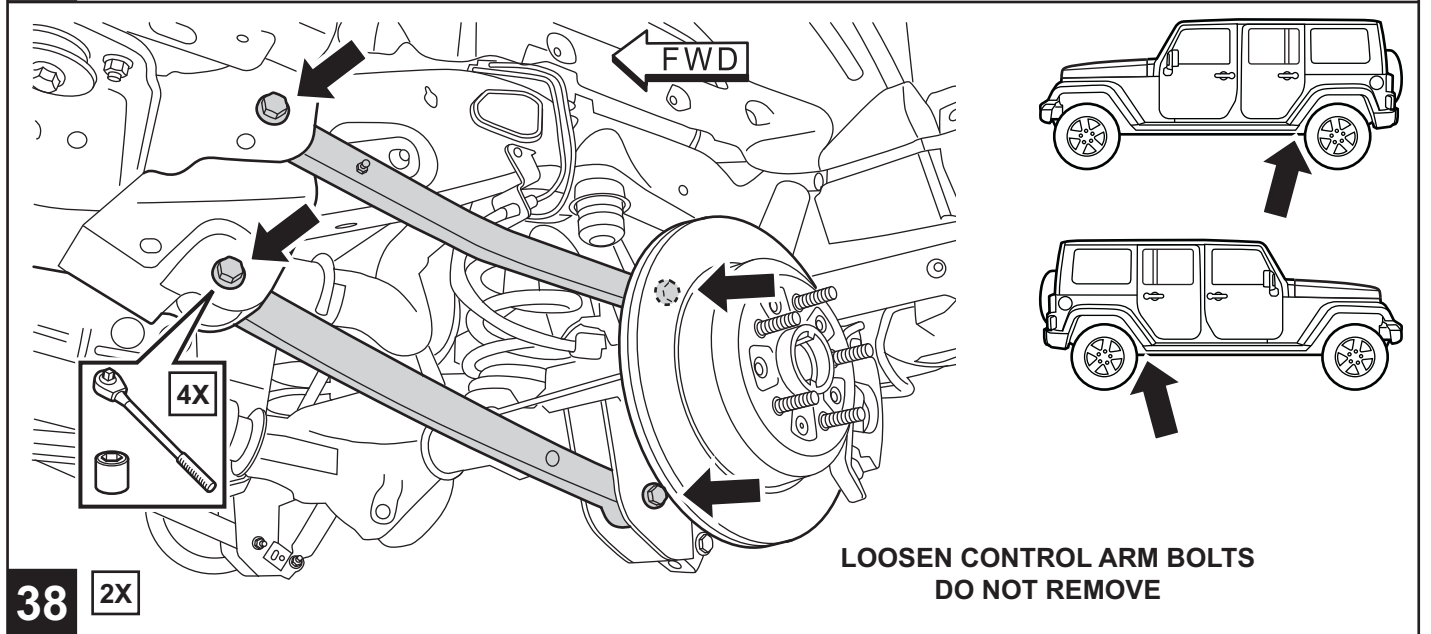
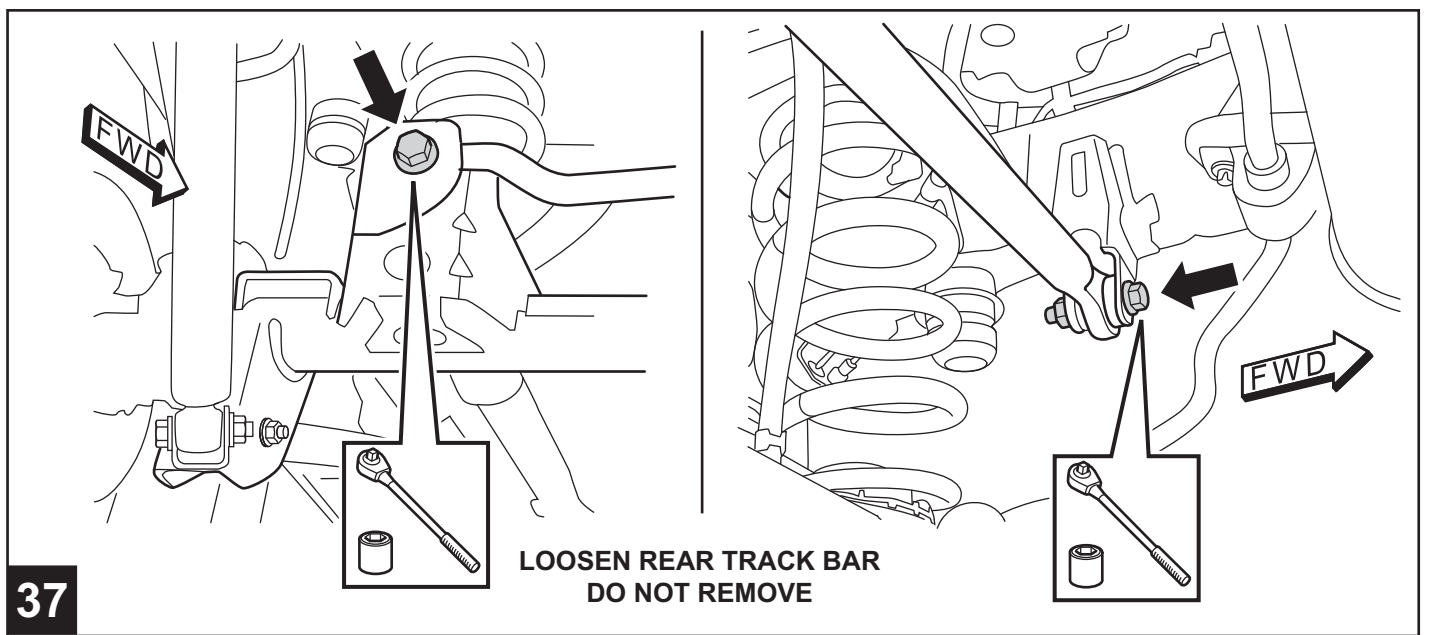


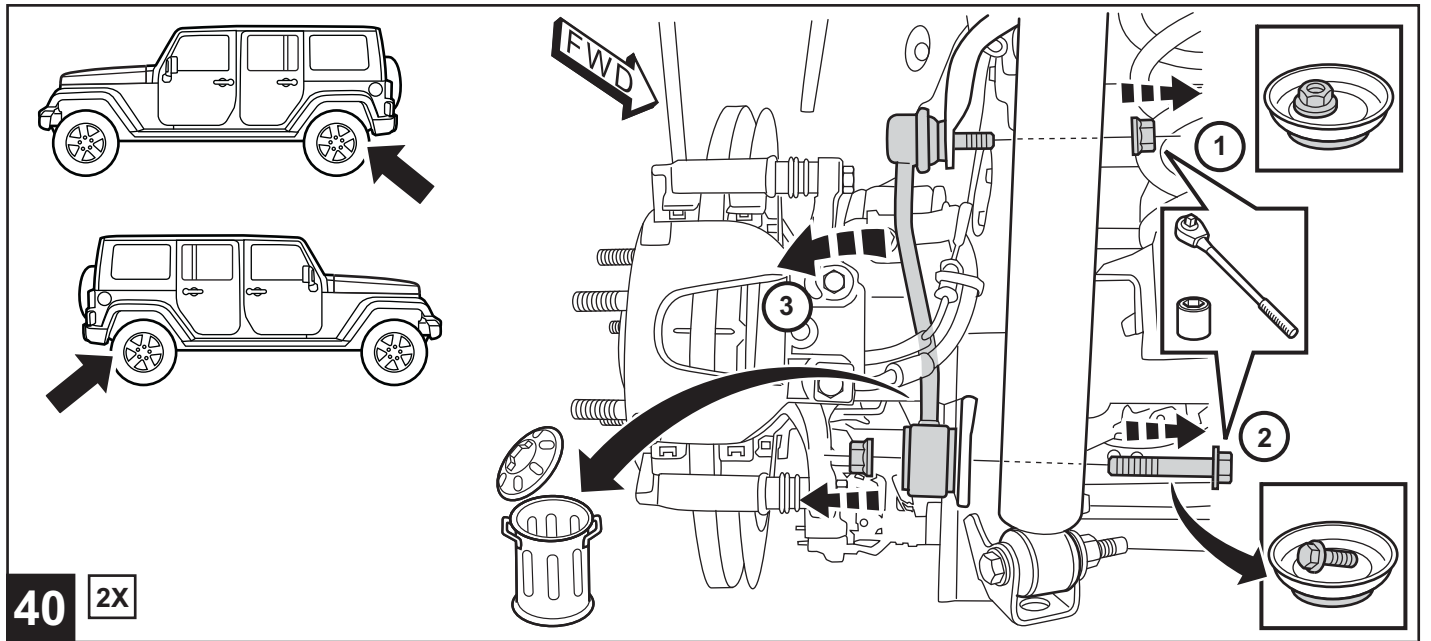
35



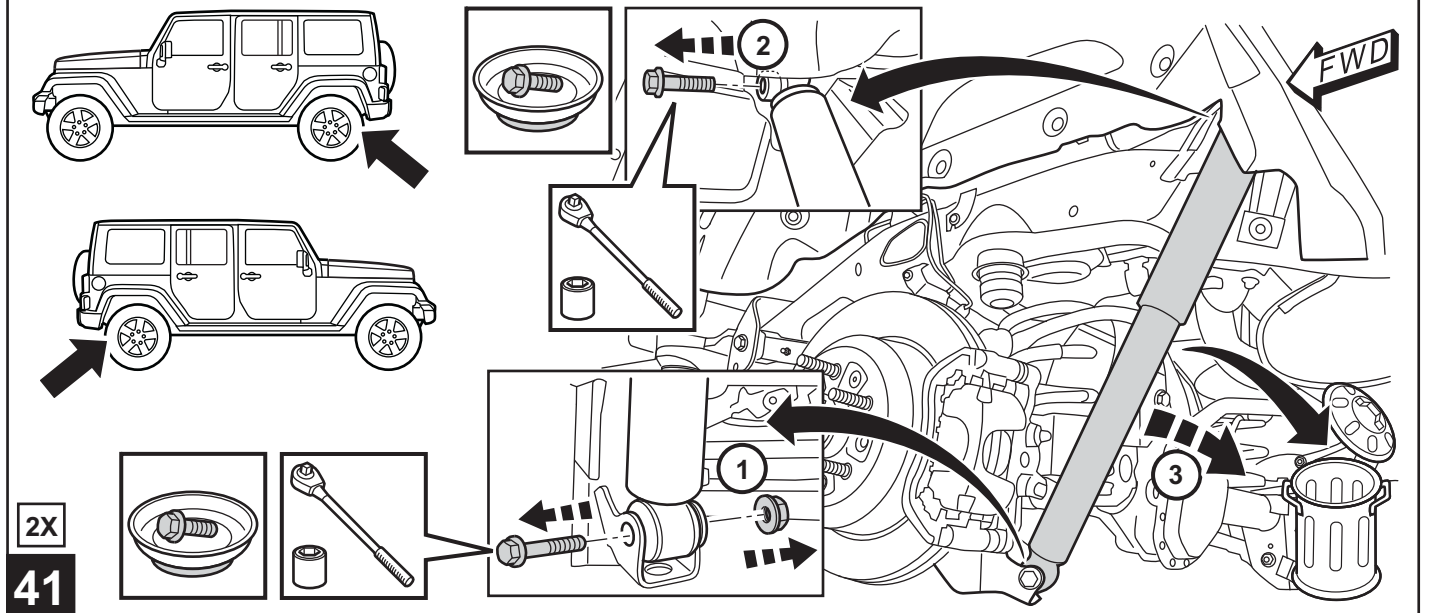
36



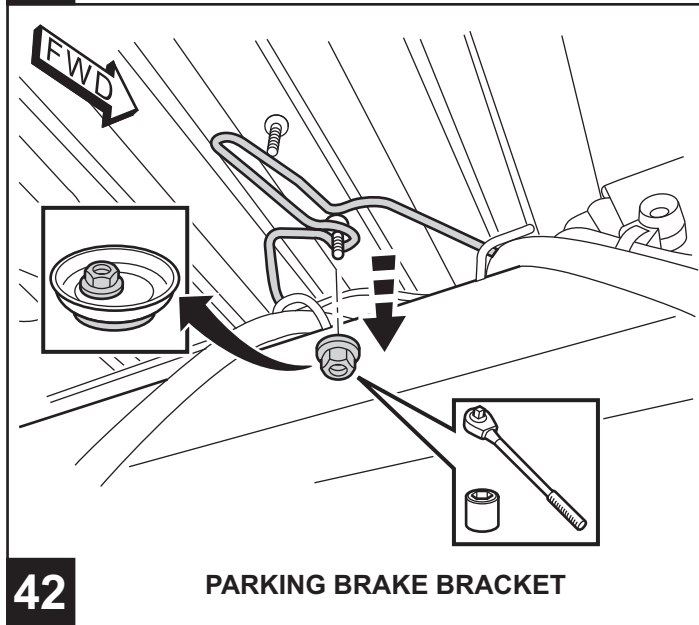




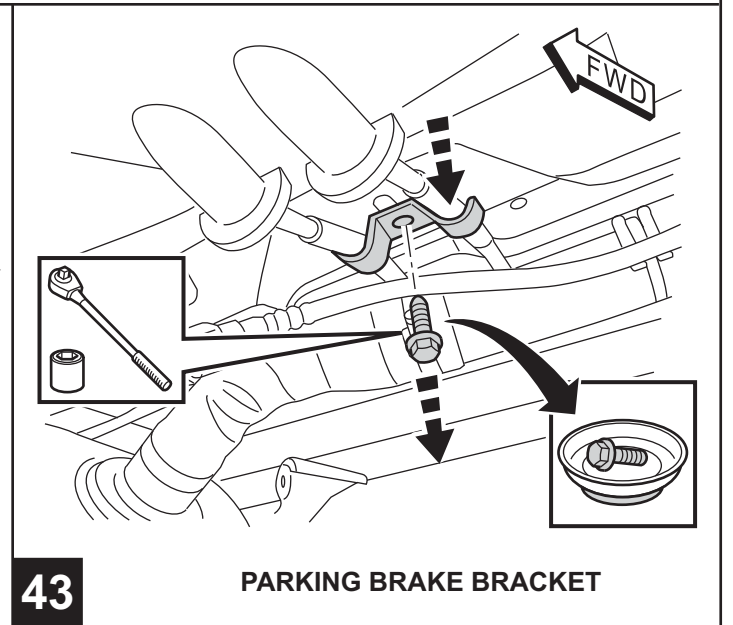
40 2X



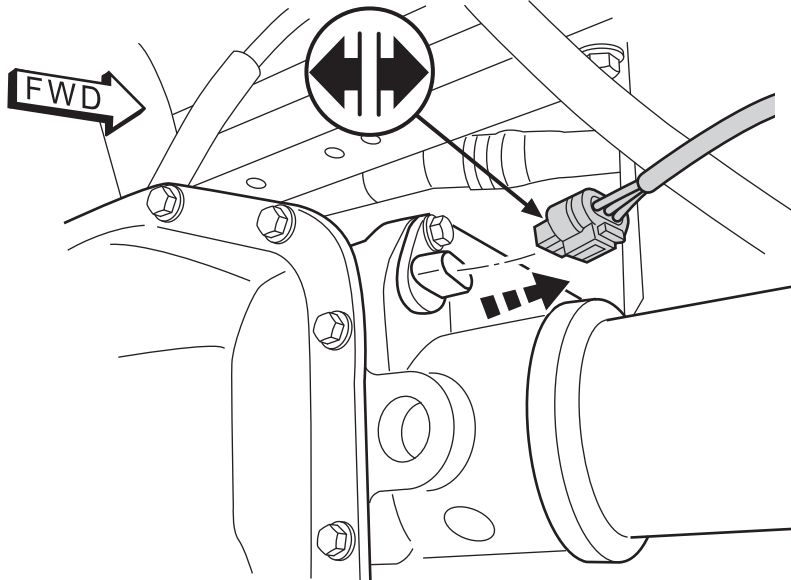
2X  
41



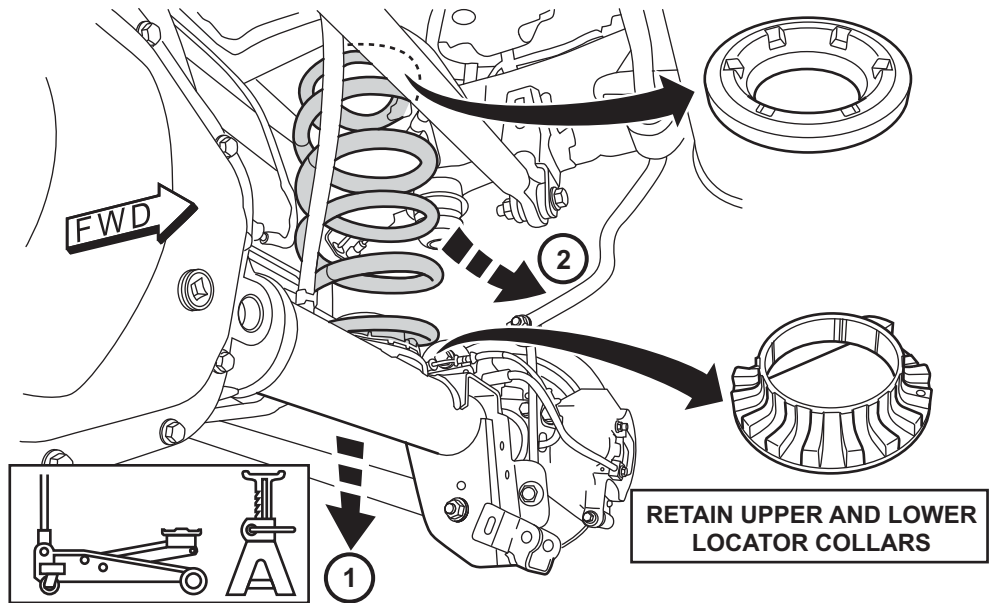
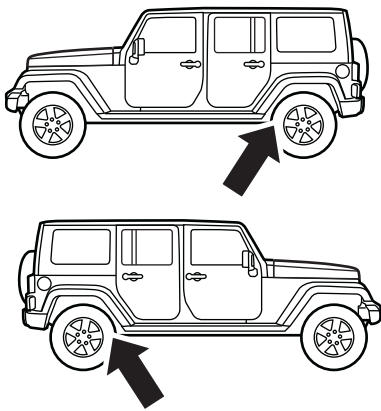
42 PARKING BRAKE BRACKET



43 PARKING BRAKE BRACKET



44



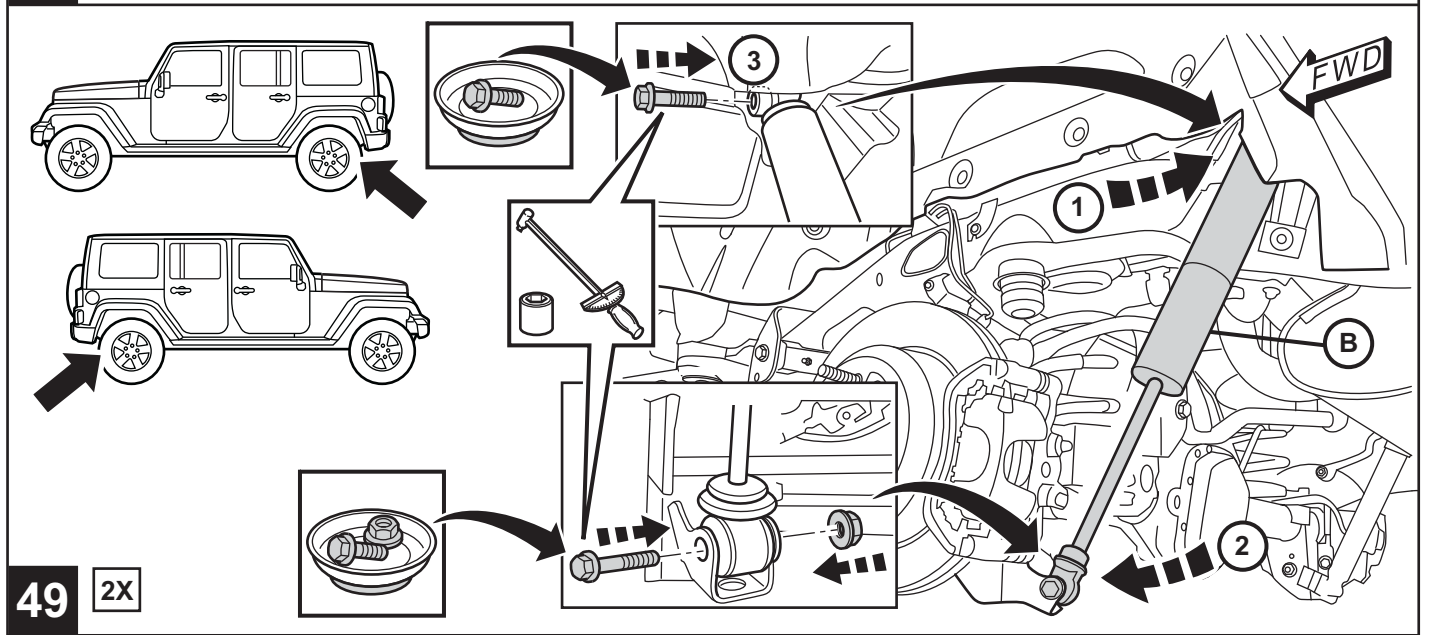
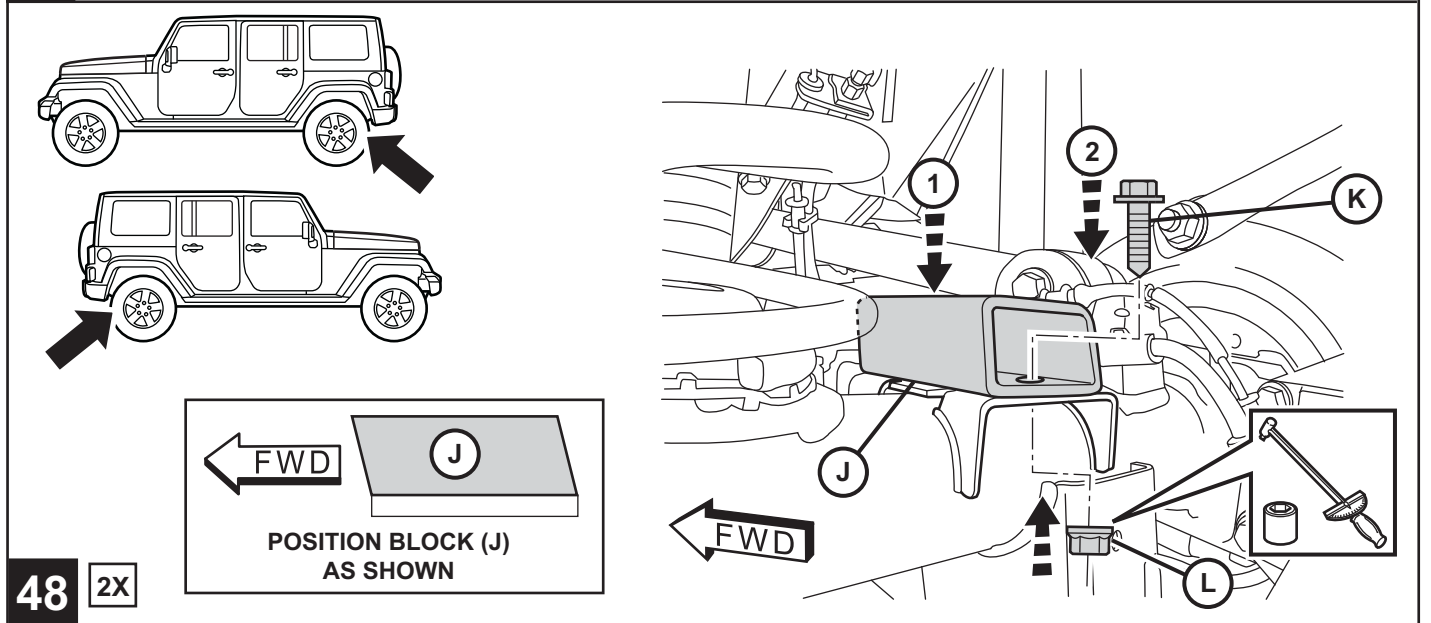
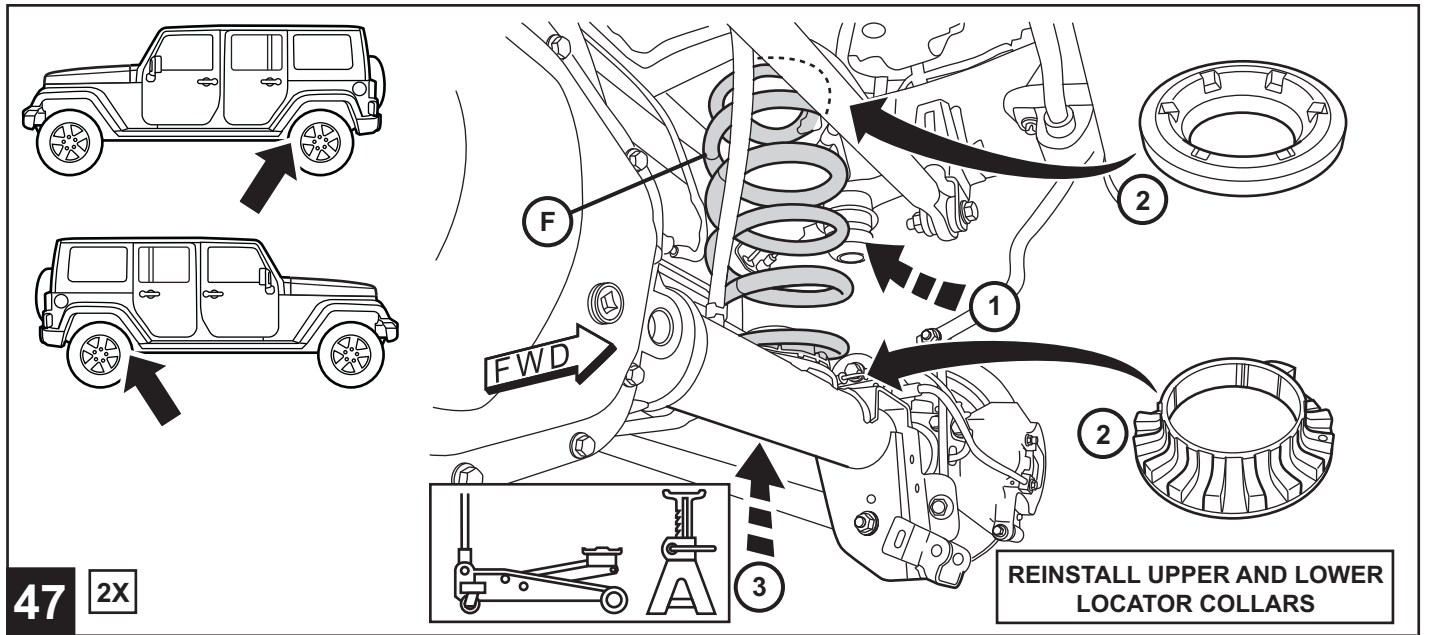
45 2X

**REAR ASSEMBLY**

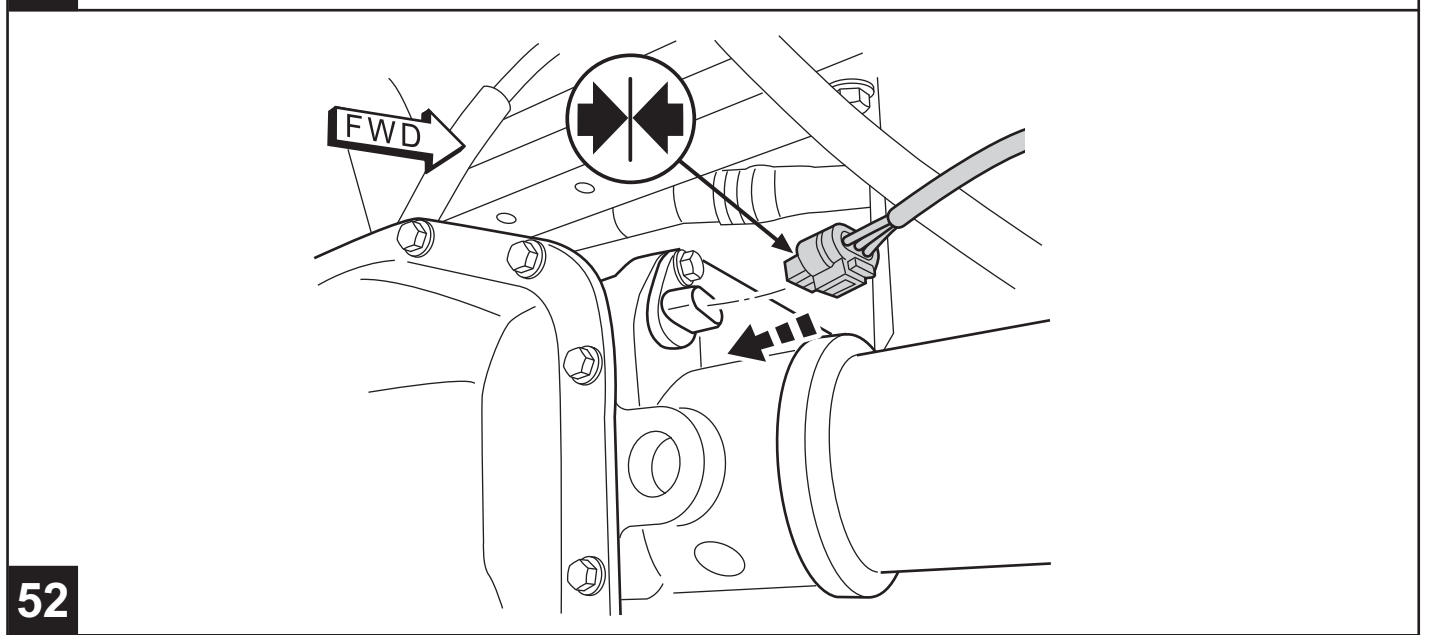
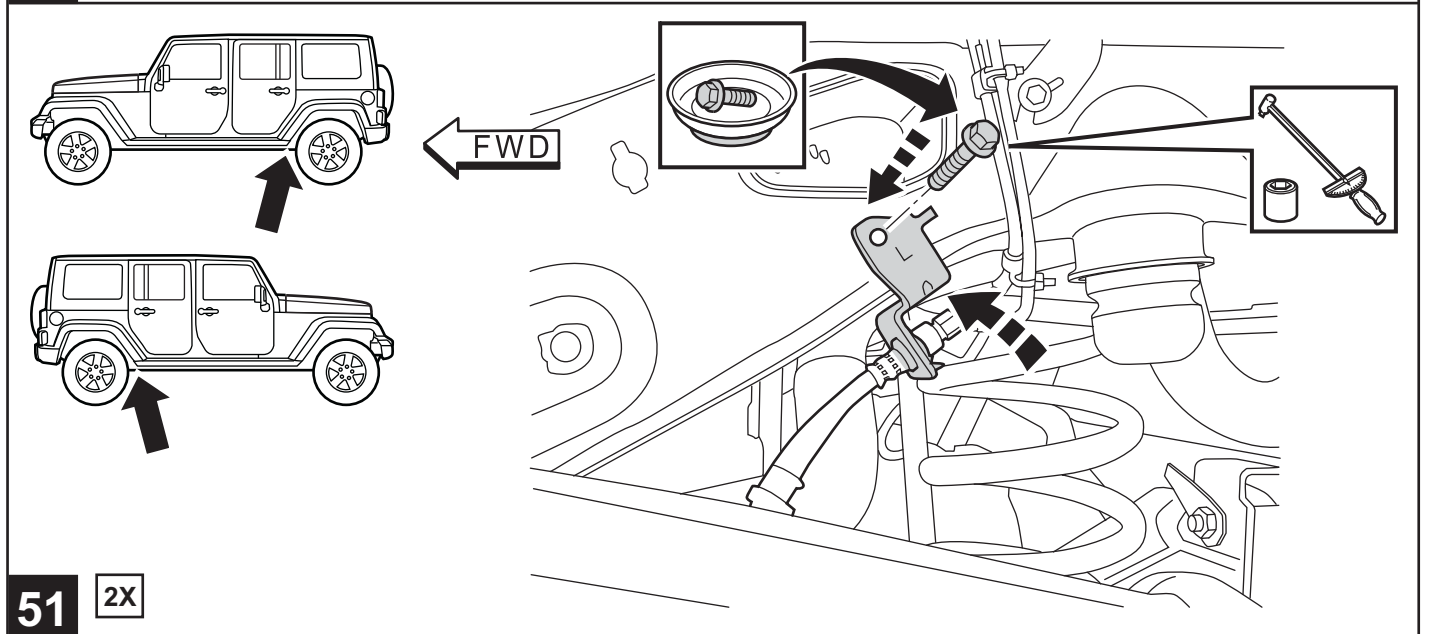
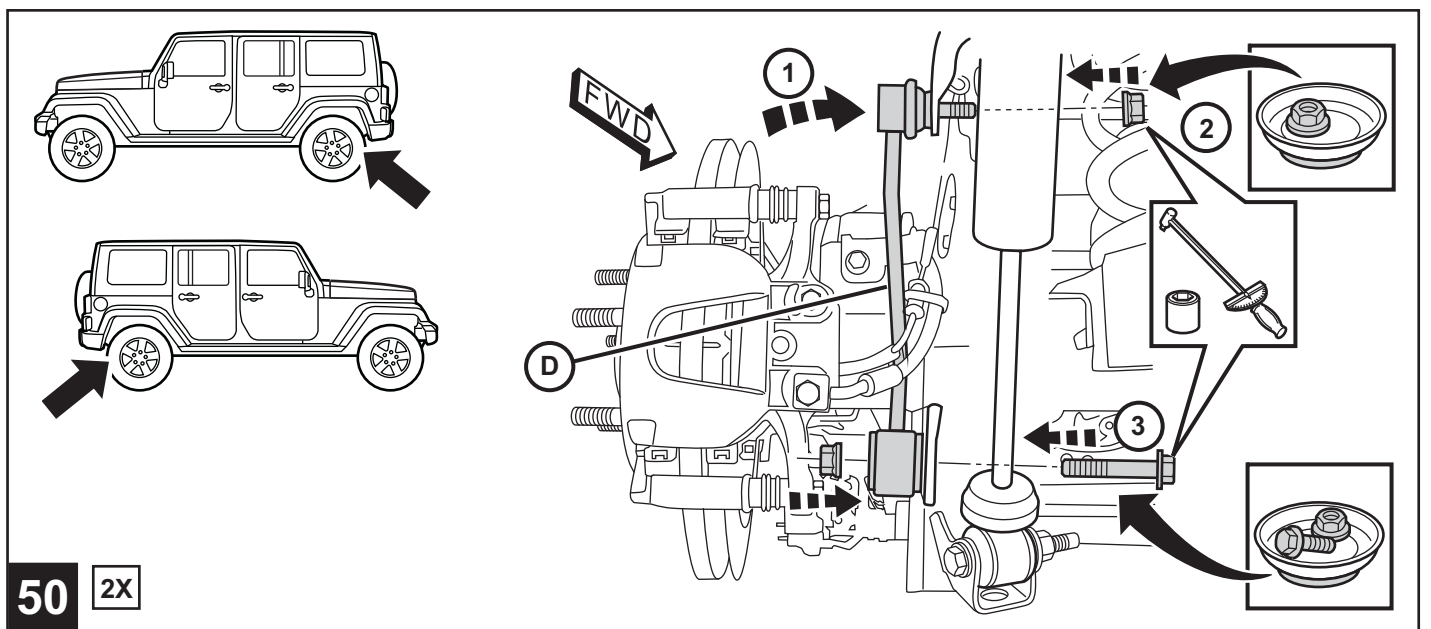
**NOTE:**

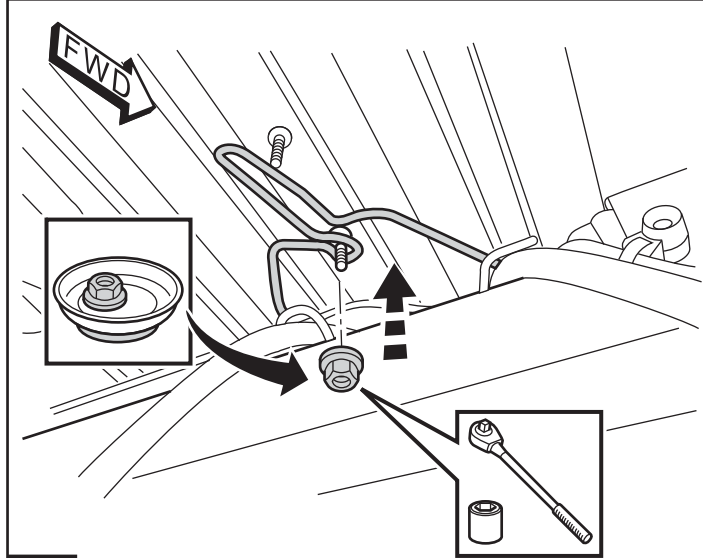
**INSTALL NEW KIT COMPONENTS AS SHOWN IN THE FOLLOWING STEPS, BUT DO NOT FULLY TIGHTEN FASTENERS UNTIL INSTRUCTED TO DO SO.**

46

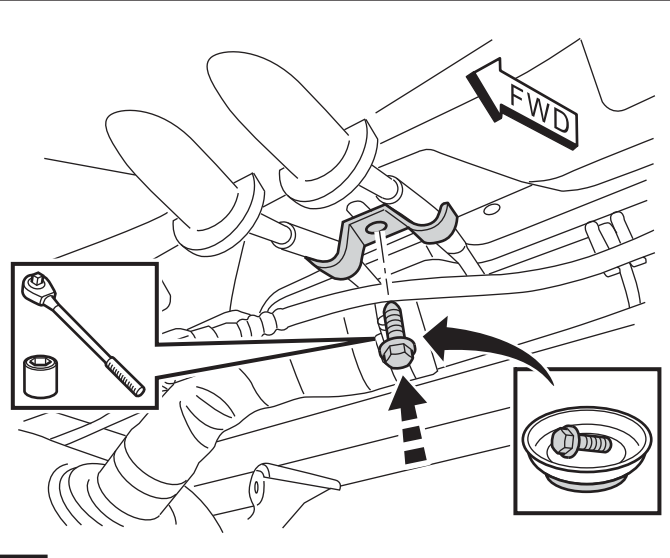




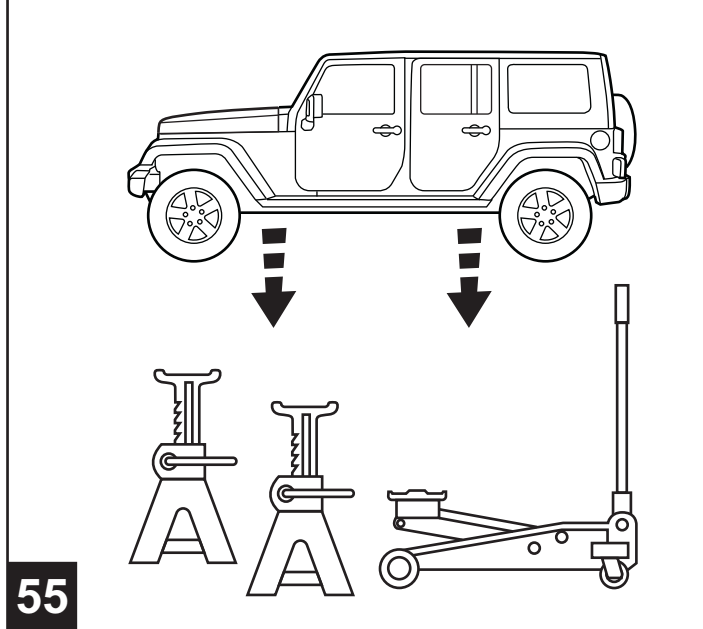




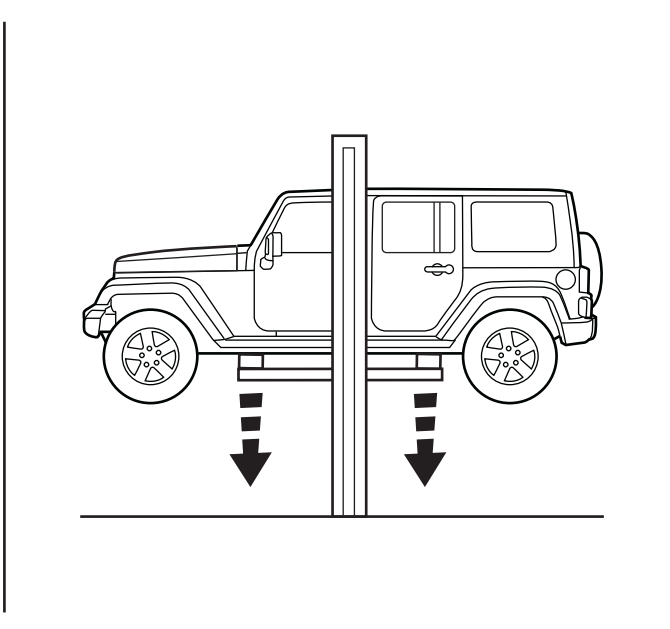
53



54



55



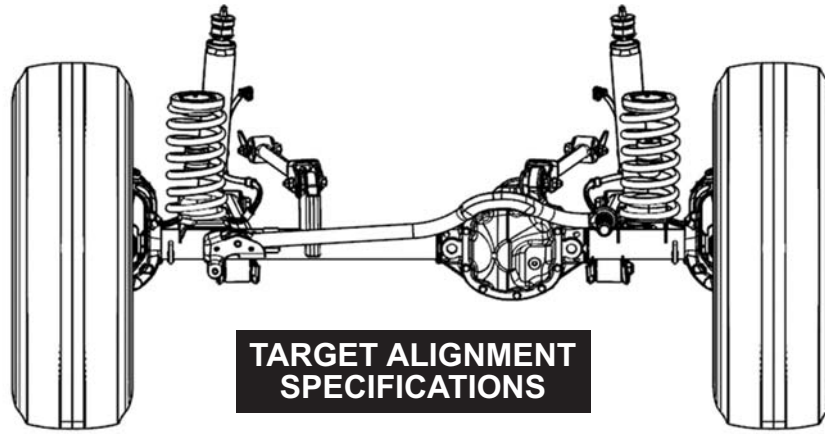
REFER TO SPECIFICATIONS ON THE FOLLOWING PAGES  
TO COMPLETE THESE INSTALLATION STEPS:

- 1) TORQUE VALUES
- 2) WHEEL ALIGNMENT
- 3) HEADLAMP ADJUSTMENT

56

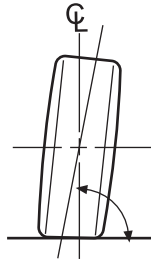
## TORQUE SPECIFICATIONS

| Joint                        | P/N                   | Size           | Wrench Size (m) | Torque<br>ft-lb  |
|------------------------------|-----------------------|----------------|-----------------|------------------|
| FRT UCA to Axle              | Bolt - 06512084AA     | M12x1.5x88.5   | 18              | <b>80</b>        |
|                              | Nut - 06104718AA      | M12x1.5        | 18              |                  |
| FRT UCA to Frame             | Bolt - 06512084AA     | M12x1.5x88.5   | 18              | <b>80</b>        |
|                              | Flag Nut - 06511834AA | M12x1.5        | 21              |                  |
| FRT LCA to Axle              | Bolt - 06512085AA     | M16x1.5x104    | 21              | <b>190</b>       |
|                              | Nut - 06104720AA      | M16x1.5        | 24              |                  |
| FRT LCA to Frame             | Bolt - 06512085AA     | M16x1.5x104    | 21              | <b>190</b>       |
|                              | Nut - 06104720AA      | M16x1.5        | 24              |                  |
| FRT Brake Hose to LCA        |                       |                |                 | <b>15</b>        |
|                              | Nut - 06512384AA      | M8x1.75        | 15              |                  |
| FRT Track Bar to Axle        | Bolt - 06512061AA     | M14x1.5x74.15  | 21              | <b>110</b>       |
|                              | Flag Nut - 06512106AA | M14x1.5        | 21              |                  |
| FRT Track Bar to Frame       | Bolt - 06512061AA     | M14x1.5x74.15  | 21              | <b>110</b>       |
|                              | Nut - 06104719AA      | M14x1.5        | 21              |                  |
| FRT Stabar Link to Axle      | Bolt - 06512065AA     | M12x1.5x75     | 18              | <b>60</b>        |
|                              | Nut - 06104718AA      | M12x1.5        | 18              |                  |
|                              | Flag Nut - 06508590AA | M12x1.5        | 18              |                  |
| FRT Stabar to Frame          | Bolt - 06508224AA     | M10x1.5x25     | 15              | <b>45</b>        |
|                              |                       |                |                 |                  |
| FRT Stabar Link to Stabar    |                       |                |                 | <b>60</b>        |
|                              | Nut - 06502697        |                | 18              |                  |
| FRT UCA Heat Shield to Frame | Bolt - 06509319AA     | M6x1.0x21.8    | 10              | <b>40 in-lbs</b> |
|                              |                       |                |                 |                  |
| FRT Lower Shock to Axle      | Bolt - 06512084AA     | M12x1.5x88.5   | 18              | <b>75</b>        |
|                              | Nut - 06510676AA      | M12x1.5        | 18              |                  |
| FRT Upper Shock to Frame     | Bolt - 06512467AA     | M12x1.5x120    | 18              | <b>80</b>        |
|                              |                       |                |                 |                  |
| RR UCA to Axle               | Bolt - 06512063AA     | M14x1.5x104.15 | 21              | <b>95</b>        |
|                              | Flag Nut - 06508598AA | M14x1.5        | 21              |                  |
| RR UCA to Frame              | Bolt - 06512063AA     | M14x1.5x104.15 | 21              | <b>120</b>       |
|                              | Flag Nut - 06508786AA | M14x1.5        | 21              |                  |
| RR LCA to Axle               | Bolt - 06512063AA     | M14x1.5x104.15 | 21              | <b>90</b>        |
|                              | Nut - 06104719AA      | M14x1.5        | 21              |                  |
| RR LCA to Frame              | Bolt - 06512063AA     | M14x1.5x104.15 | 21              | <b>90</b>        |
|                              | Nut - 06104719AA      | M14x1.5        | 21              |                  |
| RR Track Bar to Axle         | Bolt - 06512061AA     | M14x1.5x74.15  | 21              | <b>90</b>        |
|                              | Flag Nut - 06508593AA | M14x1.5        | 21              |                  |
| RR Track Bar to Frame        | Bolt - 06512061AA     | M14x1.5x74.15  | 21              | <b>90</b>        |
|                              | Nut - 06104719AA      | M14x1.5        | 21              |                  |
| RR Stabar Link to Axle       | Bolt - 06512065AA     | M12x1.5x75     | 18              | <b>60</b>        |
|                              | Nut - 06104718AA      | M12x1.5        | 18              |                  |
| RR Stabar to Frame           | Bolt - 06508224AA     | M10x1.5x25     | 15              | <b>50</b>        |
|                              |                       |                |                 |                  |
| RR Lower Shock to Axle       | Bolt - 06512084AA     | M12x1.5x88.5   | 18              | <b>75</b>        |
|                              | Nut - 06510676AA      | M12x1.5        | 18              |                  |
| RR Upper Shock to Frame      | Bolt - 06105106AA     | M12x1.5x110    | 18              | <b>80</b>        |
|                              |                       |                |                 |                  |
| Front Bump Stop              |                       | M8X1.25X20     | 18              | <b>20</b>        |
|                              | Nut                   | M8X1.25        |                 |                  |
| Rear Bump Stop               | Bolt - 05143356AC     | M8x1.25x21     | 18              | <b>20</b>        |
|                              | Nut - 06101695        | M8X1.25        |                 |                  |



**LEFT FRONT**

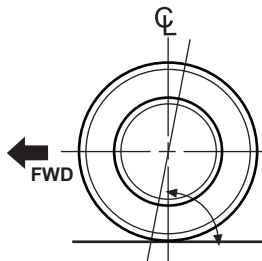
**CAMBER**  
 - 0.25° +/- 0.37°  
 (FIXED, CAN NOT BE ADJUSTED)



**RIGHT FRONT**

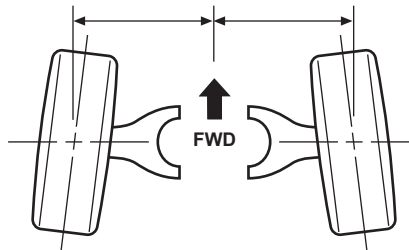
**CAMBER**  
 - 0.25° +/- 0.37°  
 (FIXED, CAN NOT BE ADJUSTED)

**CASTER**  
 4.80° +/- 1.00°



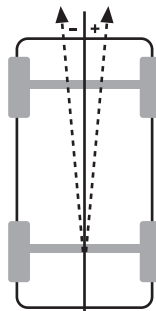
**CASTER**  
 4.80° +/- 1.00°

**TOE-IN**  
 0.0° - 0.12°

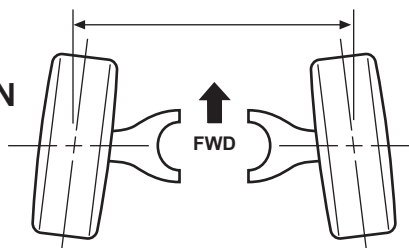


**TOE-IN**  
 0.0° - 0.12°

**THRUST ANGLE**  
 0.0° - 0.25°



**TOTAL TOE-IN**  
 0.0° - 0.20°



## HEADLAMP ALIGNMENT

1. Verify proper tire inflation pressures.
2. Verify that there is no extra weight load in the vehicle except for the driver.
3. The fuel tank should be FULL.
4. Prepare an alignment wall according to diagram below:

