

Quadratec® Stealth Light Bar

Installation Manual for 2007-2018 Wrangler JK & JKU Vehicles
#97109.1402



⚠ WARNING ⚠

TO REDUCE RISK OF SERIOUS INJURY OR PROPERTY DAMAGE: READ ALL SAFETY MESSAGES AND UNDERSTAND ALL INSTRUCTIONS AND PROCEDURE *NOTICES* BEFORE ATTEMPTING TO INSTALL OR USE THIS PRODUCT.

⚠ CAUTION ⚠

RISK OF EYE INJURY! SAFETY GLASSES MUST BE WORN AT ALL TIMES WHILE INSTALLING OR MAINTAINING THIS PRODUCT. DO NOT USE IF DAMAGED.

NOTICE

CHECK STATE AND LOCAL HIGHWAY SAFETY LAWS REGARDING USE OF AUXILLARY LIGHTING. THESE ARE INTENDED FOR OFF ROAD USE ONLY.

⚠ CAUTION ⚠

WHEN ROUTING ELECTRICAL WIRES, ALWAYS AVOID PINCHING WIRES. ALWAYS AVOID HOT OR MOVING COMPONENTS. ALWAYS SECURE WIRES WITH CABLE TIES.

Quadratec®
The Jeep® Experts

A Few Words About Product Safety:

Your Stealth LED Lightbar is designed to enhance the utility and enjoyment of your off road capable vehicle. Before installation, please take a moment to review the following safety information

and installation instructions. Important safety information is generally preceded by one of three signal words indicating the relative risk of injury. The signal words mean:

⚠ WARNING ⚠	A hazardous situation which, if not avoided, could result in death or serious injury. You CAN be KILLED or SERIOUSLY HURT if you don't follow instructions.
⚠ CAUTION ⚠	A hazardous situation which, if not avoided, could result in minor or moderate injury. You CAN be moderately HURT and also may suffer property damage if you don't follow instructions.
NOTICE	Careful attention is required to this instruction or operation but does generally not relate to personal injury. Damage to your Quadratec® product or other property may result if you don't follow instructions.

Before You Begin Installation:

Congratulations on your purchase of the Quadratec Stealth LED Lightbar for your Jeep® Wrangler.

to shipping. If any part is missing or broken, please call Customer Service at 800-745-6037 as soon as possible.

When unpacking, check to make sure all parts are included and not damaged due

Thank you again for your purchase and let's start the installation process.

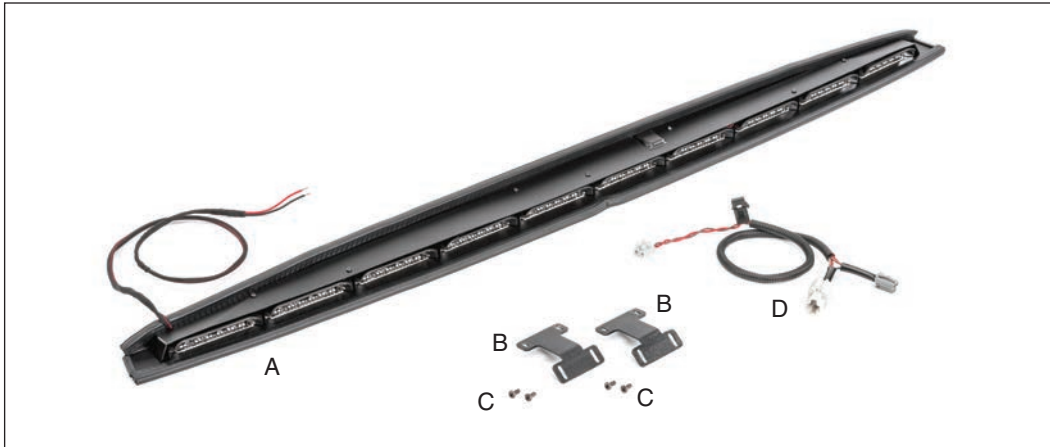
⚠ CAUTION ⚠	READ ALL SAFETY MESSAGES AND ALWAYS WEAR SAFETY GLASSES WHEN WORKING WITH TOOLS.
--------------------	---

NOTICE	THE LIGHTBAR IS LONG AND SOMEWHAT AWKWARD TO HANDLE DURING INSTALLATION. WE RECOMMEND GETTING ASSISTANCE TO PREVENT DAMAGE TO THE PRODUCT OR YOUR VEHICLE.
---------------	---

⚠ CAUTION ⚠	WHEN ROUTING ELECTRICAL WIRES, ALWAYS AVOID PINCHING WIRES. ALWAYS AVOID HOT OR MOVING COMPONENTS. SECURE WIRES WITH CABLE TIES.
--------------------	---



Quadratec Stealth Light Bar Parts & Tools:



PARTS LIST:

A) Light Bar	QTY 1
B) Mounting Brackets	QTY 2
C) Torx Screws	QTY 4
D) Power Tap Harness	QTY 1

REQUIRED TOOLS:

Safety Glasses
Phillips Head Screwdriver
Small Flat Head Screwdriver
Forked Clip/Trim Removal Tool
Ratchet
7mm Socket
T-20 & T-25 Sockets

LED Lightbar Installation: for '07-'10 JK



Put on safety glasses. Using a trim clip removal tool gently remove the dash top panel. (FIG1) There are clips at the back and then it will lift off toward the rear of vehicle.



Disconnect the compass module harness from the top panel. (FIG 2)

Quadratec
The Jeep® Experts

LED Lightbar Installation: for '07-'10 JK



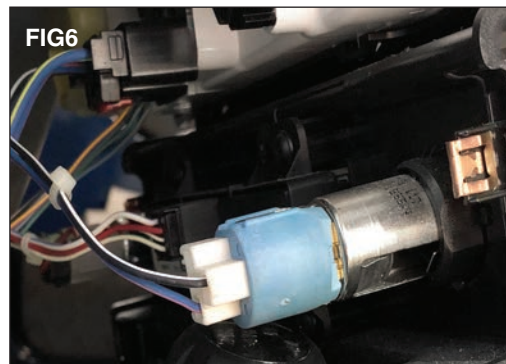
Remove the two upper screws using a 7mm socket. (FIG 3) Using a trim clip removal tool gently remove the lower



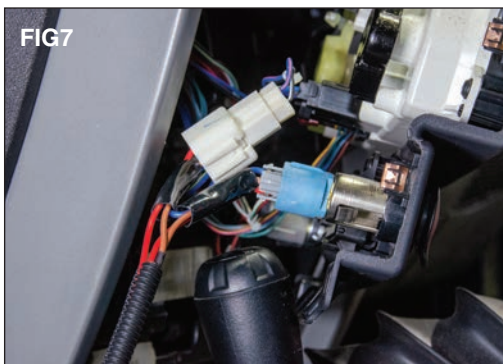
dash panel starting at the top. (FIG4) There are clips at the top and then it will lift upward and out.



Remove the two lower screws using a 7mm socket. (FIG 5)



Gently pull the center panel away from the dash to release the clips and tilt it enough to access the 12 volt socket connection. Squeeze the white tab and disconnect it. (FIG 6)



Connect the white connector on the new wiring harness to the original plug you just disconnected in FIG 6.

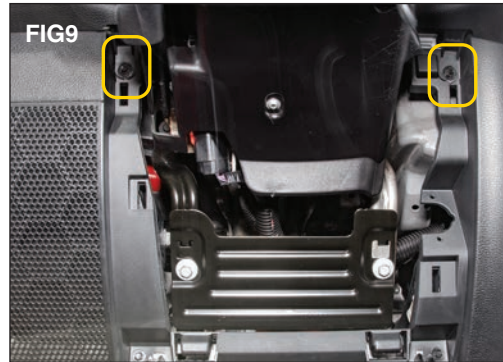
Connect the gray connector back into the 12v socket. (FIG 7) Skip to FIG 17.

Quadratec
The Jeep® Experts

LED Lightbar Installation: for '11-'18 JK



Under the steering column remove the center panel by pulling it away from the dash releasing the clips. (FIG8)



Remove the two screws using a 7mm socket. (FIG9)



Using a trim clip removal tool gently remove the window control switch or dash pocket if switches aren't present. (FIG 10)



On the window control switch slide the red locking tab over, squeeze the black tab and disconnect the harness. (FIG 11)

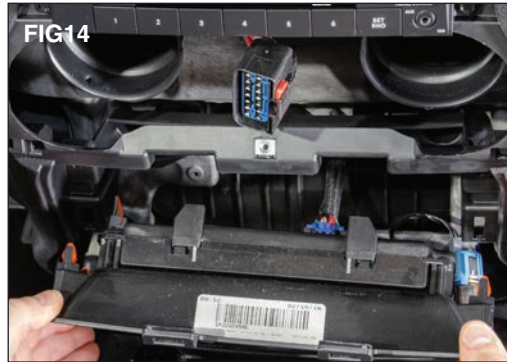


Remove the center screw using a 7mm socket. (FIG 12)

LED Lightbar Installation: for '11-'18 JK

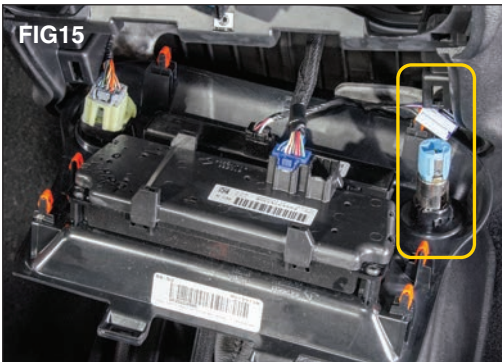


On top of the dash lift up the rubber tray insert and remove the screw using a 7mm socket. (FIG13) Next, Lift the large dash top panel off and carefully



set it aside. (as highlighted in FIG 13A)

Gently pull out on the climate control center to release the clips. (FIG 14)



Tilt the panel away enough to access the 12v socket connection. Squeeze the black tap and disconnect it. (FIG 15)

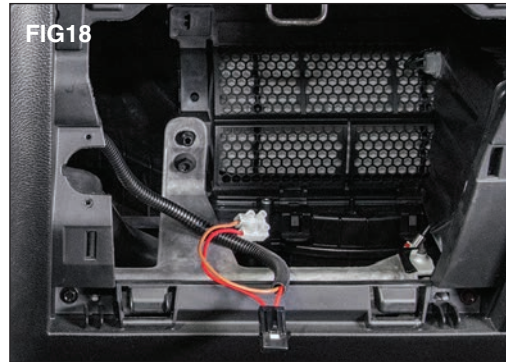


Connect the white connector to the original plug you just disconnected in FIG 15. Connect the gray connector back into the 12v socket. (FIG 16)

LED Lightbar Installation: All Versions



Open the glove box, squeeze in the sides to release the stops (FIG 17) and tilt it down all the way, remove it and set aside.



Route the new harness through the dash and out behind the glove box. (FIG18)

You may now replace all of the dash parts in the reverse order of removal.

Do not re-install the glove box yet.



Open the passenger side door and using a trim clip removal tool gently remove the side dash panel. (FIG 19)



Remove the passenger side sun visor using a T-20 torx driver. (FIG 20)

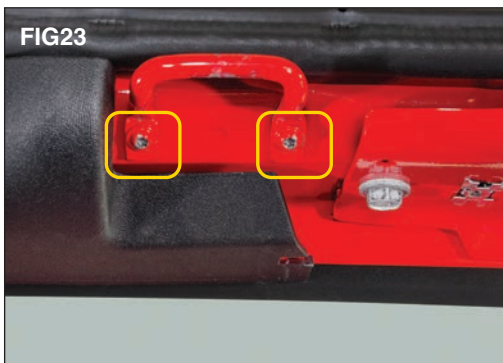
LED Lightbar Installation: All Versions



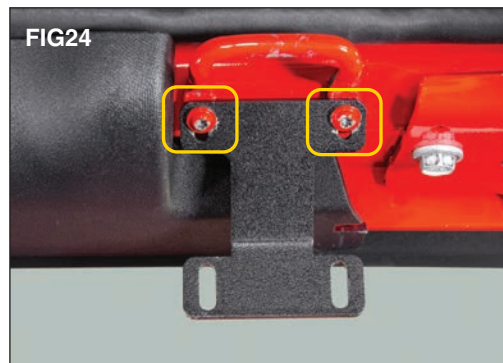
Remove the passenger side a-pillar trim clip using a phillips head screwdriver. (FIG21) Remove the trim panel by pulling downward. It's held into the roll bar by a christmas tree clip.



Remove the lower a-pillar trim by pulling from the top. (FIG 22) There is one clip holding it to the a-pillar.

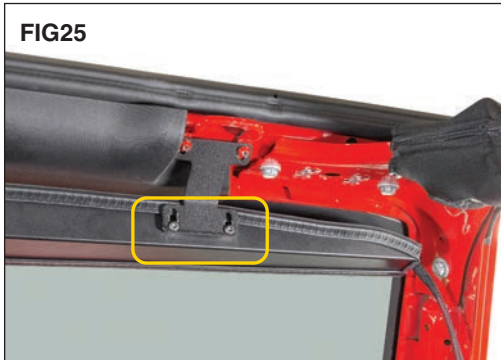


At the top of the windshield frame remove the screws holding in the footman loops using a T-25 torx driver. (FIG 23) Save the hardware.



Re-install the footman loops and supplied light brackets using the original hardware as shown. (FIG 24)

LED Lightbar Installation: All Versions



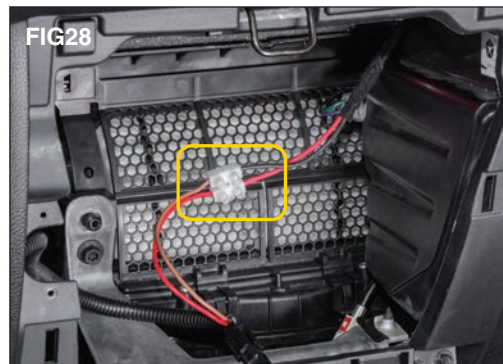
Tilt the light bar into place, careful not to knock off the smaller end gaskets. Loosely attach the light bar to the brackets using the supplied T-25 torx screws. (FIG 25)



Fish the wire through the upper hole in the upper trim panel. (FIG 26)



While holding the upper trim panel, fish the wire through the lower a-pillar trim. (FIG 27) Reinstall the lower trim and then the upper trim to vehicle. Do not forget the phillips head trim clip on the upper panel.



Fish the harness down through the dash and to behind the glove box. Using a flat blade screwdriver connect the light harness to the power tap harness. (FIG 28)

You may now reinstall the glove box and side dash panel in the reverse order.

LED Lightbar Installation: All Versions



While pulling down on the light brackets, tighten the footman loop screws. (FIG 29)



While pushing up on the light bar as much as possible tighten the torx screws into the light bar. (FIG 30)



Installation is now complete.

Stealth light bar is compatible with all rear view mirror variations found in the Wrangler JK.

Quadratec®
The Jeep® Experts

LED Lightbar Use: All Versions



*Observe location of the 3 Position Switch.
See above for the various settings based
on rocker switch position.*



Quadratec[®]
The Jeep[®] Experts

Quadratec® Exclusive Three Year Limited Warranty

Your Quadratec® branded accessories are covered by the following **Limited Warranty** provided exclusively by Quadratec, Inc., 1028 Saunders Lane, West Chester PA 19380.

This **Limited Warranty** is the only warranty made in connection with your purchase. Quadratec neither assumes nor authorizes any vendor, retailer or other person or entity to assume for it any other obligation or liability in connection with this product or **Limited Warranty**. This **Limited Warranty** does not apply and is not cumulative to any accessory or part distributed by Quadratec for which the Manufacturer provides a separate written warranty.

What is Covered: Subject to the terms, exclusions and limitations herein and with respect only to Quadratec branded accessories first sold in the United States, Quadratec warrants to the initial retail purchaser only that your Quadratec accessory shall be free of defects in material and workmanship: **for a period of three (3) years from date of retail purchase.**

This **Limited Warranty** is not assignable and shall terminate upon sale of the vehicle upon which the Quadratec accessory is installed or other transfer third persons.

All other warranties are hereby disclaimed, except to the extent prohibited by applicable law in which case any implied warranty of merchantability or fitness for a particular purpose on this product is limited to 3 year from date of initial retail sale. Quadratec reserves the rights to: (a.) require invoice or other proof your accessory is within the terms of this **Limited Warranty** as a condition of warranty service and, (b.) make future revisions to this product and **Limited Warranty** without prior notice or obligation to upgrade your product.

What is Not Covered:
Your Quadratec **Limited Warranty** does not cover products or parts Quadratec determines to have been damaged by or subjected to:

(a.) installation damage, alteration, modification, combination with other parts, failure to maintain or improper repair or service, (b.) normal wear & tear, cosmetic damage or damage from moisture or water immersion, (c.) Acts of God, accidents, misuse, negligence, inadequate mounting or impact with vehicle(s), obstacles or other aspects of the environment, (d.) theft, vandalism or other intentional damage.

Remedy Limited to Repair/Replacement:
The exclusive remedy provided hereunder shall, upon Quadratec inspection and at Quadratec's option, be either repair or replacement of product or parts (new or refurbished) covered under this Limited Warranty. Customers requesting warranty consideration should first contact Quadratec to obtain a RGA number (610-701-3336). All labor, removal, shipping and installation costs are customer's responsibility.

Other Limitations - Exclusion of Damages - Your Rights Under State Law:

In consideration of the purchase price paid, neither Quadratec nor any independent Quadratec distributor/licensee are responsible for any time loss, rental costs, or for any incidental, consequential, punitive or other damages you may have or incur in connection with any part or product purchased. Your exclusive remedy hereunder for covered parts is repair/replacement as described above.

This **Limited Warranty** gives you specific rights. You may also have other rights that vary from state to state. For example, some states do not allow limitations of how long an implied warranty lasts and /or do not allow the exclusion or limitation of incidental or consequential damages, so the limitations and exclusions herein may not apply to you.

©Quadratec, Inc. 2020. All Rights Reserved.
LTR Version 4.9.20

Instructions Part #12999.3164

