



Universal 60A 8 LED Light Controller



This product is a professional, remote controlled wire management system. It is designed for operating accessories typically used on off-road vehicles (e.g. trucks, Jeeps, UTVs, boats, heavy equipment, farm equipment, etc.) like lights, horns, warning beacons, and more.

Operating voltage is 12/24V DC and provides output to two banks of wiring terminals, four terminals per bank. Power input is protected by an independent 60A fuse.

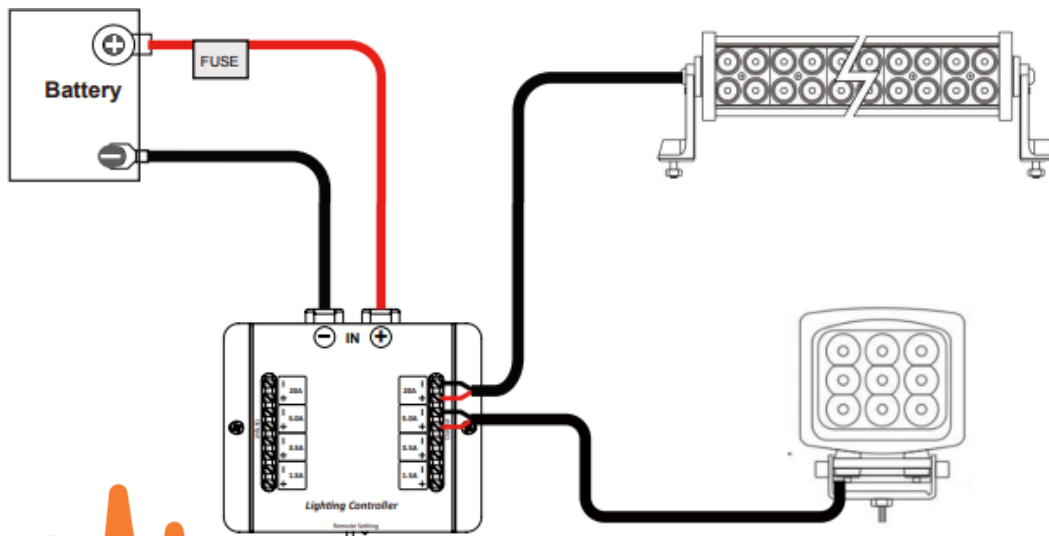
The wireless remote can be conveniently stored within the vehicle for easy access. If the remote control is ever lost or broken, it can be replaced with a new remote which can be paired with the controller.



WARNING: Please make sure to securely connect your devices to the correct wiring terminals. Failure to do so can cause current overload that may lead to product failure.

Specifications:

Standard design	10~30V DC; MAX 60A
Working voltage	12~24V DC
Input low voltage protection	9V+-0.5 DC
Max output current	60A
Fuse	60A
Remote controller battery ,UL certificate	CR2025



TO OPERATE: Press and hold reset button for 5 seconds.
When light starts flashing, press any button on remote to sync.



— LIGHT UP THE DARKNESS —