



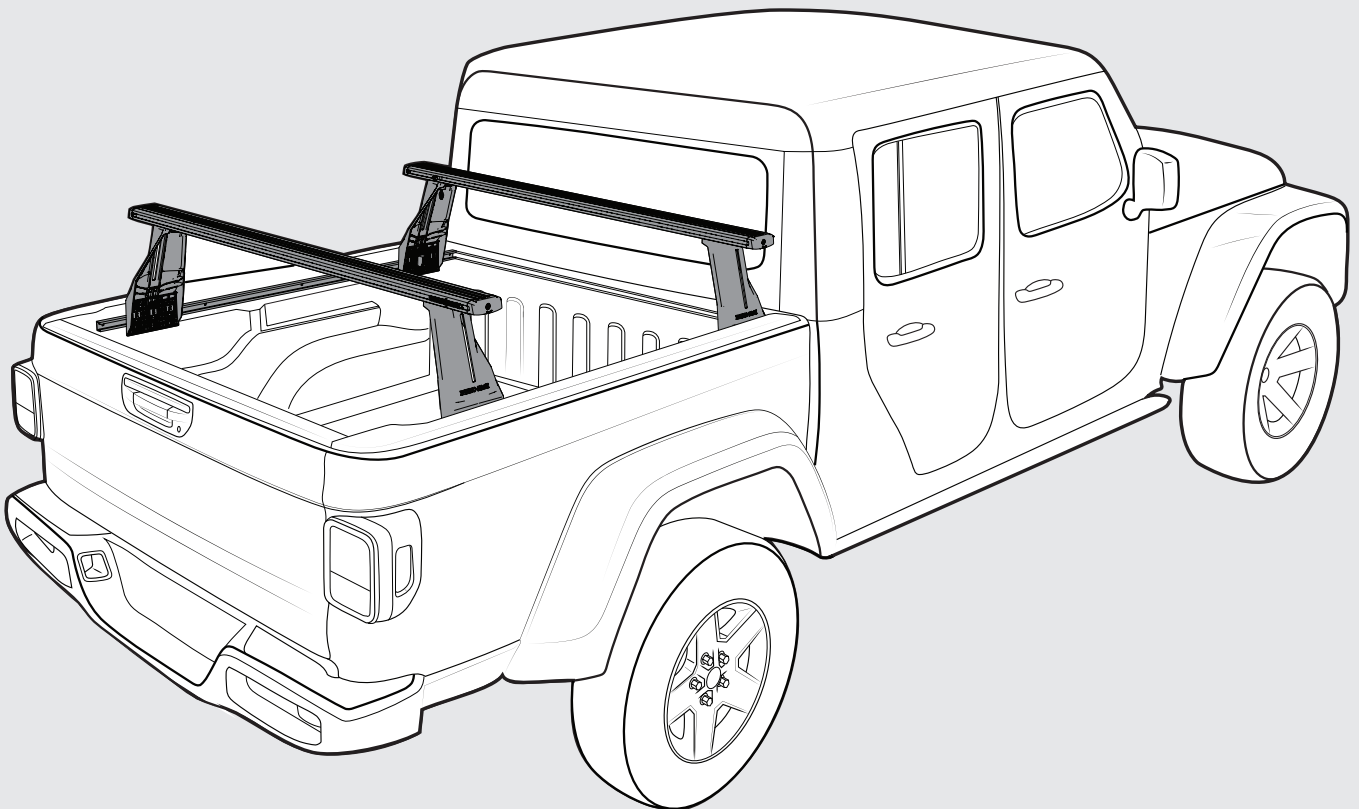
RHINO-RACK®

Reconn-Deck Tower Instructions RDT2, RDT4

Important:

1. Check the Rhino-Rack website to ensure you have the latest issue of these instructions.
2. Please refer to your fitting instruction to ensure that the roof racks are installed in the correct locations.
3. Check the contents of kit before commencing fitment and report any discrepancies.
4. Place these instructions in the vehicle's glove box after installation is complete.
5. These instructions must be followed for warranty to be upheld.

Fit Time: 1 hour



Rhino-Rack AUSTRALIA
22A Hanson Pl,
Eastern Creek, NSW, 2766
(02) 8846 1900
rhinorack.com.au

Rhino-Rack USA
Unit D, 2450 Airport Blvd,
Aurora, CO, 80011
877-744-6622
rhinorack.com

Rhino-Rack CANADA
19100 Airport Way
Pitt Meadows, BC V3Y 0E2
rhinorack.ca

Doc. No: 520-RFI-00017
Issue No: 01
Issue Date: 29/06/2021

RDT Instructions

Carrying Capacity

Max system load capacity:

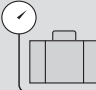
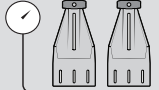
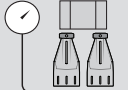
Check your vehicle owners hand book for vehicle maximum carrying capacity. Please ensure you use the vehicle manufacturer's maximum load allowance if it is lower than the figure listed in this instruction. Refer to your vehicle specific fitting supplement as the load limit varies between each system.

Load must be evenly distributed over the system.

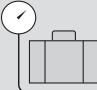
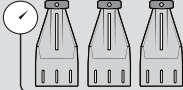
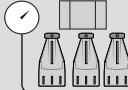
Custom fit load rating guide:

If you are assembling a custom configuration not listed by Rhino Rack, ensure you include the total system weight into the vehicle load limit/total allowance. Use the below as a guide to calculate the cargo allowance.

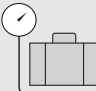
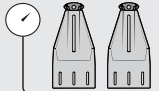
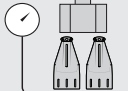
2 Tower Recon-Deck Bar

		
CARGO ALLOWANCE	SYSTEM WEIGHT	TOTAL ALLOWANCE
Up to 134.5kg / 295lbs	+ 16kg / 35lbs	= Up to* 150kg / 330lbs

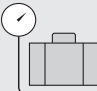
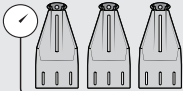
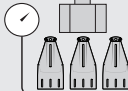
3 Tower Recon-Deck Bar

		
CARGO ALLOWANCE	SYSTEM WEIGHT	TOTAL ALLOWANCE
Up to 126kg / 277lbs	+ 24kg / 53lbs	= Up to* 150kg / 330lbs

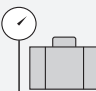
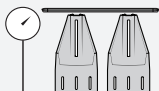
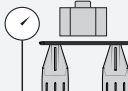
2 Tower Vortex Bar

		
CARGO ALLOWANCE	SYSTEM WEIGHT	TOTAL ALLOWANCE
Up to 88.5kg / 195lbs	+ 11.5kg / 25lbs	= Up to* 100kg / 220lbs

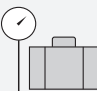
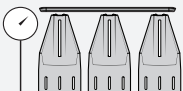
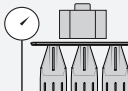
3 Tower Vortex Bar

		
CARGO ALLOWANCE	SYSTEM WEIGHT	TOTAL ALLOWANCE
Up to 82.5kg / 181.5lbs	+ 17.5kg / 38.5lbs	= Up to* 100kg / 220lbs

2 Tower Pioneer Platform

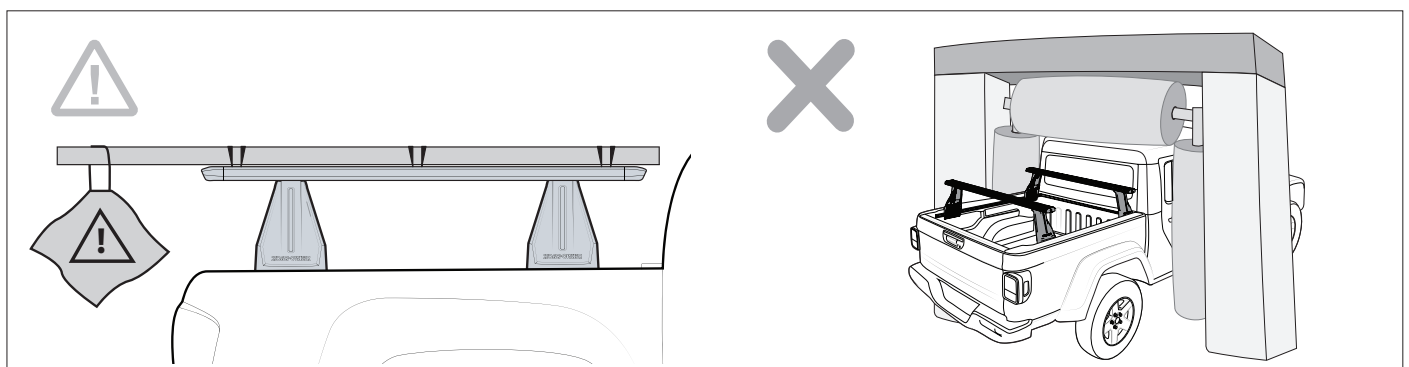
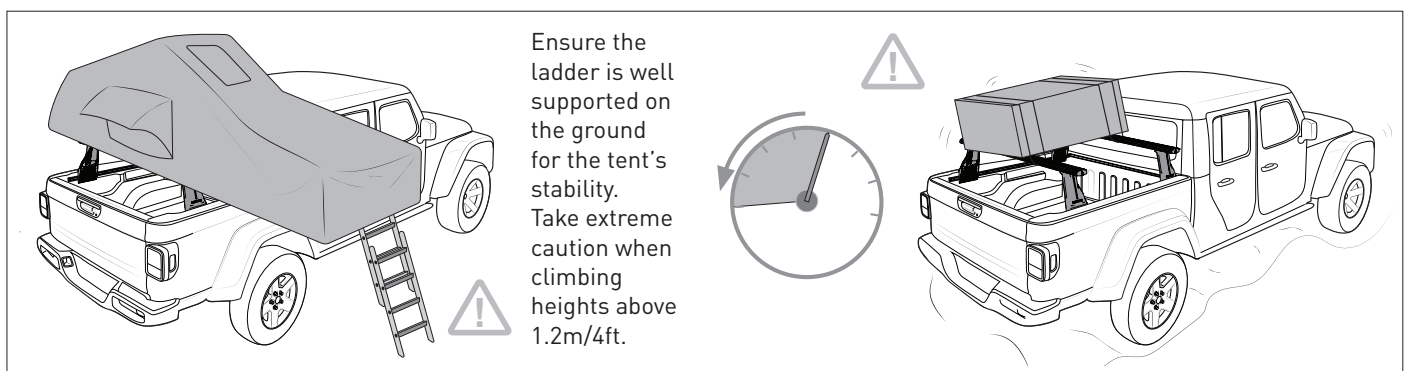
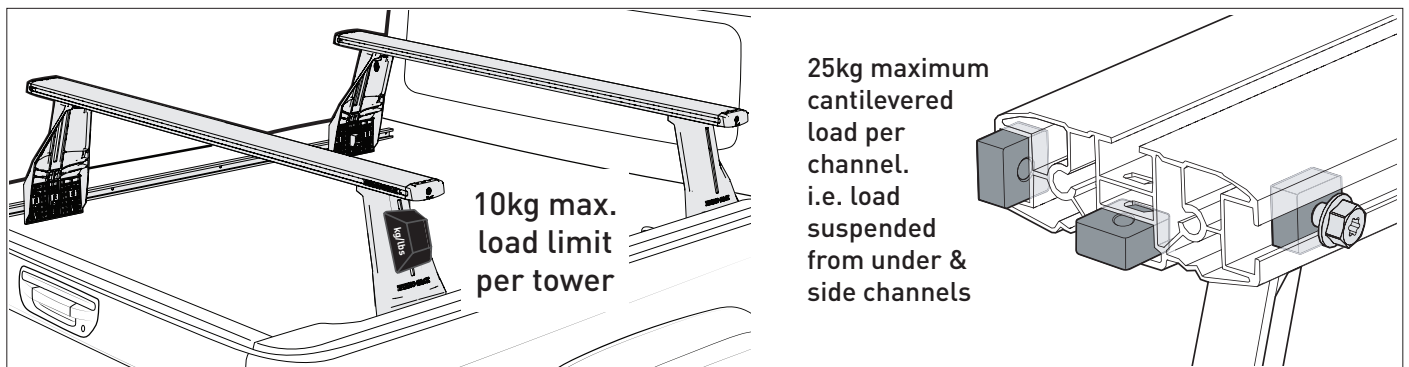
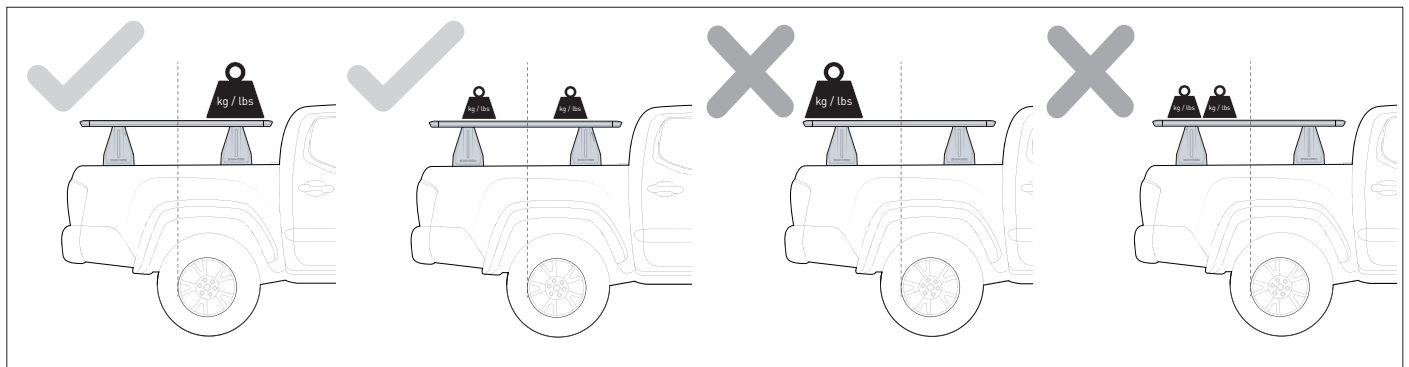
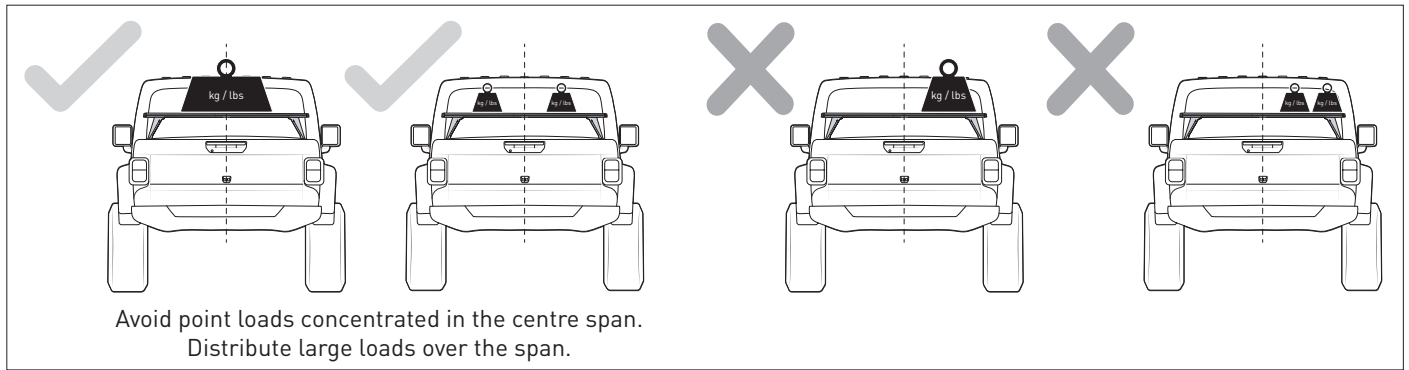
		
CARGO ALLOWANCE	SYSTEM WEIGHT	TOTAL ALLOWANCE
Up to 93kg / 205lbs	+ 27kg / 60lbs	= Up to* 120kg / 265lbs

3 Tower Pioneer Platform

		
CARGO ALLOWANCE	SYSTEM WEIGHT	TOTAL ALLOWANCE
Up to 89kg / 196.5lbs	+ 31kg / 68.5lbs	= Up to* 120kg / 265lbs

* USE THE VEHICLE MANUFACTURER'S MAXIMUM LOAD ALLOWANCE IF IT IS LOWER THEN THE FIGURE LISTED, AND THEN RE-CALCULATE THE CARGO ALLOWANCE

RDT Instructions



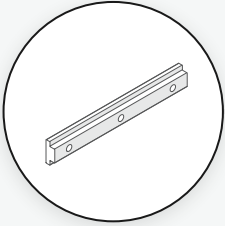
RDT Instructions

System Components

To complete the Reconn-Deck system you will need the base, tower & bar kits (accessories are recommended)

RECONN-DECK SYSTEM COMPONENTS

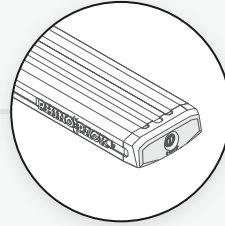
BASE



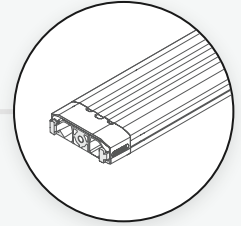
TOWER



BAR



ACCESSORY



Warning

- Check part number or kit is correct for use with your vehicle.
- Do not attempt to fit system to your vehicle unless you fully understand these fitting instructions. Please direct any questions regarding fitting to the dealer from where it was purchased from.
- Off-road conditions can be rigorous. Extreme care must be taken on any driven path that does not contain a surface protection layer.
- Always ensure you fasten your load securely.
- Use only non-stretch fastening ropes or straps to attach cargo to your load.

In Service Maintenance Checks

- All bolted connections should be checked after driving a short distance after installation.
- All bolted connections should be checked again at regular intervals (every 1000k (621mi) is recommended, depending on road conditions, usage, loads and distances travelled). All bolted connections should also be checked each time they are re-fitted.
- All bolted connections should be checked each time they are re-fitted.
- Off-road conditions are more rigorous. Check all bolted connections and your load more regularly.
- Ensure that your vehicle manufacturer's GVM, and gross axle weights are not exceeded (refer to vehicle owner's manual).

Torque Settings

Unless stated otherwise in these instructions, all fasteners should be set to the following torque settings -

M6: 4-5Nm (3-4lbs/ft),

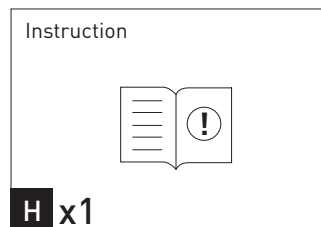
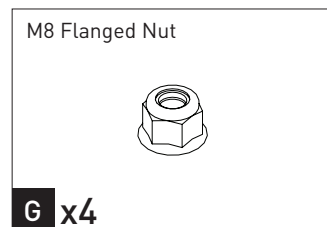
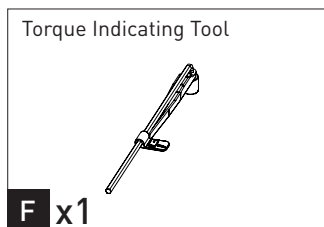
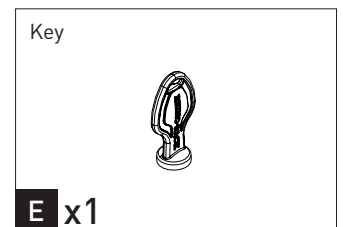
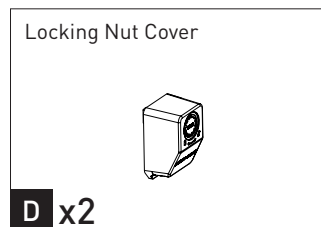
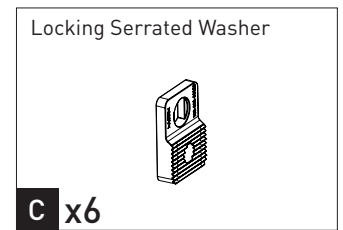
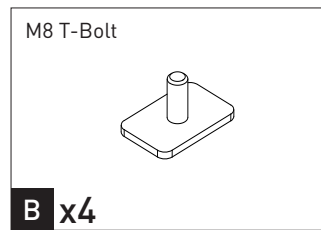
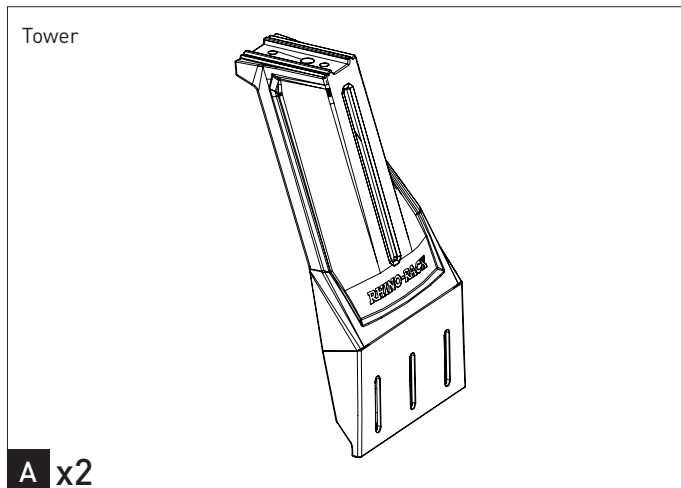
M8: 8-10Nm (6-7.5lbs/ft) and

M10: 16-18Nm (12-13lbs/ft).

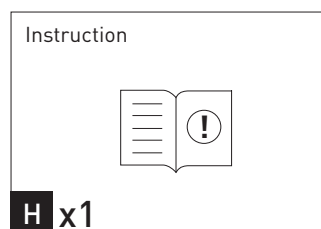
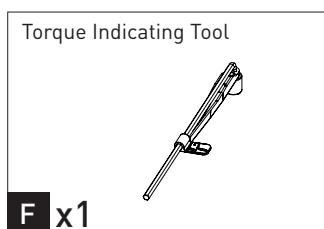
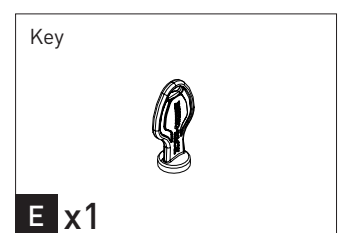
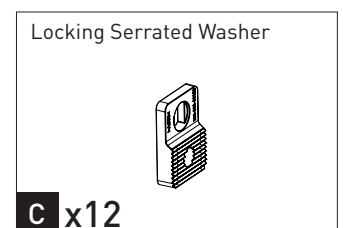
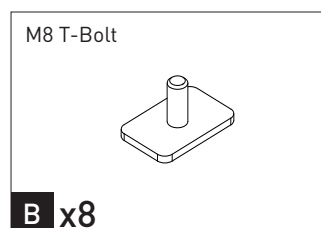
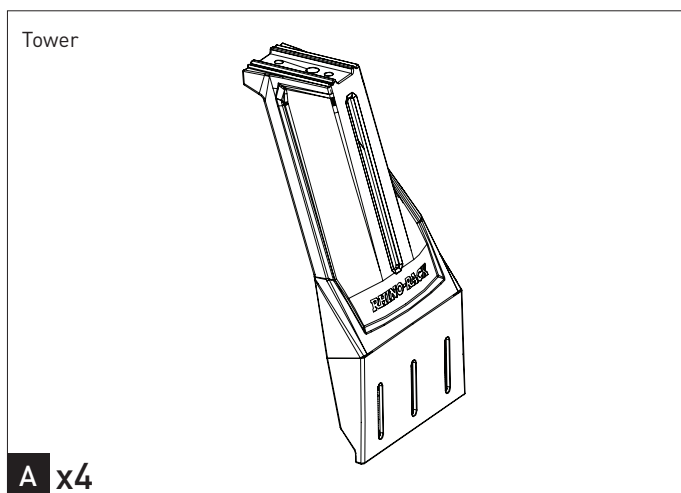
Note for Dealers and Fitters

It is your responsibility to ensure these fitting instructions are given to the end user or client. These instructions remain the property of Rhino-Rack Australia Pty. Ltd. and may not be used or changed for any other purpose than intended.

TOWER RDT2 Parts List



TOWER RDT4 Parts List

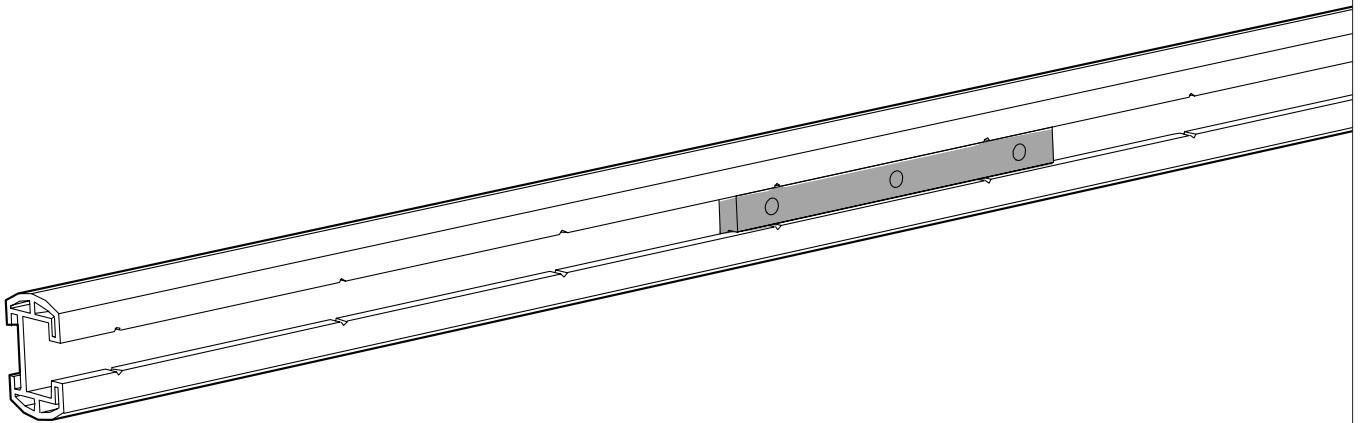


Tools Required

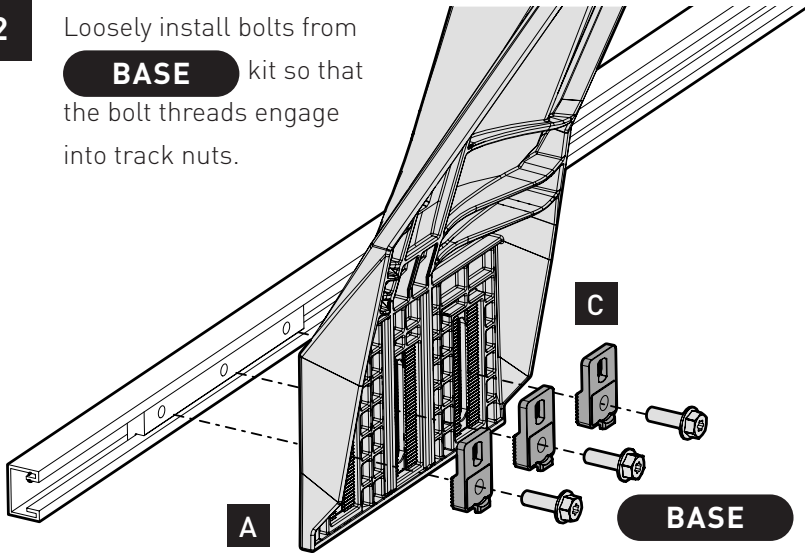
T1 - Tape Measure

T2 - Side cutters/Scissors

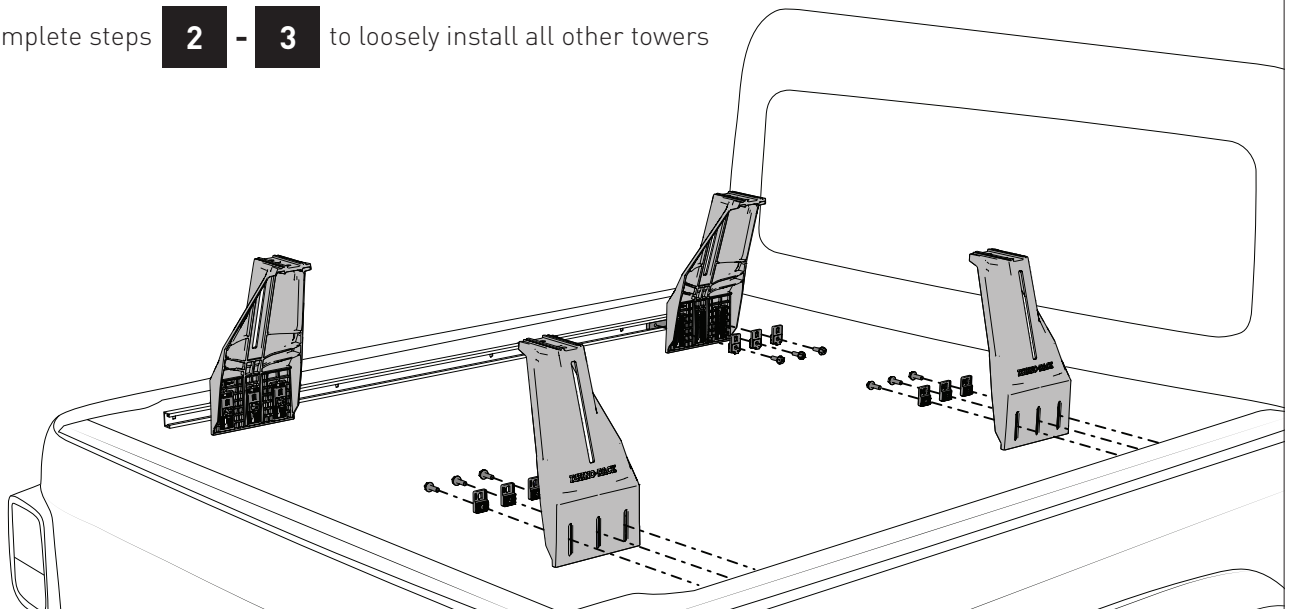
1 **A#** OF **BASE** INSTALLED INTO TRACK



2 Loosely install bolts from **BASE** kit so that the bolt threads engage into track nuts.



3 Complete steps 2 - 3 to loosely install all other towers



4

Adjust the towers to recommended tower positions. Tower positions vary depending on your vehicle & the bed rack system. When installing:

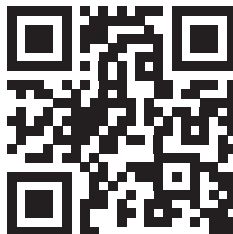
- PIONEER PLATFORM:**

Refer to your vehicle's fit chart for it's recommended tower positions.

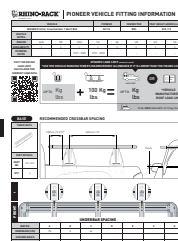
Continue installation instructions only skipping step **7**



rhinorack.com/roof



EXAMPLE ONLY



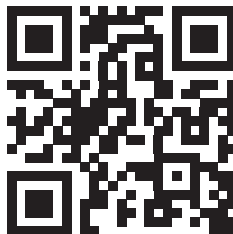
- VA BAR/RECONN-DECK BAR:**

Refer to your vehicle's fitting supplement sheet for it's recommended tower positions.

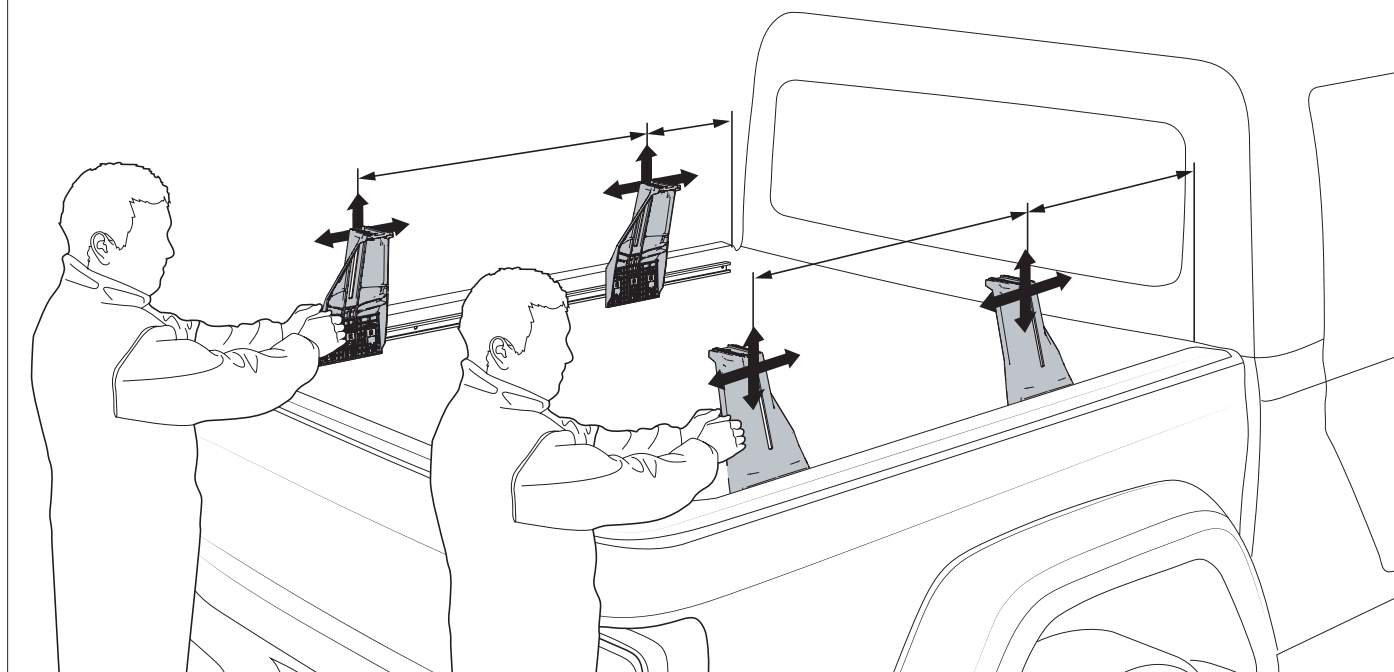
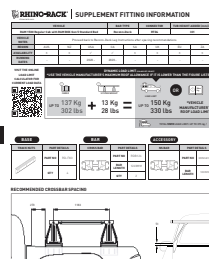
Continue installation instructions only skipping step **6**



rhinorack.com/roof



EXAMPLE ONLY



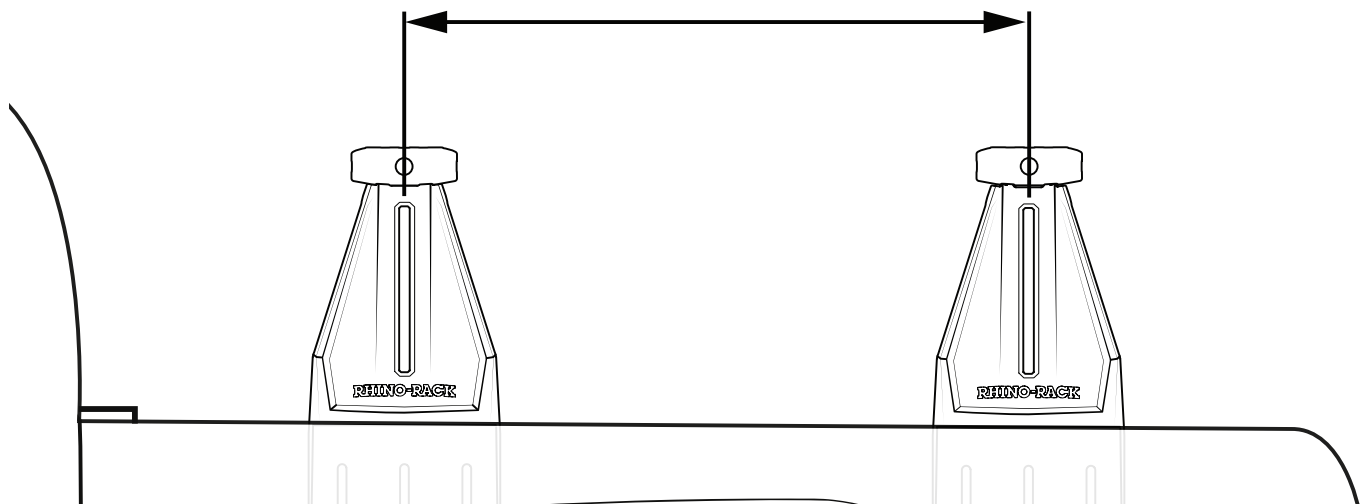
4a

MINIMUM & MAXIMUM TOWER SPACING GUIDE:

If there is not a recommended tower position for your vehicle use the following

2 BAR

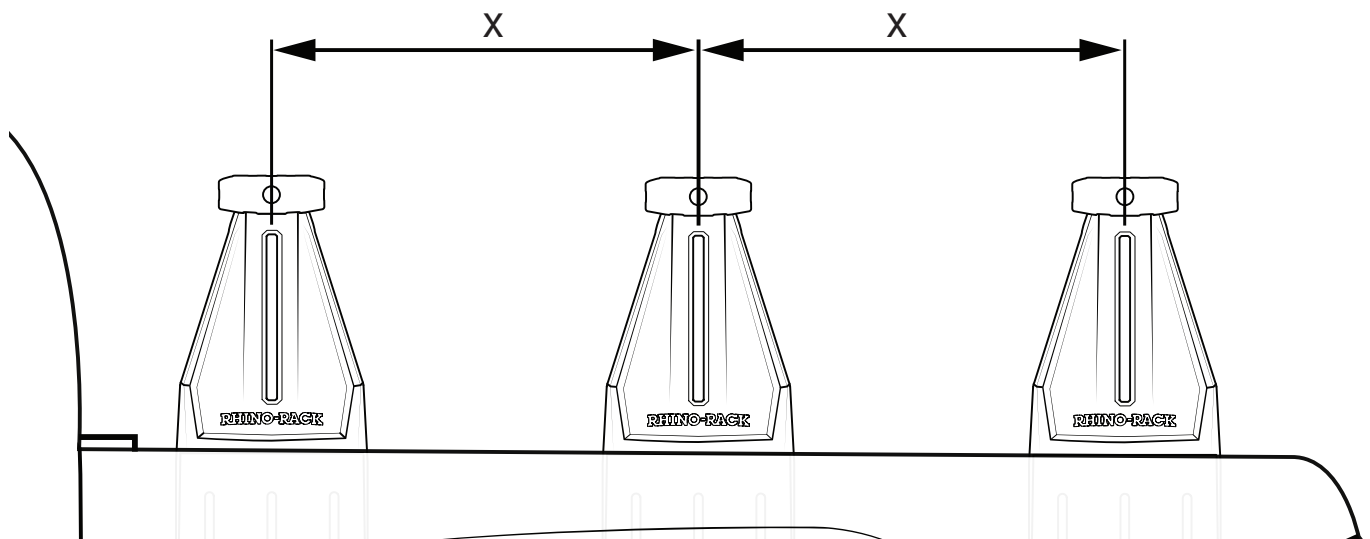
MIN.	680mm / 26.7in
MAX.	1180mm / 46.5in



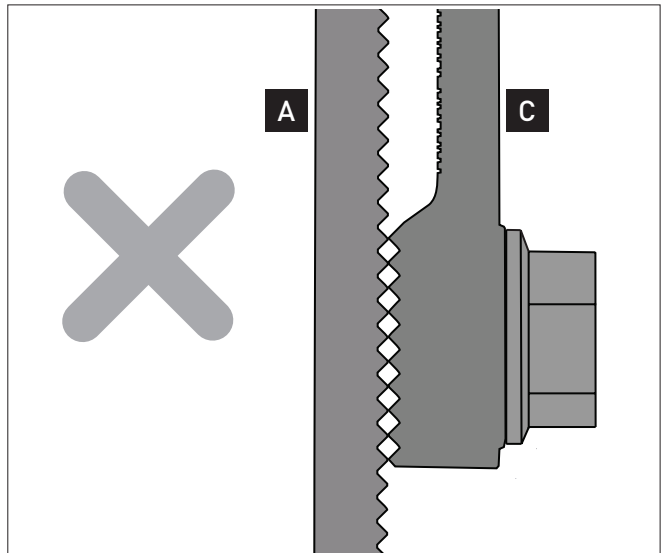
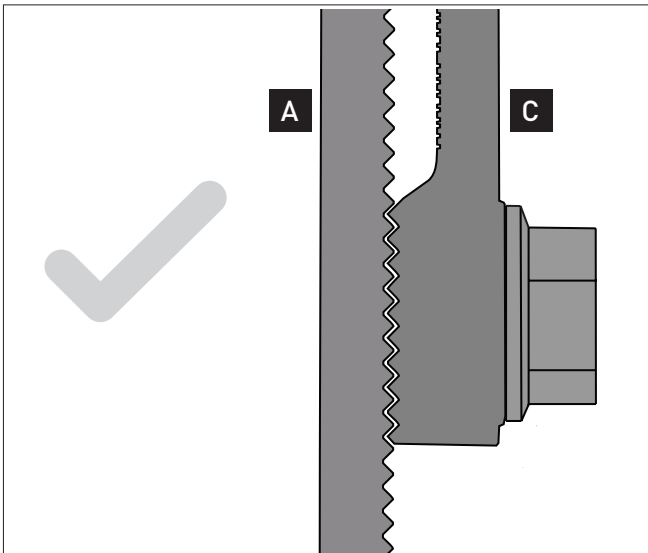
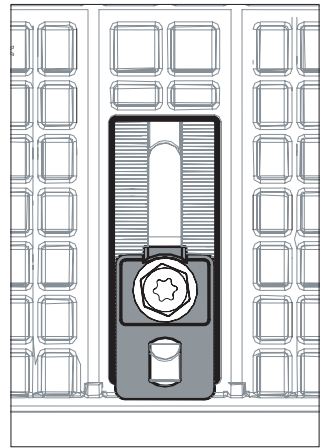
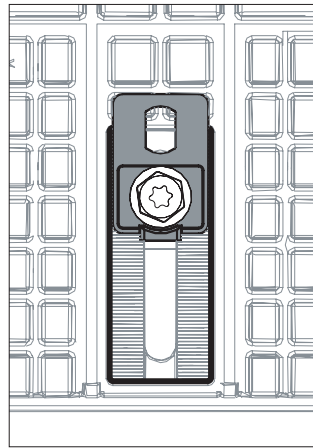
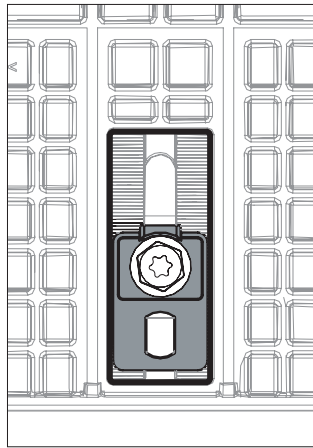
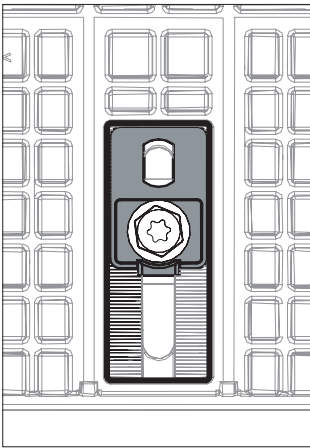
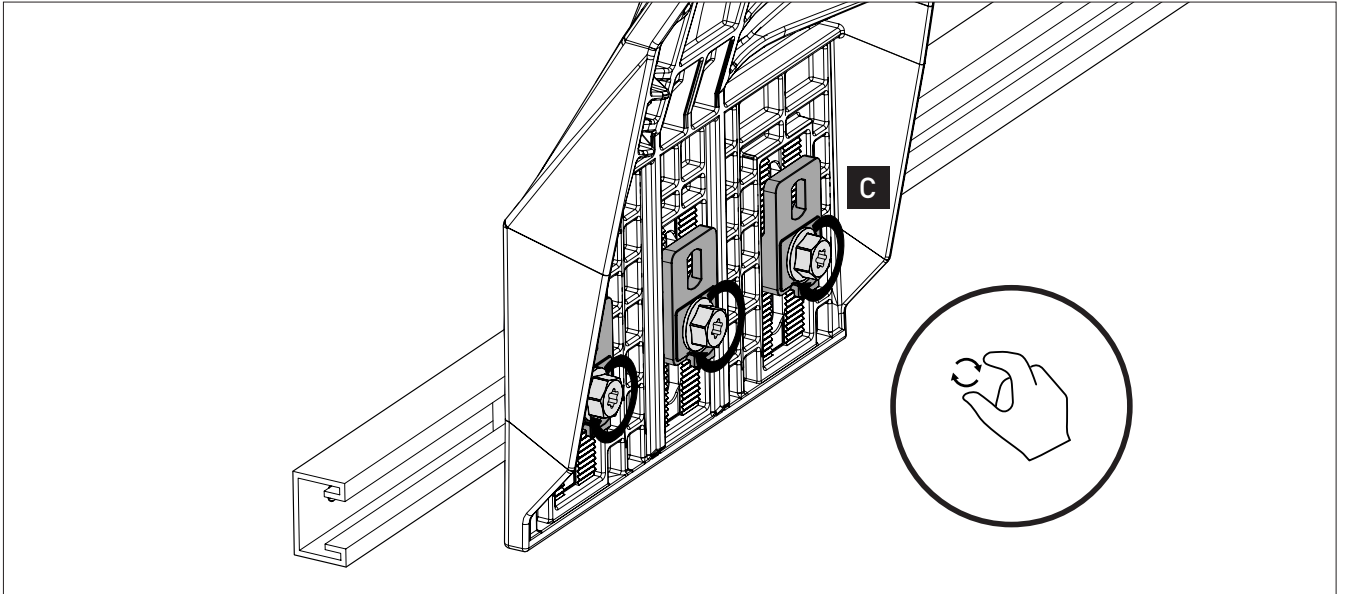
3 BAR

MIN.	450mm / 17.7in
------	----------------

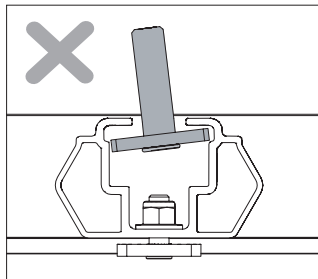
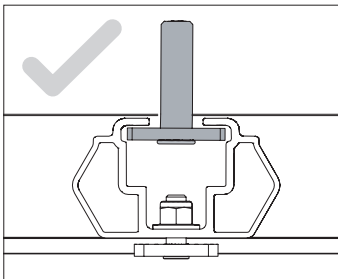
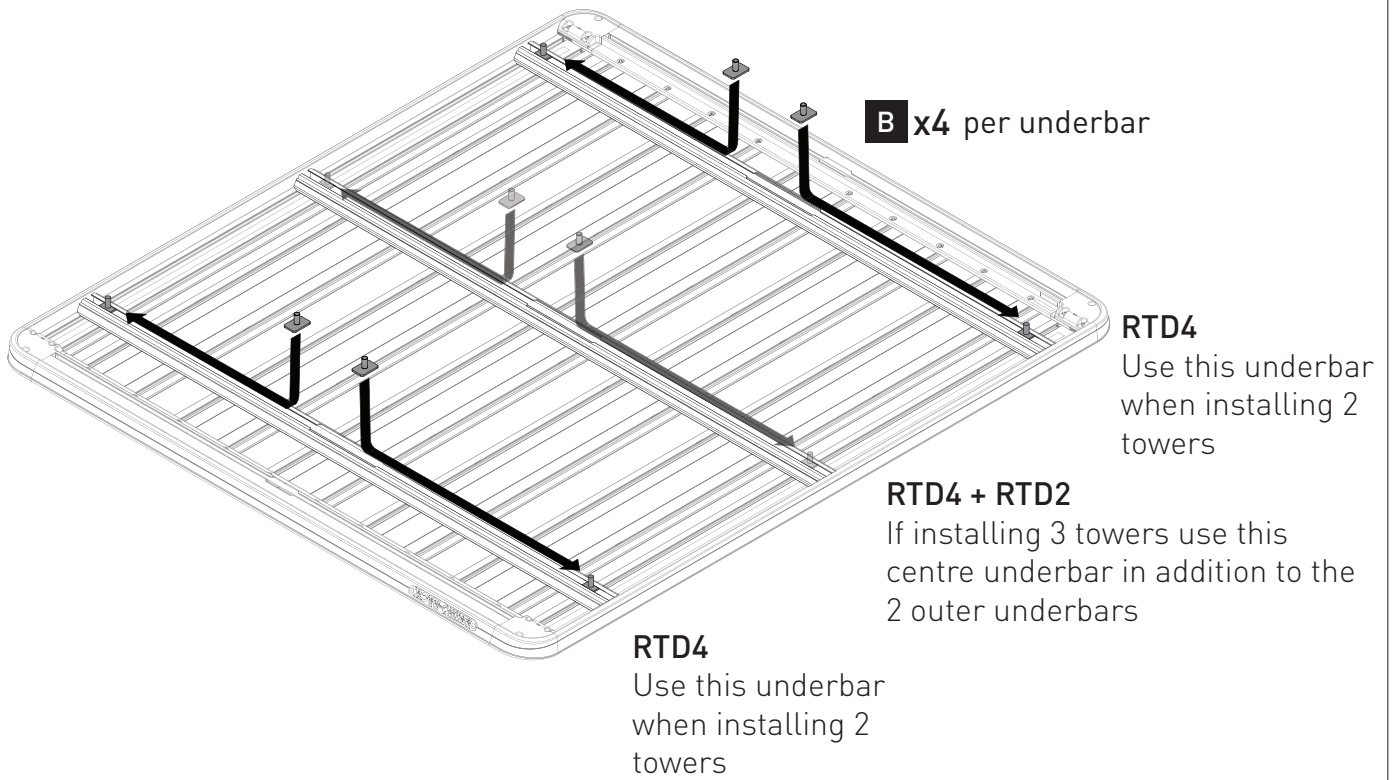
Load must be distributed evenly across all towers.
Load must be tied down across each crossbar.



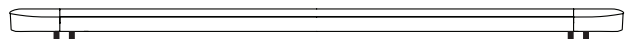
- 5 Finger tighten all bolts down to hold towers in position. Check Locking Serrated Washer's **C** are seated correctly (refer bottom image).



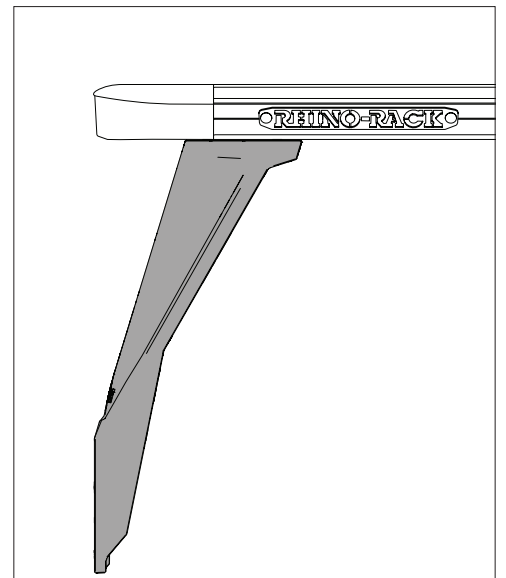
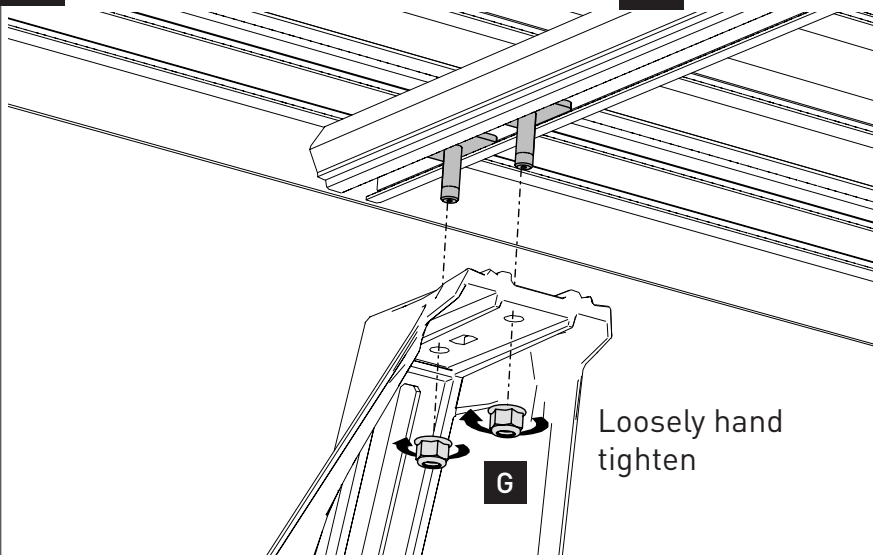
6a PIONEER PLATFORM INSTALLATION



FRONT VIEW



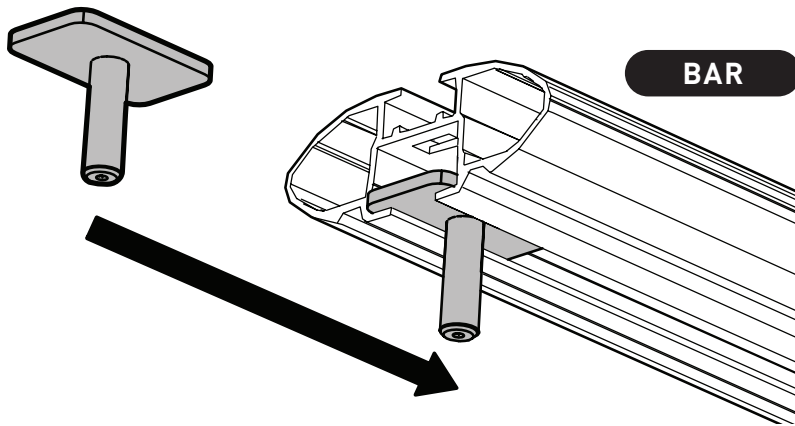
6b Repeat to opposite side then continue to Step **8**



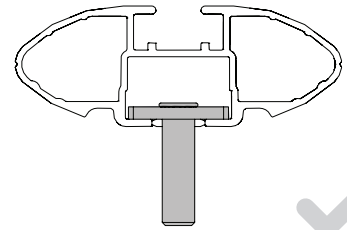
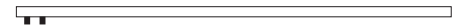
7a VA BAR/RECONN-DECK BAR INSTALLATION

VA CROSSBAR

B x2

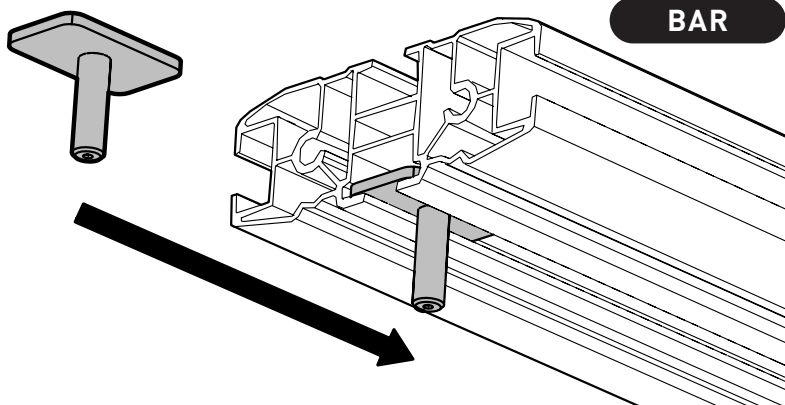


FRONT VIEW

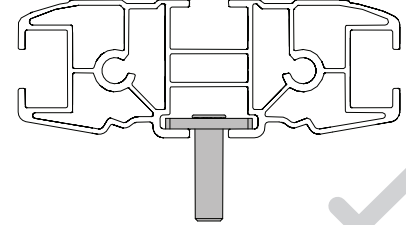


RECONN-DECK BAR

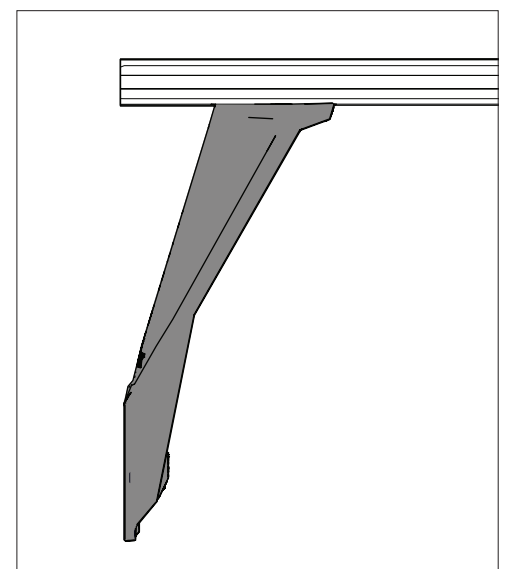
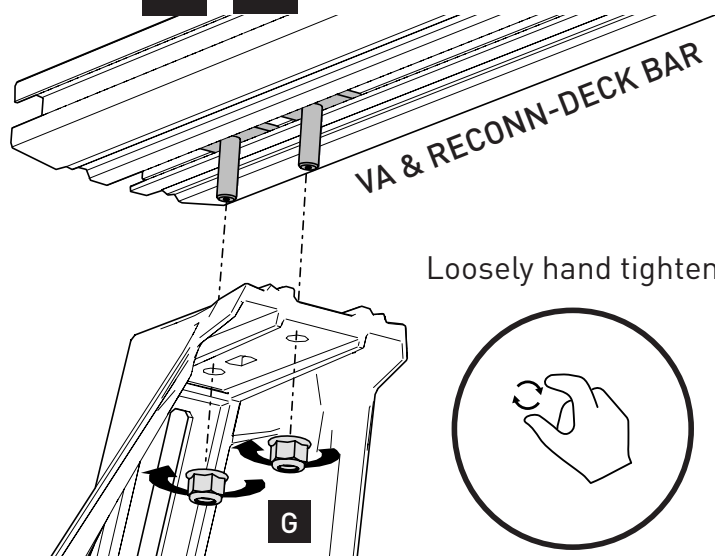
B x2



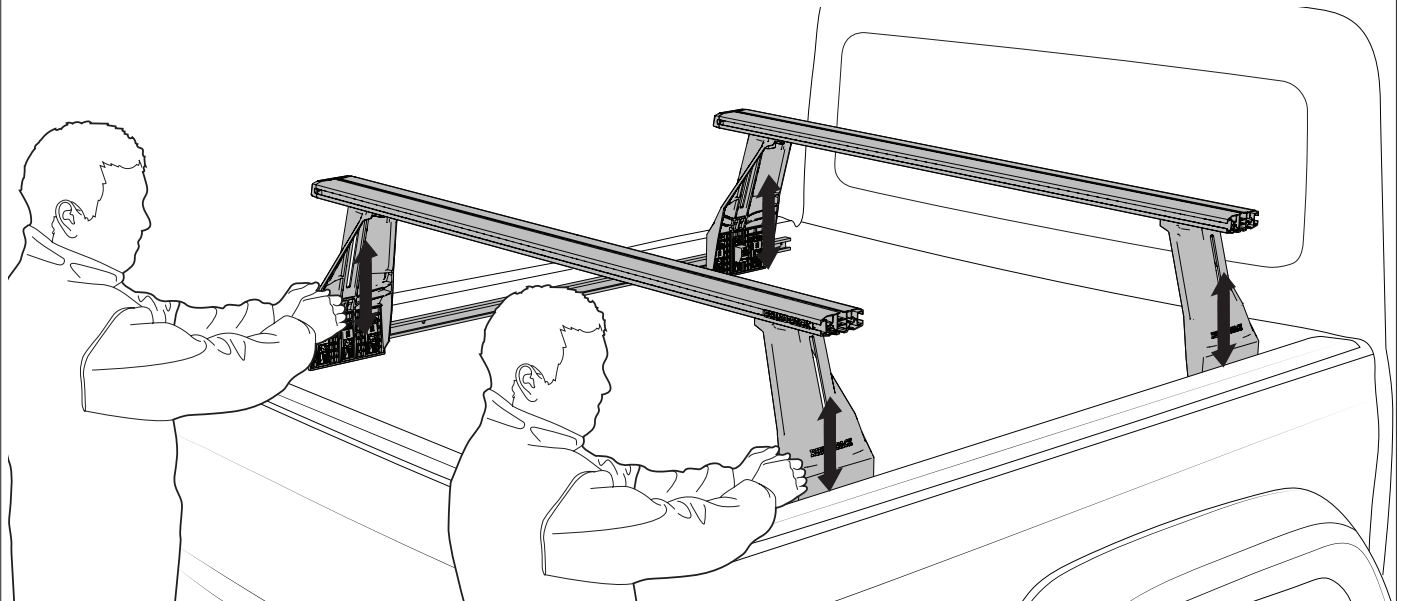
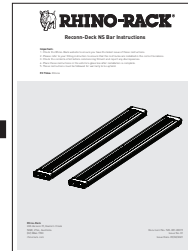
FRONT VIEW



7b Repeat Steps **7a** - **7b** to opposite side

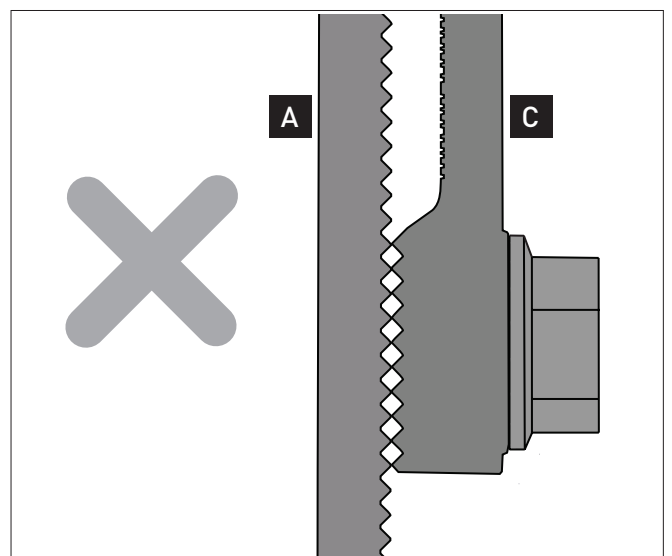
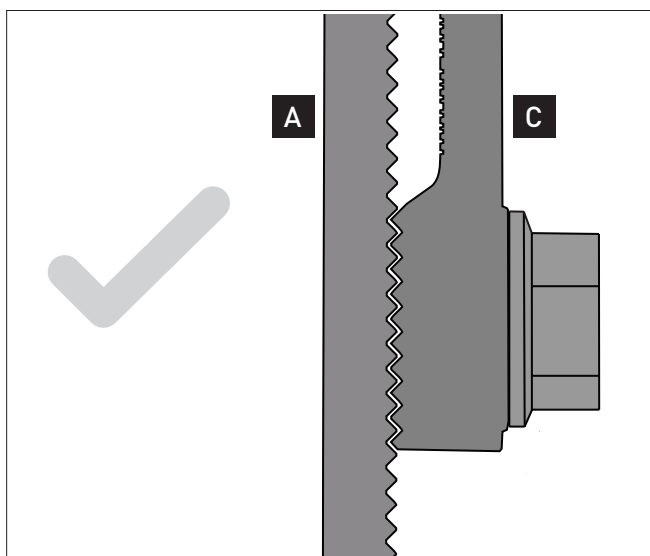
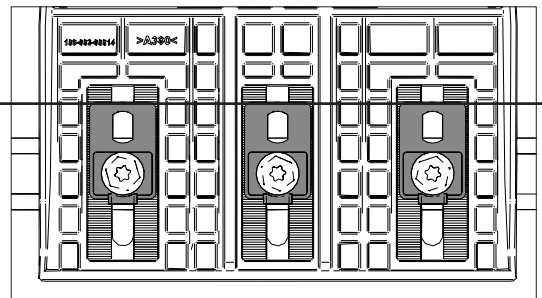
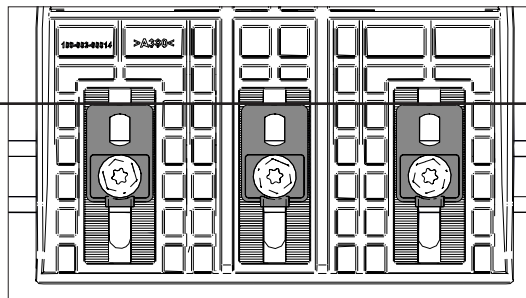
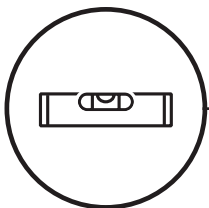


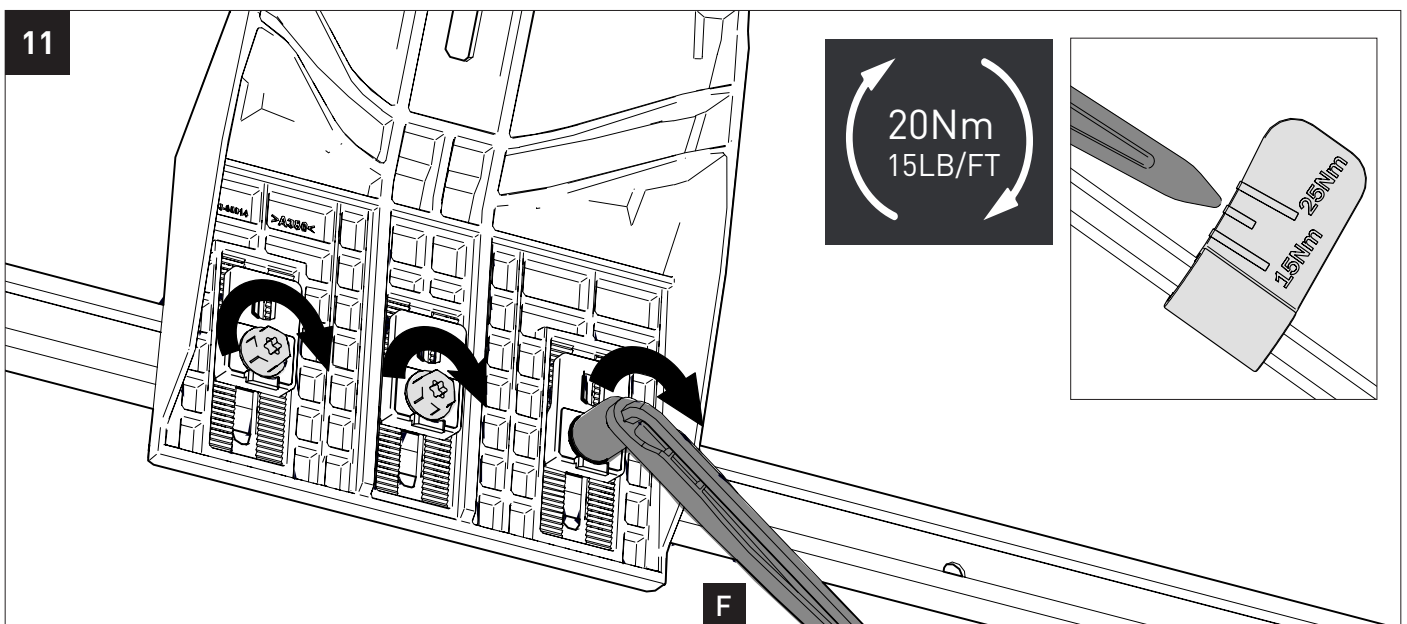
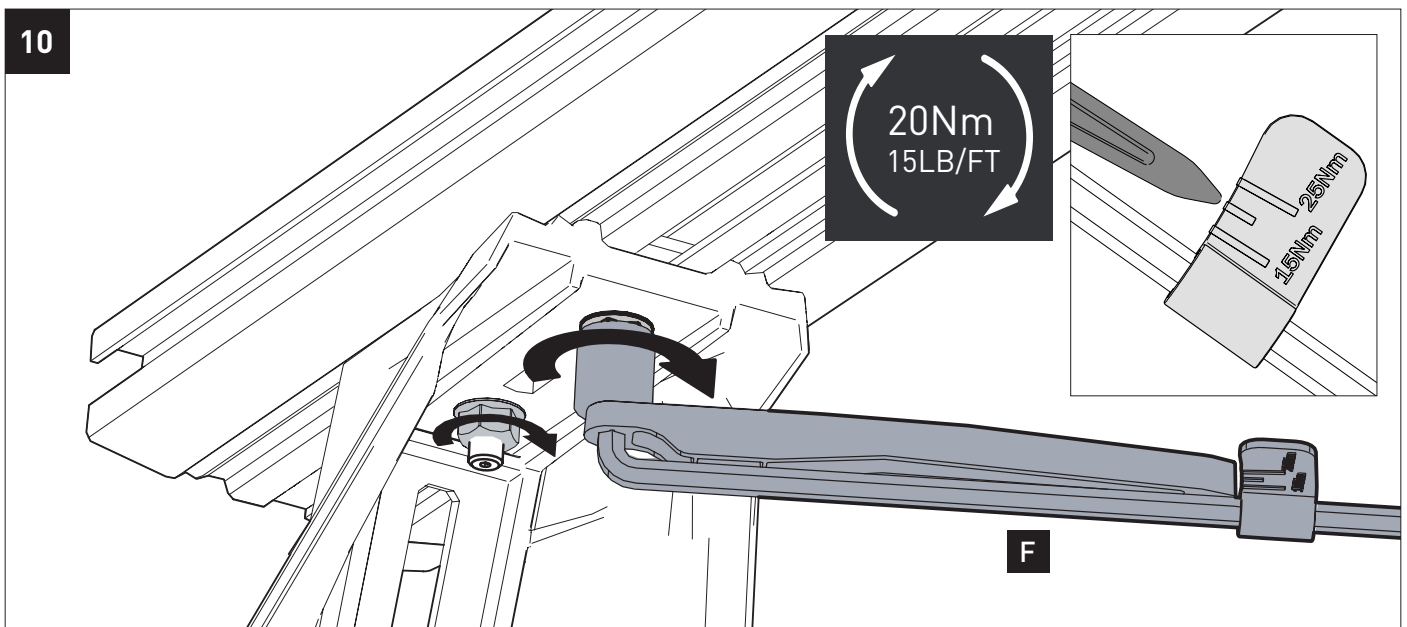
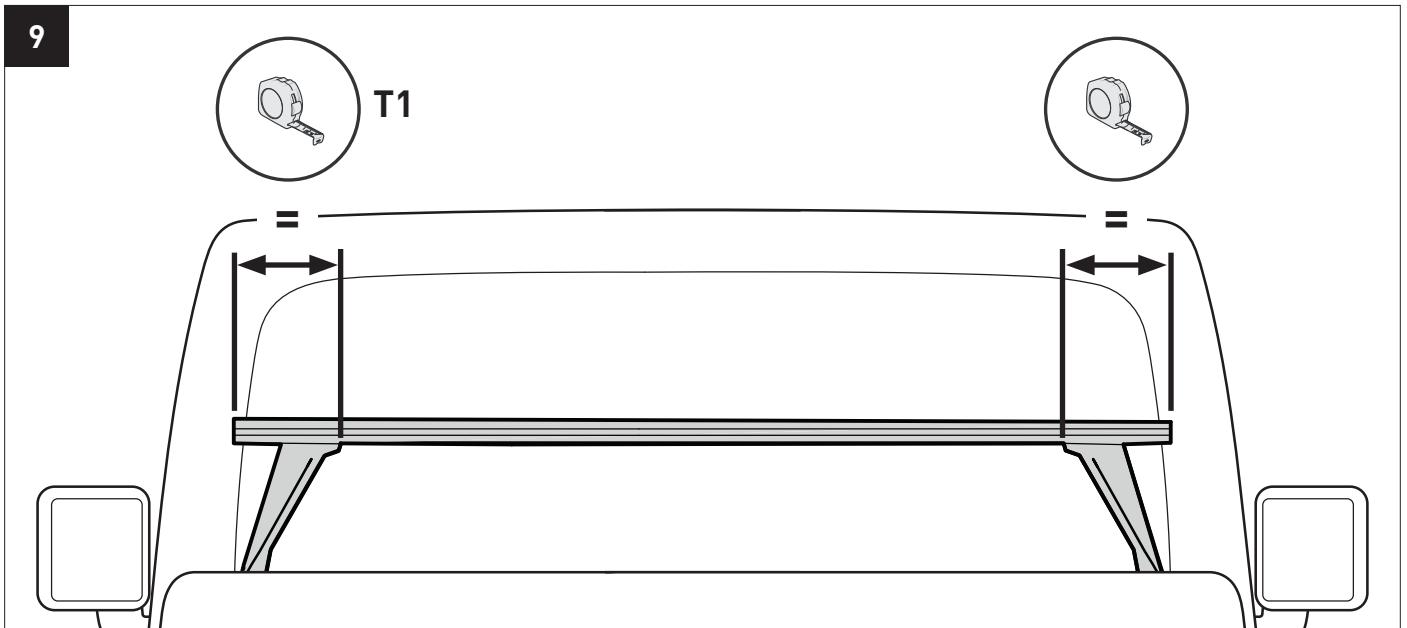
- 8** Check towers are at correct height and Locking Serrated Washers **C** are correctly engaged. If installing Reconn-Deck NS Bars skip this step and proceed to its' installation instruction.

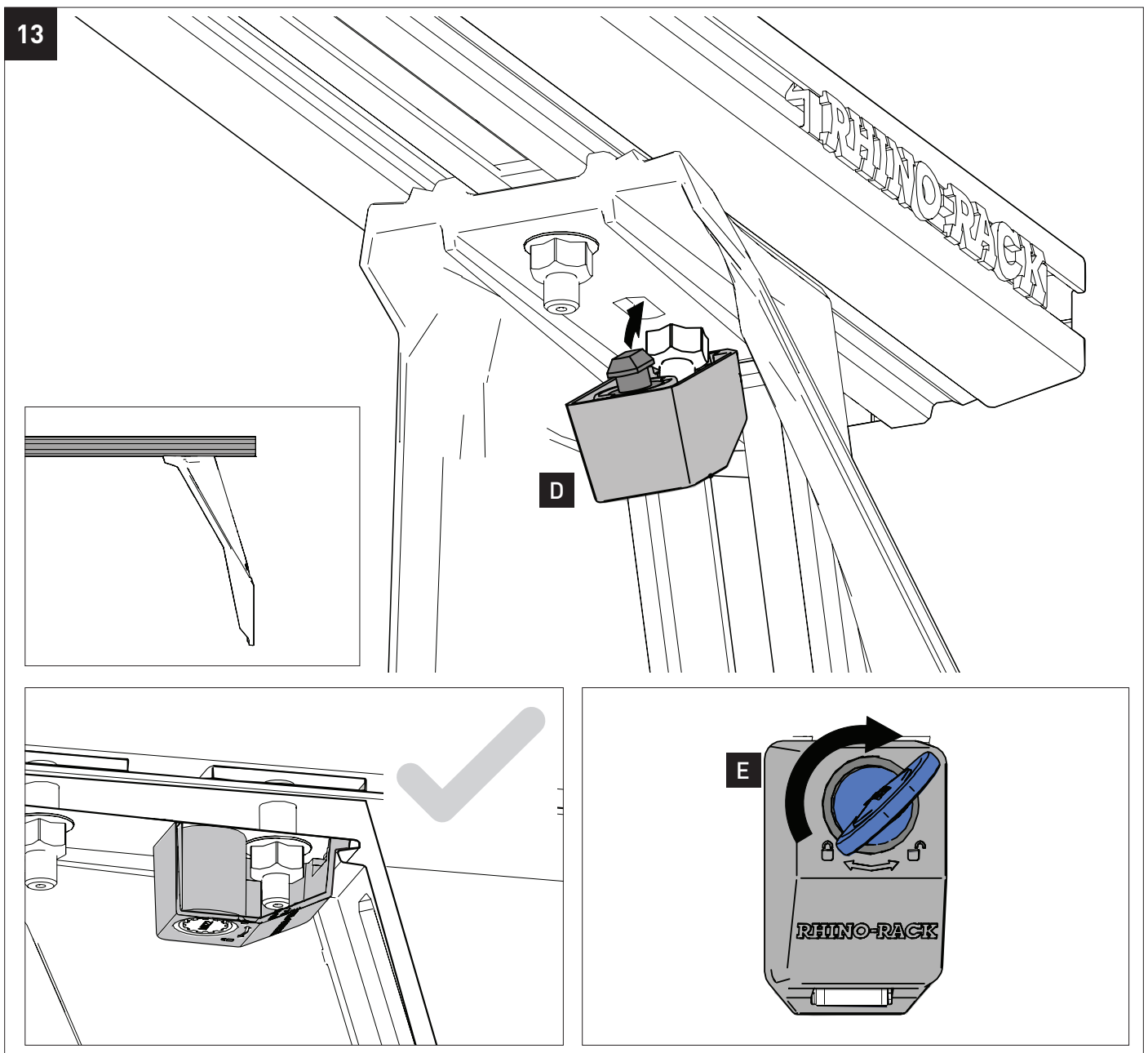
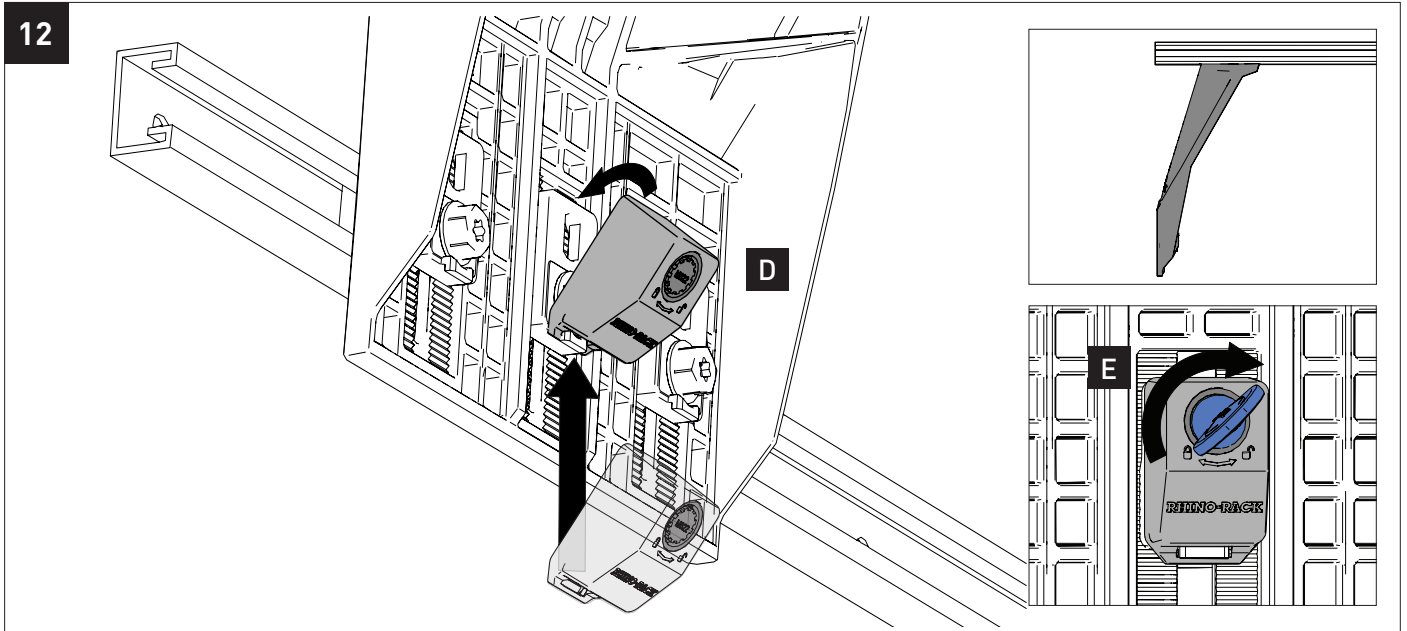


LH

RH

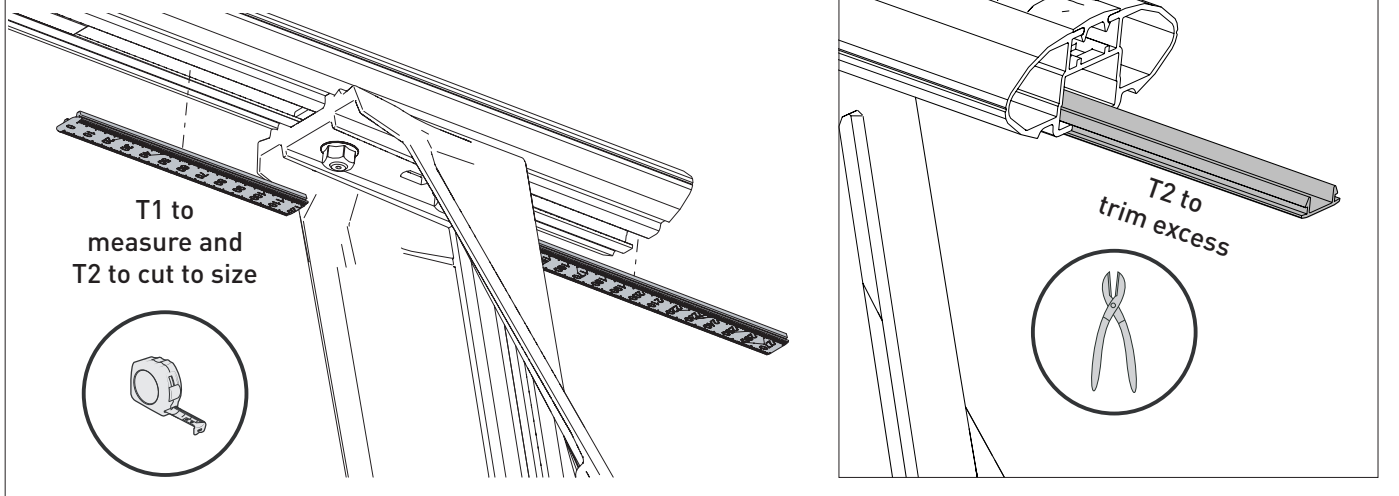




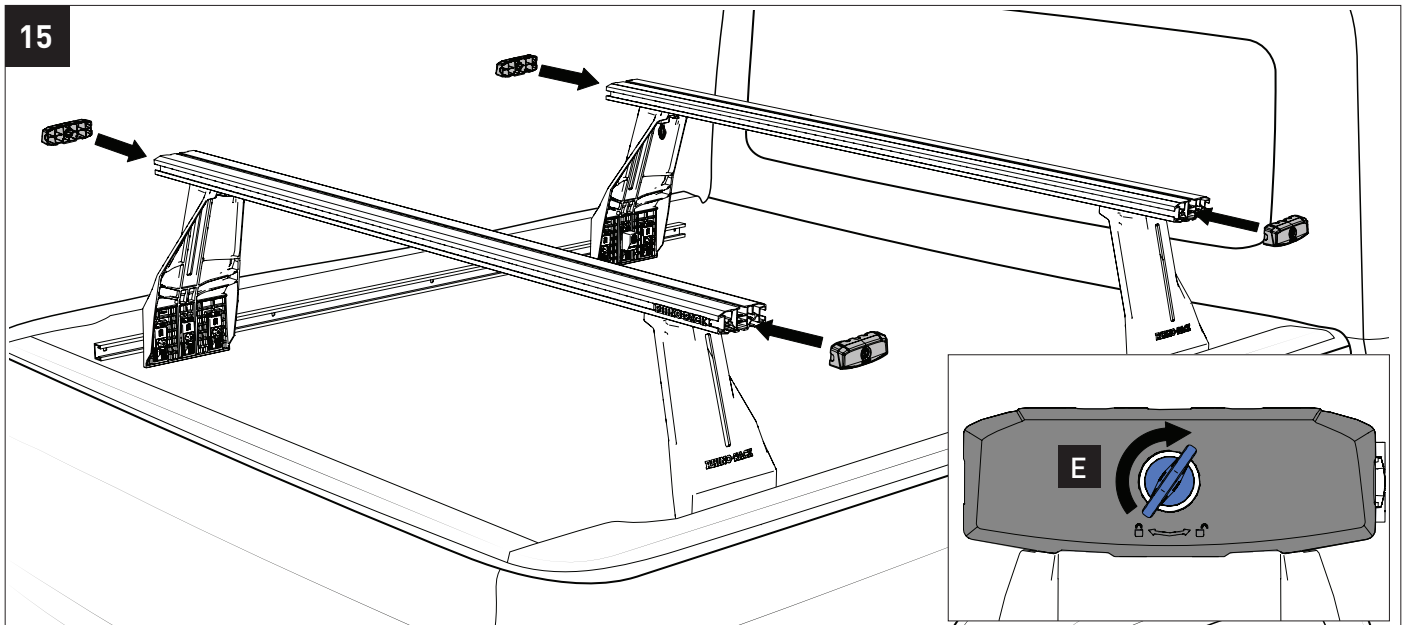


14 VA BAR ONLY

Insert measure strips to underside of all VA bars



15



16

